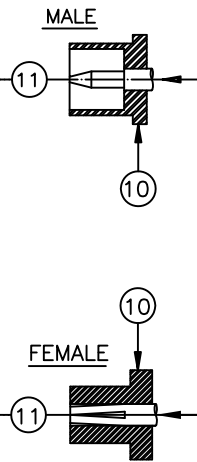


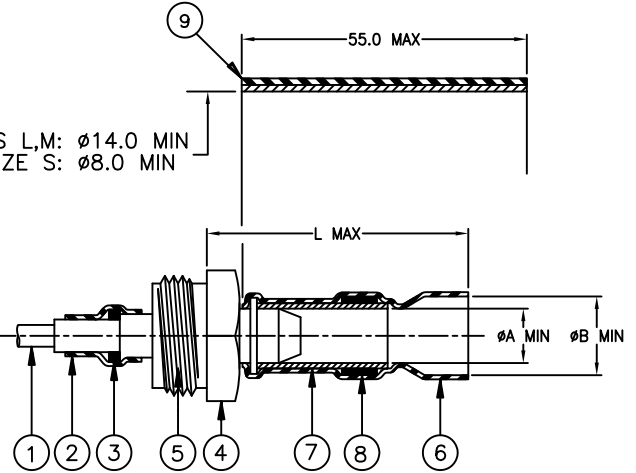
CUSTOMER DRAWING

| -XX | DESIGNATION | |
|------|------------------------|--|
| 00 | STRAIGHT PLUG | |
| 00-H | | |
| 01 | ANGLE PLUG | |
| 01-H | | |
| 02 | STRAIGHT BULKHEAD JACK | |
| 03 | STRAIGHT JACK | |
| 04 | STRAIGHT PANEL JACK | |
| 05 | STRAIGHT PLUG | |
| 05-H | | |

SCALE: NONE



SIZES L,M: $\phi 14.0$ MIN
SIZE S: $\phi 8.0$ MIN



FOR EXAMPLE: RTD-50-M-00

| -X | PRODUCT DIMENSIONS | | | CABLE DIMENSIONS | | | |
|----|--------------------|--------------|--------------|------------------|--------------|----------|----------|
| | L MAX | ϕA MIN | ϕB MIN | ϕD MAX | ϕF MAX | ϕE | ϕG |
| L | 31.0 | 9.6 | 12.7 | 2.45 | 7.30 | 4.1/9.5 | 5.0/12.5 |
| M | 31.0 | 5.1 | 7.2 | 1.25 | 3.00 | 2.1/5.0 | 3.5/7.0 |
| S | 26.0 | 3.1 | 5.7 | 0.65 | 1.55 | 0.9/3.0 | 1.5/5.5 |

MATERIAL:

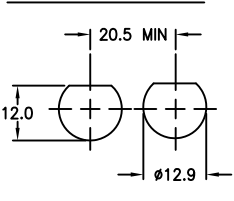
- CENTER CONTACT. GOLD PLATED BRASS (MALE) OR GOLD BERYLLIUM COPPER (FEMALE).
- HEAT SHRINKABLE INSULATION SLEEVE, TRANSPARENT BLUE. RADIATION CROSS-LINKED MODIFIED POLYVINYLIDENE FLUORIDE.
- SOLDER PREFORM. Sn63 Pb37 SOLDER ALLOY WITH MILDLY ACTIVATED ROSIN FLUX.
- THREADED TRANSITION PART. SILVER PLATED BRASS.
- INSULATOR. PTFE.
- SOLDERSHIELD DEVICE. TIN PLATED COPPER BRAID WITH ACTIVATED ROSIN FLUX.
- SOLDER PREFORM (ON L AND M SIZE ONLY). Sn63 Pb37 SOLDER ALLOY WITH MILDLY ACTIVATED ROSIN FLUX.
- HEAT SHRINKABLE INSULATION SLEEVE, BLACK. RADIATION CROSS-LINKED MODIFIED POLYOLEFIN WITH ADHESIVE.
- INSULATOR (EXCEPT FOR ANGLE PLUG), PTFE.
- BODY, NICKEL PLATED BRASS.

APPLICATION:

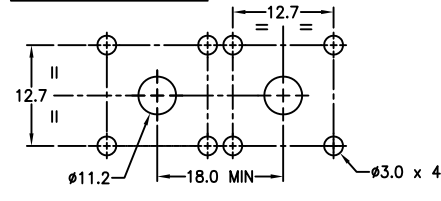
- THESE CONTROLLED SOLDERING DEVICES ARE DESIGNED TO CONNECT, WITH A MIL-C-390128 TNC INTERMATEABLE PART, A 50 Ω SINGLE OR DOUBLE BRAIDED COAXIAL HAVING A:
- TIN OR SILVER PLATED COPPER OUTER CONDUCTOR.
- TIN OR SILVER PLATED INNER CONDUCTOR.
AND INSULATION RATED FOR AT LEAST +85°C.
- TEMPERATURE RANGE:
* WITH BLACK SLEEVE: -55°C TO 100°C.
* WITHOUT BLACK SLEEVE: -55°C TO 150°C.
- FOR INSTALLATION PROCEDURE AND APPLICATION EQUIPMENT, CONSULT RPIP-683-00.

PANEL THICKNESS: 3.2 MAX

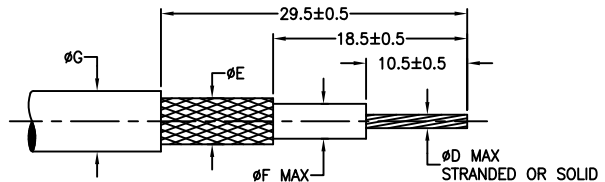
For RTD-50-X-02



For RTD-50-X-04



FOR BEST RESULTS, PREPARE THE CABLE AS SHOWN:



Copyright 2012, Tyco Electronics Corporation. All rights reserved.

Raychem Devices

| | | | | | | |
|---|------------------------|--|---|---|--|--|
| | TE Connectivity | DIMENSIONING AND TOLERANCING PER ASME Y14.5-2009 | TITLE: RF ONE STEP CONNECTOR 50 OHM TNC | | | |
| | | | UNLESS OTHERWISE SPECIFIED DIMENSIONS ARE IN MILLIMETERS. | | | |
| TOLERANCES: 0.00 ——— 0.0 ——— 0 ——— | | ANGLES: ——— ROUGHNESS IN MICRON | | TE CONNECTIVITY RESERVES THE RIGHT TO AMEND THIS DRAWING AT ANY TIME. USERS SHOULD EVALUATE THE SUITABILITY OF THE PRODUCT FOR THEIR APPLICATION. | | |
| ECO NO: ECO-12-006021 | | DRAWN: DJAIN | | SIZE: A | | |
| SCALE: | | CHECKED: DUSSING MATTHEW | | DOC. REV: A | | |
| DOCUMENT NO: RTD-50-Y-XX /-XX-H | | DATE: 2APR12 | | SHEET: 1 OF 1 | | |