

THIS DRAWING IS UNPUBLISHED. RELEASED FOR PUBLICATION JUNE ,2006.

© COPYRIGHT 2006 BY TYCO ELECTRONICS CORPORATION. ALL RIGHTS RESERVED.

LOC	DIST	REVISIONS					
		P	LTR	DESCRIPTION	DATE	DWN	APVD
E	B		B	ECR-06-015596	28JUN06	JMS	FWK

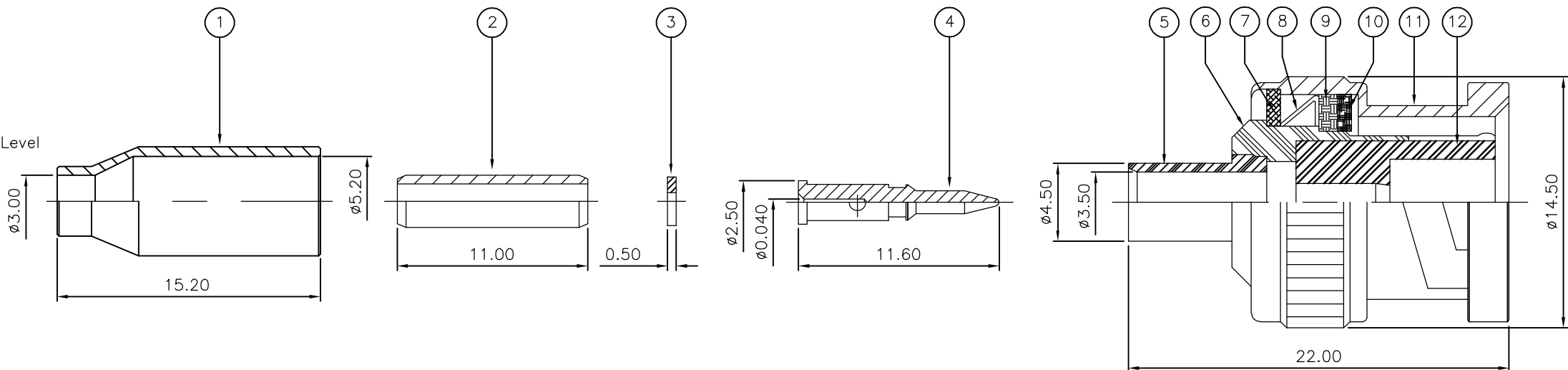
NOTES:

- 1 PACK IN ACCORDANCE WITH AMP SPEC 107-3275
- 2 100 TRAY PACK IN ACCORDANCE WITH AMP SPEC 107-3275
- 3 Au PLATING
- 4 Ni PLATING
- 5 THIS ITEM MUST BE WHITE
- 6 HAND TOOL : 9-1478240-0
- 7 DIE SET : 9-1478245-0
- 8 ELECTRICAL CHARACTERISTICS

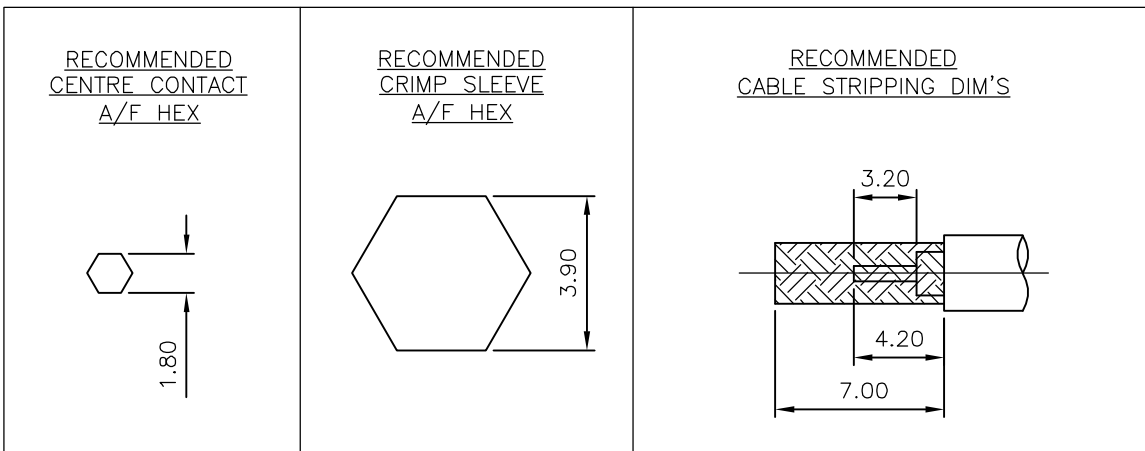
FREQUENCY RANGE:	DC - 4 GHz
NOMINAL IMPEDANCE:	50 Ohm
INSULATION RESISTANCE:	5000 MOhm
WORKING VOLTAGE:	500 Volts RMS at Sea Level
DIELECTRIC WITHSTAND VOLTAGE:	1500 Volts RMS Max
CONTACT RESISTANCE:	
CENTRE CONTACT:	1.50 mOhm Max
OUTER CONTACT:	0.20 mOhm Max
VSWR @ 4GHz:	1.30:1 Max
INSERTION LOSS dB @ x 3 GHz:	0.20 Max
- 9 MECHANICAL CHARACTERISTICS

COUPLING NUT RETENTION FORCE:	445N Min
CABLE RETENTION FORCE:	85N Min
DURABILITY:	500 Cycles Min
- 10 ENVIRONMENTAL CHARACTERISTICS

OPERATING TEMPERATURE:	-65 to +165 DegC
------------------------	------------------
- 11 FOR TECHNICAL DATA REFER TO YOUR LOCAL TYCO ELECTRONICS SALES OFFICE
- 12 ALL DIMENSIONS ARE NOMINAL FOR REFERENCE ONLY UNLESS OTHERWISE STATED



QTY	QTY	QTY	MATERIAL	DESCRIPTION	ITEM
1	1		PTFE	INSULATION	12
1	1		BRASS	4 SHELL	11
1	1		SILICONE RUBBER	5 GASKET	10
1	1		BRASS	4 RETAINING RING	9
1	1		SPRING STEEL	4 SPRING	8
1	1		BRASS	4 WASHER	7
1	1		BRASS	4 BODY	6
1	1		BRASS	4 CHASSIS	5
1	1		BRASS	3 CONTACT	4
1	1		PTFE	INSULATION	3
1	1		BRASS	4 PUSHER SLEEVE	2
1	1		BRASS	3 FERRULE	1
6--0	1--0		MATERIAL	DESCRIPTION	ITEM



THIS DRAWING IS A CONTROLLED DOCUMENT.		DWN	J.SANDWELL	28JUN06	 Tyco Electronics Corporation Bideford EX39 4HE														
DIMENSIONS: mm		CHK	S.PARLOW	28JUN06															
TOLERANCES UNLESS OTHERWISE SPECIFIED:		APVD	F.WHEELER-KING	28JUN06															
<table border="0"> <tr><td>0 PLC</td><td>± -</td></tr> <tr><td>1 PLC</td><td>± -</td></tr> <tr><td>2 PLC</td><td>± -</td></tr> <tr><td>3 PLC</td><td>± -</td></tr> <tr><td>4 PLC</td><td>± -</td></tr> <tr><td>ANGLES</td><td>± -</td></tr> <tr><td>FINISH</td><td>± -</td></tr> </table>		0 PLC	± -	1 PLC		± -	2 PLC	± -	3 PLC	± -	4 PLC	± -	ANGLES	± -	FINISH	± -	PRODUCT SPEC	NAME	
0 PLC	± -																		
1 PLC	± -																		
2 PLC	± -																		
3 PLC	± -																		
4 PLC	± -																		
ANGLES	± -																		
FINISH	± -																		
MATERIAL SEE TABLE		APPLICATION SPEC	SIZE		RESTRICTED TO														
		WEIGHT	411-3247		CAGE CODE														
		CUSTOMER DRAWING			DRAWING NO														
		SCALE			SHEET														
		NTS			1 OF 1														
					REV														
					B														