

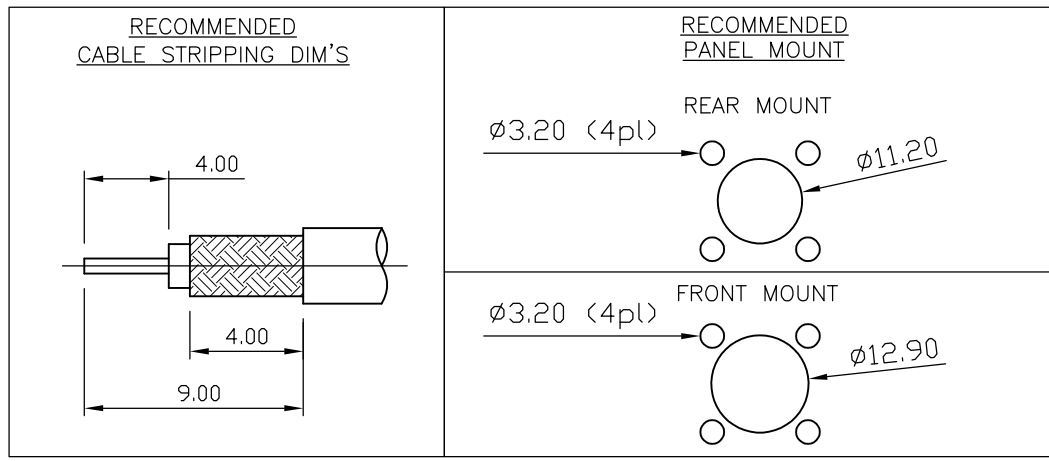
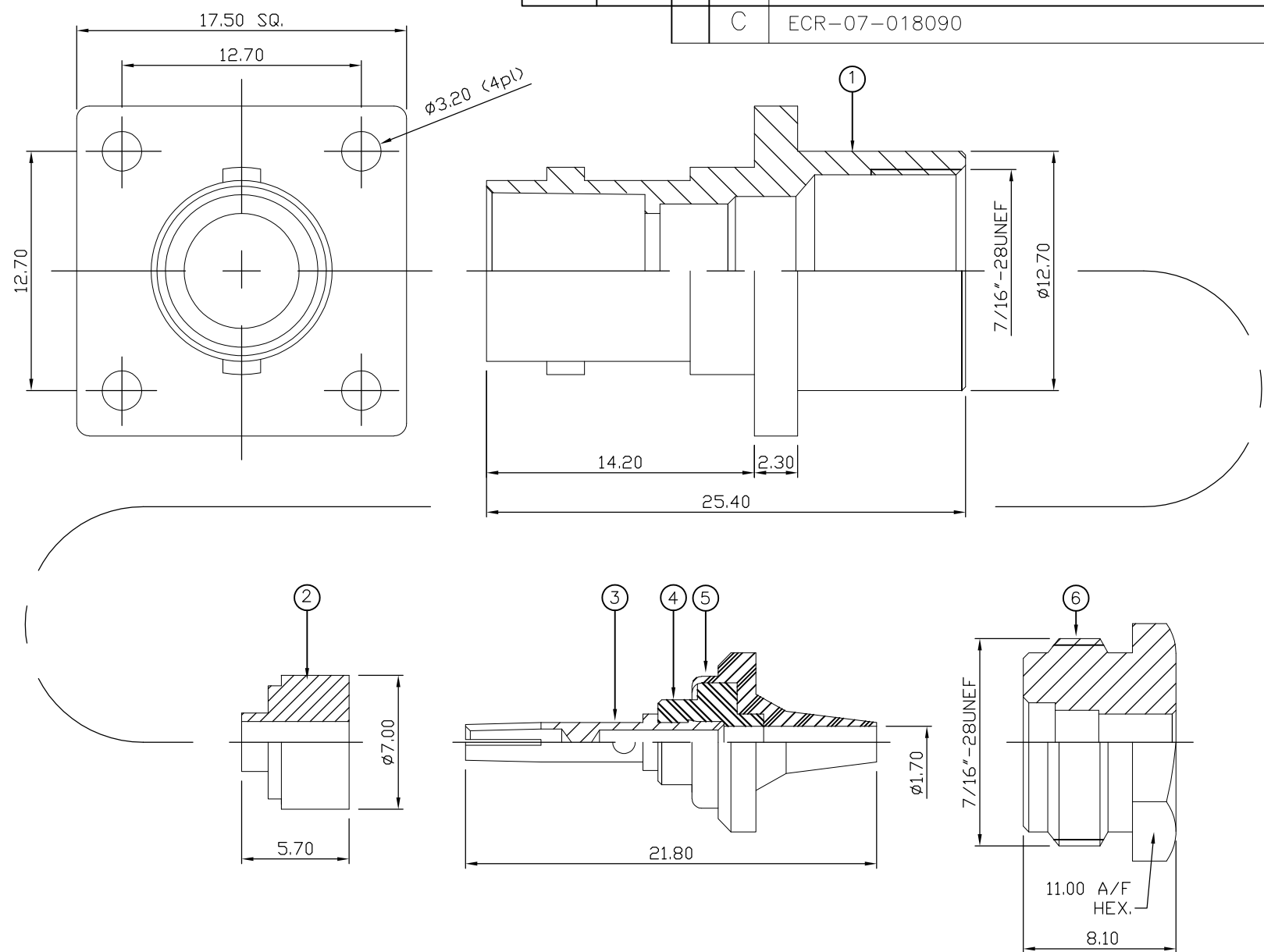
THIS DRAWING IS UNPUBLISHED. RELEASED FOR PUBLICATION JULY, 2006.

© COPYRIGHT 2006 BY TYCO ELECTRONICS CORPORATION. ALL RIGHTS RESERVED.

LOC	DIST	P	LTR	DESCRIPTION	DATE	DWN	APVD
E	B		C	ECR-07-018090	01/08/07	AM	FWK

NOTES:

- 1 SINGLE PACK IN ACCORDANCE WITH AMP SPEC 107-3275
- 2 100 TRAY PACK IN ACCORDANCE WITH AMP SPEC 107-3275
- 3 Ag PLATING
- 4 ELECTRICAL CHARACTERISTICS  
 FREQUENCY RANGE: DC - 2 GHz  
 NOMINAL IMPEDANCE: 75 Ohm  
 INSULATION RESISTANCE: 5000 MOhm  
 WORKING VOLTAGE: 500 Volts RMS at Sea Level  
 DIELECTRIC WITHSTAND VOLTAGE: 1500 Volts RMS Max  
 CONTACT RESISTANCE:  
 CENTRE CONTACT: 1.50 mOhm Max  
 OUTER CONTACT: 0.20 mOhm Max  
 VSWR @ 2GHz: 1.20:1 Max  
 INSERTION LOSS dB @ x 2 GHz: 0.20 Max
- 5 MECHANICAL CHARACTERISTICS  
 COUPLING RETENTION FORCE: N/A  
 CABLE RETENTION FORCE: 85N Min  
 CLAMP NUT RECOMMENDED TORQUE: 4N  
 DURABILITY: 500 Cycles Min
- 6 ENVIRONMENTAL CHARACTERISTICS  
 OPERATING TEMPERATURE: -65 to +165 DegC
- 7 FOR TECHNICAL DATA REFER TO YOUR LOCAL TYCO ELECTRONICS SALES OFFICE
- 8 ALL DIMENSIONS ARE NOMINAL FOR REFERENCE ONLY UNLESS OTHERWISE STATED



QTY	UNIT	MATERIAL	DESCRIPTION	ITEM
1	1	BRASS	CLAMP NUT	6
1	1	BRASS	SLEEVE	5
1	1	PTFE	INSULATION	4
1	1	BRASS	CONTACT	3
1	1	PTFE	INSULATION	2
1	1	BRASS	BODY	1
6--0	1--0		MATERIAL	DESCRIPTION
				ITEM

THIS DRAWING IS A CONTROLLED DOCUMENT.		DWN	J.SANDWELL	04JUL06
DIMENSIONS: mm		CHK	S.PARLOW	04JUL06
TOLERANCES UNLESS OTHERWISE SPECIFIED:		APVD	F.WHEELER-KING	04JUL06
0 PLC	± -	PRODUCT SPEC		
1 PLC	± -	APPLICATION SPEC		
2 PLC	± -	411-3269		
3 PLC	± -	WEIGHT		
4 PLC	± -	CUSTOMER DRAWING		
ANGLES	± -	SCALE	NTS	
FINISH	-	SHEET	1 OF 1	
MATERIAL	SEE TABLE	RESTRICTED TO	-	

Tyco Electronics Corporation		Bideford EX39 4HE	
NAME			
BNC STRAIGHT PANEL WEDGE CLAMP JACK 75 OHM			
RG179B/U, 187A/U, URM111			
SIZE	CAGE CODE	DRAWING NO	RESTRICTED TO
A3	00779	C-1478132	-
SCALE		SHEET	
NTS		1 OF 1	
REV		C	