



FCIconnect.com

Copyright FCI.



1

2

List of "SFW__R-1/2STAE1LF" customer document

DOCUMENT NO.	LIST
SC-SFW14	SPEC.
JSA95886	CAT.NO.TABLE FOR 1mm SPACING SMT CONNECTOR (SFW__R-1/2STA__LF)
JSA95887	1mm SPACING SMT CONNECTOR (SFW__R-1STA__LF)
JSA96111	1mm SPACING SMT CONNECTOR (SFW__R-2STA__LF)
JSA95888	CAT.NO.TABLE FOR PLASTIC TAPE PACKAGED 1mm SPACING SMT CONNECTOR (SFW__R-1/2STAE1LF)
JSA95889	PLASTIC TAPE PACKAGED 1mm SPACING SMT CONNECTOR (SFW__R-1STAE1LF)
JSA96112	PLASTIC TAPE PACKAGED 1mm SPACING SMT CONNECTOR (SFW__R-2STAE1LF)
JSA95890	RECOMMENDED CABLE (FPC) (SFW__R-1/2ST__)
GS-20-129	HANDLING PROCEDURES

mat'l. code -				surface ISO 1302 58 ✓	tolerance ISO 406 ISO 1101	projection	product family 58RF	CODE JP
ltr	ecn no	dr	date	tolerances unless otherwise specified		mm	title	
A	J05-0055	H.T	'05/2/4	angles	linear		1mm SPACING FPC CONNECTOR DOCUMENT LIST (Cat. No. : SFW__R-1/2STAE1LF)	
B	J06-0398	H.T	9/26/'06			scale X	dwg no sheet 1 of 1 size	
C	J09-0358	M.Y	2009-10-5				JSA96337 A4	
D	J09-0380	M.Y	2009-10-27	dr	M.YAMASHITA 2009-10-27		type Product Customer Drawing	
				enr	M.YAMASHITA 2009-10-27		Rev. D	
				chr	S. H. K. 2009-10-27			
				appd	S. H. K. 2009-10-27			
sheet index	revision sheet	D	1					

CAT. NO. & DIMENSIONS

NO. OF CONTACTS (n)	CAT. NO.	DIMENSIONS (NOTE2)			
		A ± 0.2	B ± 0.2	C ± 0.2	D ± 0.1
4	SFW4R-1/2STA__LF	9.8	8.6	3.0	5.3
5	SFW5R-1/2STA__LF	10.8	9.6	4.0	6.3
6	SFW6R-1/2STA__LF	11.8	10.6	5.0	7.3
7	SFW7R-1/2STA__LF	12.8	11.6	6.0	8.3
8	SFW8R-1/2STA__LF	13.8	12.6	7.0	9.3
9	SFW9R-1/2STA__LF	14.8	13.6	8.0	10.3
10	SFW10R-1/2STA__LF	15.8	14.6	9.0	11.3
11	SFW11R-1/2STA__LF	16.8	15.6	10.0	12.3
12	SFW12R-1/2STA__LF	17.8	16.6	11.0	13.3
13	SFW13R-1/2STA__LF	18.8	17.6	12.0	14.3
14	SFW14R-1/2STA__LF	19.8	18.6	13.0	15.3
15	SFW15R-1/2STA__LF	20.8	19.6	14.0	16.3
16	SFW16R-1/2STA__LF	21.8	20.6	15.0	17.3
17	SFW17R-1/2STA__LF	22.8	21.6	16.0	18.3
18	SFW18R-1/2STA__LF	23.8	22.6	17.0	19.3
19	SFW19R-1/2STA__LF	24.8	23.6	18.0	20.3
20	SFW20R-1/2STA__LF	25.8	24.6	19.0	21.3
21	SFW21R-1/2STA__LF	26.8	25.6	20.0	22.3
22	SFW22R-1/2STA__LF	27.8	26.6	21.0	23.3
23	SFW23R-1/2STA__LF	28.8	27.6	22.0	24.3
24	SFW24R-1/2STA__LF	29.8	28.6	23.0	25.3
25	SFW25R-1/2STA__LF	30.8	29.6	24.0	26.3
26	SFW26R-1/2STA__LF	31.8	30.6	25.0	27.3
27	SFW27R-1/2STA__LF	32.8	31.6	26.0	28.3
28	SFW28R-1/2STA__LF	33.8	32.6	27.0	29.3
29	SFW29R-1/2STA__LF	34.8	33.6	28.0	30.3
30	SFW30R-1/2STA__LF	35.8	34.6	29.0	31.3

CAT. NO. SFW (n) R - 1 ST A __ LF

SERIES NAME

NO. OF CONTACTS

RIGHT ANGLE TYPE

FOR FPC/FFC, CONTACT DIRECTION
1. LOWER CONTACT TYPE
2. UPPER CONTACT TYPE

FOR AUTOMATIC MOUNTING (SMT)

GOLD PLATING

PACKAGE STYLE

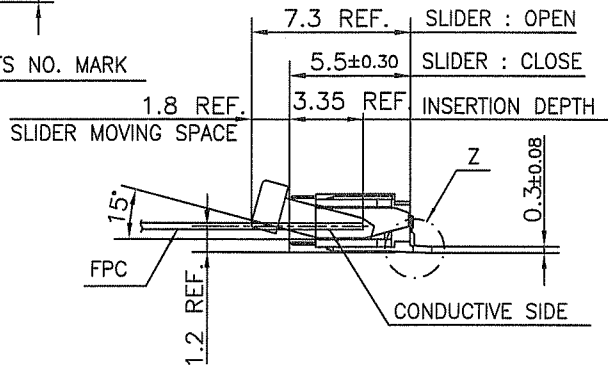
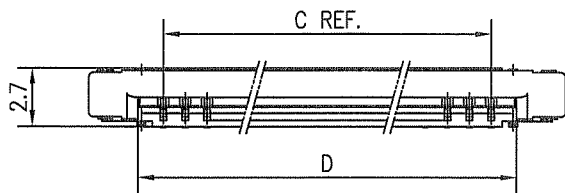
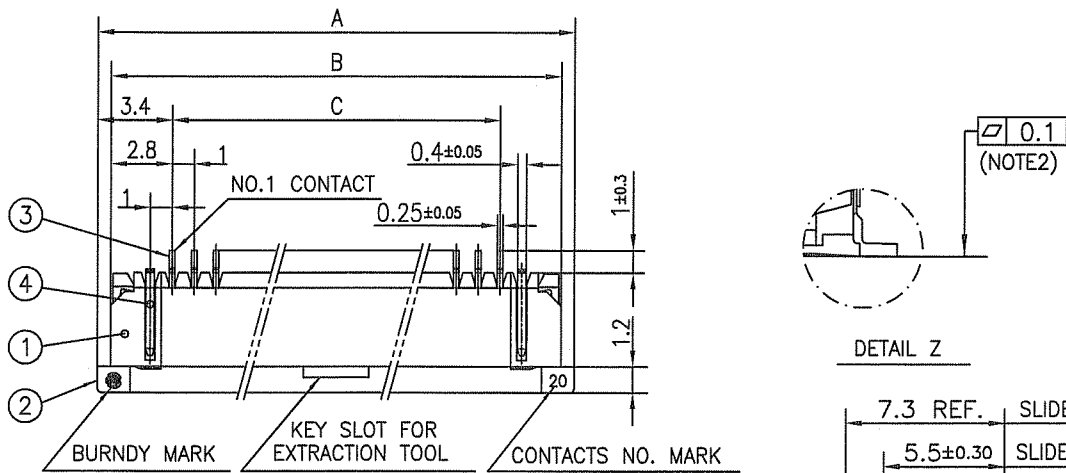
LEAD FREE

NOTES

1. THIS PRODUCT IS THE CONNECTOR USED FOR FPC AND COPELS WITH AUTOMATIC MOUNTING (SMT).
2. SEE PART DRAWINGS FOR DIMENSIONS A~D.

mat'l. code				surface 58 / tolerance ISO 1302 <input checked="" type="checkbox"/> ISO 406 / ISO 1101		projection		product family 58RF		CODE JP	
ltr ecn no dr date				tolerances unless otherwise specified				title			
AA J04-0413 H.T 11/16/04				angles linear		mm		CAT NO. TABLE FOR 1mm SPACING SMT CONNECTOR (Cat. No. SFW__R-1/2STA__LF)			
AB J05-0055 H.T 2/4/05						scale X		dwg no sheet 1 of 1 size			
AC J06-0398 H.T 9/26/06								JSA 95886 A4			
AD J09-0358 M.Y 2009-10-5				dr M.YAMASHITA 2009-10-5				type Product Customer Drawing			
				enr M.YAMASHITA 2009-10-5							
				chr S. Nishimura 2009-10-6							
				appd S. Oudama 2009-10-6							
sheet index		revision sheet 1		AD 1						Rev. AD	

SC-SFW14 JSA95887 96111 95888 95889 96112 95890 form: A4



PT. NO.	PARTS NAME	MATERIAL	Q'TY	NOTE
1	HOUSING	PPS RESIN GLASS REINFORCED (UL94V-0)	1	COLOR : BROWN
2	SLIDER	PPS RESIN GLASS REINFORCED (UL94V-0)	1	COLOR : BLACK
3	CONTACT	PHOSPHOR BRONZE	n	CONTACT AREA : GOLD TARMINAL AREA : TIN
4	MOUNTING PLATE	PHOSPHOR BRONZE	2	PLATING : TIN

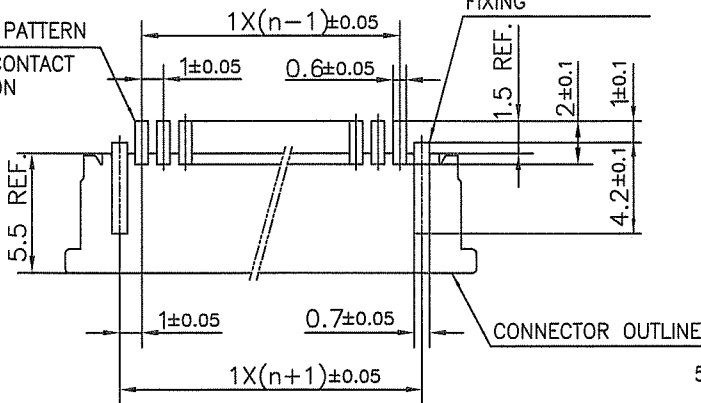
n : NO. OF CONTACTS

NOTES

1. THIS PRODUCT IS THE CONNECTOR USED FOR FPC AND COPEs WITH AUTOMATIC MOUNTING (SMT).
2. FLATNESS FOR CONTACT TERMINAL HOUSING MUST BE WITHIN TOLERANCE IN Z PORTION DETAILED DRAWING.
3. THIS PRODUCT IS LOWER CONTACT TYPE CONNECTOR.
4. THIS PRODUCT MEETS EUROPEAN UNION DIRECTIVES AND OTHER?COUNTRY REGULATIONS AS DESCRIBED IN GS-22-008

RECOMMENDED PC BOARD LAYOUT (COMPONENT SIDE)

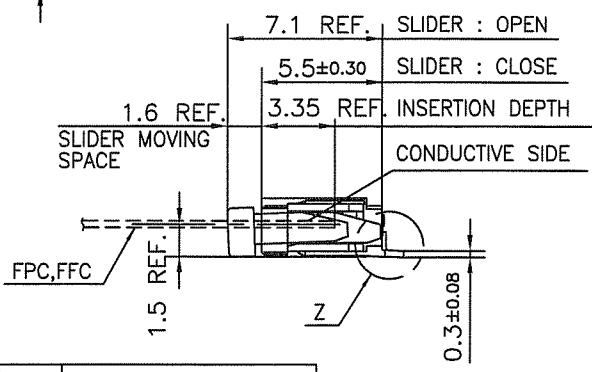
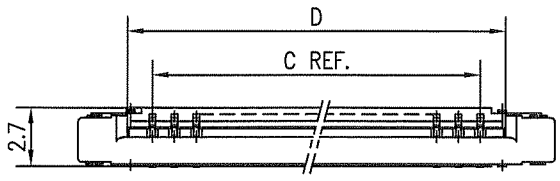
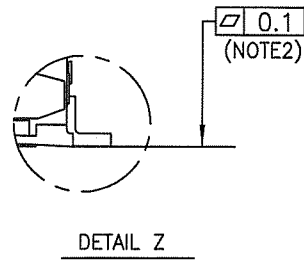
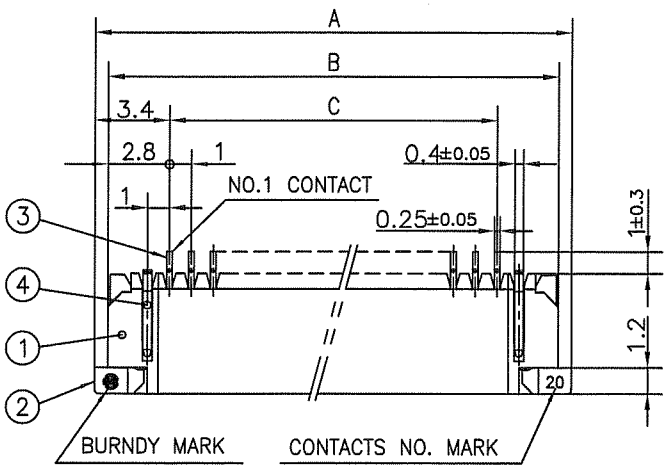
BASIC PATTERN
NO.1 CONTACT POSITION



5. THE HOUSING WILL WITHSTAND EXPOSURE TO 260°C PEAK TEMPERATURE FOR 10 SECONDS IN A REFLOW SOLDERING OVEN.

mat'l. code		surface 58 / tolerance ISO 1302 / ISO 406 / ISO 1101		projection		product family 58RF		CODE JP		
ltr	ecn no	dr	date	tolerances unless otherwise specified		title		1mm SPACING SMT CONNECTOR		
AA	J04-0329	H.T	9/27/04	±0.2		mm		(Cat. No. SFW__R-1STA__LF)		
AB	J05-0055	H.T	2/4/05	linear		scale X		dwg no sheet 1 of 1 size		
AC	J05-0736	H.T	10/28/05			FCI		JSA 95887 A4		
AD	J06-0398	H.T	9/26/06	dr	A. YAMASAKI 2007-10-5			type Product Customer Drawing		
AE	J09-0358	M.Y	2009-10-5	enr	A. YAMASAKI 2009-10-5			Rev. AE		
				chr	S. W. ... 2009-10-6					
				appd	S. Chaudhary 2009-10-6					
sheet index	revision	AE	1							Rev. AE

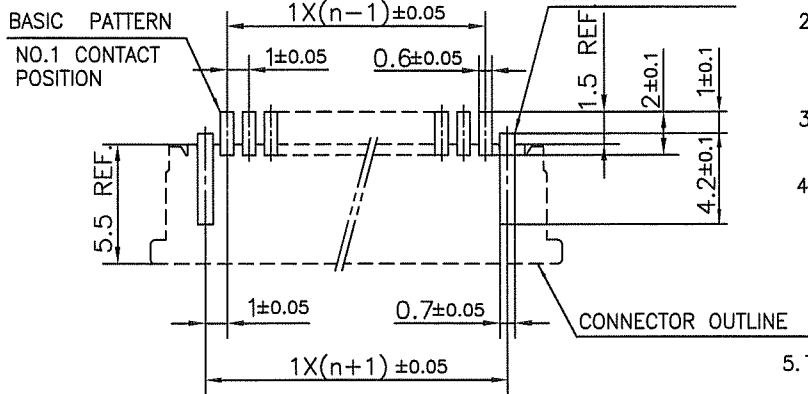
SC_SFW14 form: A4 JSA95886



PT. NO.	PARTS NAME	MATERIAL	Q'TY	NOTE
1	HOUSING	PPS RESIN GLASS REINFORCED (UL94V-0)	1	COLOR : BROWN
2	SLIDER	PPS RESIN GLASS REINFORCED (UL94V-0)	1	COLOR : BLACK
3	CONTACT	PHOSPHOR BRONZE	n	CONTACT AREA : GOLD TARMINAL AREA : TIN
4	MOUNTING PLATE	PHOSPHOR BRONZE	2	PLATING : TIN

n : NO. OF CONTACTS

RECOMMENDED PC BOARD LAYOUT
(COMPONENT SIDE)



PATTERN FOR MOUNTING PLATE FIXING

CONNECTOR OUTLINE

NOTES

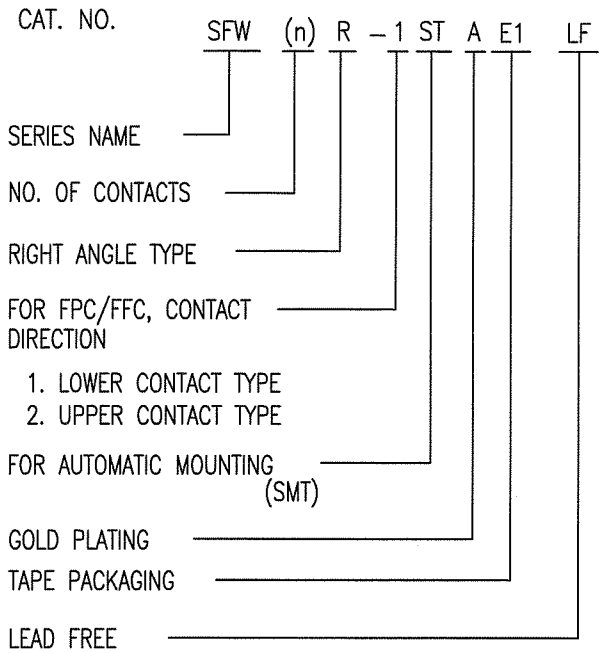
1. THIS PRODUCT IS THE CONNECTOR USED FOR FPC AND COPEs WITH AUTOMATIC MOUNTING (SMT).
2. FLATNESS FOR CONTACT TERMINAL HOUSING MUST BE WITHIN TOLERANCE IN Z PORTION DETAILED DRAWING.
3. THIS PRODUCT IS UPPER CONTACT TYPE CONNECTOR.
4. THIS PRODUCT MEETS EUROPEAN UNION DIRECTIVES AND OTHER?COUNTRY REGULATIONS AS DESCRIBED IN GS-22-008
5. THE HOUSING WILL WITHSTAND EXPOSURE TO 260°C PEAK TEMPERATURE FOR 10 SECONDS IN A REFLOW SOLDERING OVEN.

mat'l. code			surface 58 / tolerance ISO 1302		projection		product family 58RF		CODE JP		
ltr ecn no dr date			tolerances unless otherwise specified		mm		title		sheet 1 of 1 size		
A J04-0413 H.T 11/16/04			angles linear ±0.2		↔		1mm SPACING SMT CONNECTOR		A4		
B J05-0055 H.T 2/4/05					↔		(Cat. No. SFW__R-2STA__LF)				
C J05-0736 H.T 10/28/05					scale X		dwg no		sheet 1 of 1 size		
D J06-0398 H.T 9/26/06			dr H.YAMASHITA 2009-10-5		FCI		JSA 96111		A4		
E J09-0358 M.Y 2009-10-5			enr H.YAMASHITA 2009-10-5				type Product Customer Drawing				
			chr S.W.K. 2009-10-6								
			appd J. Dadani 2009-10-6								
sheet index		revision sheet		E 1						Rev. E	

SC_SFW14 JSA95886 form: A4

CAT. NO. & DIMENSIONS

NO. OF CONTACTS (n)	CAT. NO. (NOTE2)	DIMENSIONS (NOTE3)		
		E ± 5	F ± 0.3	G ± 0.1
4	SFW4R-1/2STAE1 LF	20.4	16	—
5	SFW5R-1/2STAE1 LF	28.4	24	—
6	SFW6R-1/2STAE1 LF	28.4	24	—
7	SFW7R-1/2STAE1 LF	28.4	24	—
8	SFW8R-1/2STAE1 LF	28.4	24	—
9	SFW9R-1/2STAE1 LF	28.4	24	—
10	SFW10R-1/2STAE1 LF	28.4	24	—
11	SFW11R-1/2STAE1 LF	28.4	24	—
12	SFW12R-1/2STAE1 LF	28.4	24	—
13	SFW13R-1/2STAE1 LF	36.4	32	28.4
14	SFW14R-1/2STAE1 LF	36.4	32	28.4
15	SFW15R-1/2STAE1 LF	36.4	32	28.4
16	SFW16R-1/2STAE1 LF	36.4	32	28.4
17	SFW17R-1/2STAE1 LF	48.4	44	40.4
18	SFW18R-1/2STAE1 LF	48.4	44	40.4
19	SFW19R-1/2STAE1 LF	48.4	44	40.4
20	SFW20R-1/2STAE1 LF	48.4	44	40.4
21	SFW21R-1/2STAE1 LF	48.4	44	40.4
22	SFW22R-1/2STAE1 LF	48.4	44	40.4
23	SFW23R-1/2STAE1 LF	48.4	44	40.4
24	SFW24R-1/2STAE1 LF	48.4	44	40.4
25	SFW25R-1/2STAE1 LF	48.4	44	40.4
26	SFW26R-1/2STAE1 LF	48.4	44	40.4
27	SFW27R-1/2STAE1 LF	48.4	44	40.4
28	SFW28R-1/2STAE1 LF	60.4	56	52.4
29	SFW29R-1/2STAE1 LF	60.4	56	52.4
30	SFW30R-1/2STAE1 LF	60.4	56	52.4

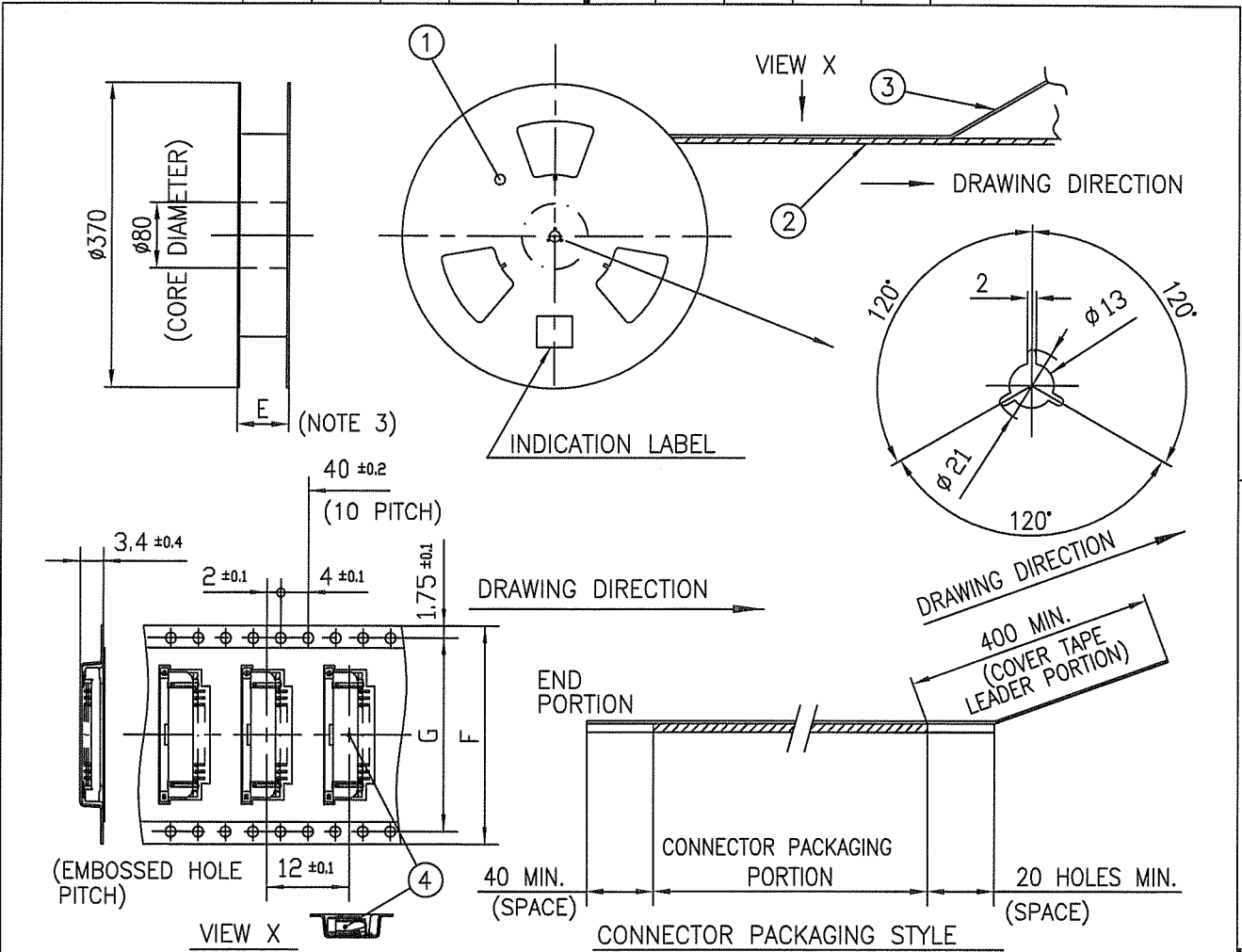


NOTES

1. THIS PRODUCT IS THE CONNECTOR USED FOR FPC AND COPEs WITH AUTOMATIC MOUNTING (SMT).
2. THIS CATALOG NO. INDICATES PLASTIC TAPE PACKAGED CONNECTOR.
3. SEE PART DRAWINGS FOR DIMENSIONS E~G.

mat'l. code		surface 58 / tolerance ISO 1302 / ISO 406 / ISO 1101		projection		product family 58RF		CODE JP		
ltr	ecn no	dr	date	tolerances unless otherwise specified		title		CAT NO. TABLE FOR PLASTIC TAPE PACKAGED 1mm SPACING SMT CONNECTOR (Cat. No. SFW__R-1/2STAE1 LF)		
AA	J04-0413	H.T	11/16/04	angles	linear	mm		dwg no		
AB	J05-0055	H.T	2/4/05			scale X		sheet 1 of 1 size		
AC	J06-0398	H.T	9/26/06			FCI		JSA 95888 A4		
AD	J09-0358	M.Y	2009-10-5	dr	M.YAMASHITA	2009-10-5		type Product Customer Drawing		
				enr	M.YAMASHITA	2009-10-5				
				chr	S. W. H. L.	2009-10-6				
				appd	S. W. H. L.	2009-10-6				
sheet index	revision sheet	AD	1							Rev. AD

SC_SFW14 form: A4 JSA95886 95889 96112



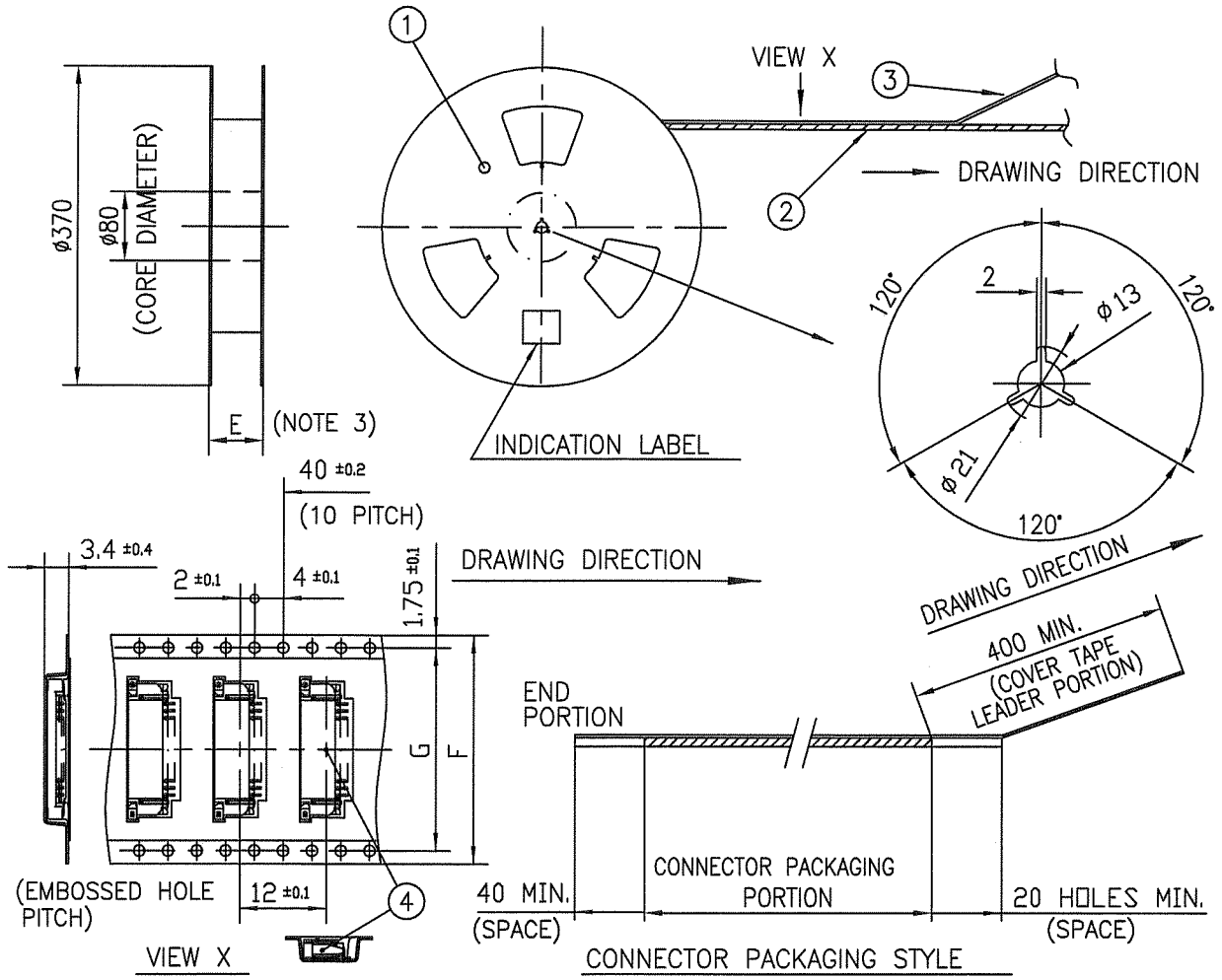
PT. NO.	PARTS NAME	CAT. NO.	MATERIAL	Q'TY	NOTE
1	REEL	_____	CARDBOARD	1	COLOR:WHITE
2	PLASTIC (EMBOSS) TAPE	_____	PET	_____	COLOR:TRANSPARENCY
3	COVER	_____	POLYESTER	_____	COLOR:TRANSPARENCY
4	CONNECTOR	SFW_R-1STA_LF	SEE ATTACHED DWG.	2000	LOWER CONTACT TYPE

NOTES

- THIS IS PLASTIC TAPE PACKAGED CONNECTOR USED FOR FPC AND COPEs WITH AUTOMATIC MOUNTING (SMT).
- SEE JIS C 0806 (PACKING OF ELECTRONIC COMPONENTS ON CONTINUOUS TAPES (SURFACE MOUNTING DEVICES)) FOR SHAPE AND DIMENSIONS OF PLASTIC (EMBOSS) TAPE AND REEL.
- E DIMENSION IS PORTION OF THE CORE.

mat'l. code		surface ISO 1302 <input checked="" type="checkbox"/>		tolerance ISO 406 ISO 1101		projection		product family 58RF		CODE JP	
ltr ecn no dr date		tolerances unless otherwise specified		angles linear		mm		title			
AA	J05-0055	H.T	2/4/05	±5		mm		PLASTIC TAPE PACKAGED 1mm SPACING SMT CONNECTOR (Cat. No. SFW__R-1STAE1 LF)			
AB	J06-0398	H.T	9/26/06	±5'		scale X		dwg no sheet 1 of 1 size			
AC	J09-0358	M.Y	2009-10-5			FCJ		JSA 95889 A4			
sheet index		revision AC		dr M.YAMASHITA 2009-10-5				type Product Customer Drawing			
sheet 1				enr H.YAMASHITA 2009-10-5				Rev. AC			
				chr S. W. 2007-10-6							
				appd J. Chidambaram 2009-10-6							

SC_SFW14 JSA95888 form: A4



PT. NO.	PARTS NAME	CAT. NO.	MATERIAL	Q'TY	NOTE
1	REEL	_____	CARDBOARD	1	COLOR:WHITE
2	PLASTIC (EMBOSS) TAPE	_____	PET	_____	COLOR:TRANSPARENCY
3	COVER	_____	POLYESTER	_____	COLOR:TRANSPARENCY
4	CONNECTOR	SFW_R-2STA_LF	SEE ATTACHED DWG.	2000	UPPER CONTACT TYPE

NOTES

1. THIS IS PLASTIC TAPE PACKAGED CONNECTOR USED FOR FPC AND COPES WITH AUTOMATIC MOUNTING (SMT).
2. SEE JIS C 0806 (PACKING OF ELECTRONIC COMPONENTS ON CONTINUOUS TAPES (SURFACE MOUNTING DEVICES)) FOR SHAPE AND DIMENSIONS OF PLASTIC (EMBOSS) TAPE AND REEL.
3. E DIMENSION IS PORTION OF THE CORE.

mat'l. code		surface ISO 1302		tolerance ISO 406 ISO 1101		projection		product family 58RF		CODE JP	
ltr		ecn no		dr		date		title		PLASTIC TAPE PACKAGED 1mm SPACING SMT CONNECTOR (Cat. No. SFW__R-2STAE1 LF)	
A		J04-0413		H.T		11/16/04		mm		sheet 1 of 1 size	
B		J05-0055		H.T		2/4/05		scale X		sheet 1 of 1 size	
C		J06-0398		H.T		9/26/06		FCJ		sheet 1 of 1 size	
D		J09-0358		M.Y		2009-10-5		type Product Customer Drawing		sheet 1 of 1 size	
sheet index		revision sheet		D		1		Rev. D		A4	

SC_SFW14 JSA95888 form: A4



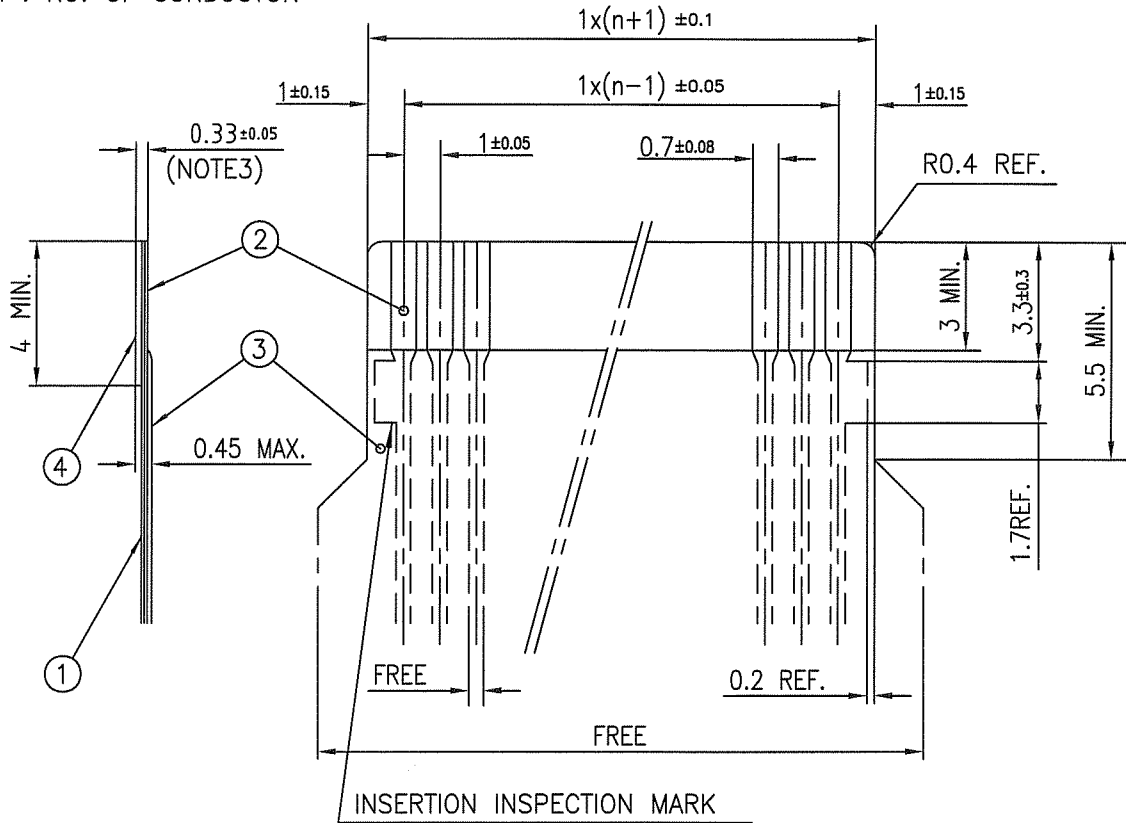
FCIconnect.com

Copyright FCI.



RECOMMENDED CABLE (FPC)

n : NO. OF CONDUCTOR



PT. NO.	PARTS NAME	MATERIAL	THICKNESS (um)
1	BASE FILM	POLYIMIDE OR POLYESTER OR EQUAL	25
2	CONDUCTOR	COPPER FOIL (PLATING : Ni UNDER PLATING GOLD0.5um MIN.)	35
3	OVERLAY	POLYIMIDE OR POLYESTER OR EQUAL	—
4	SUPPORTING TAPE	POLYESTER OR POLYIMIDE OR EQUAL	188

- NOTES
1. NO BURR AT EACH PORTION.
 2. NO PEELING IN COMMON USE.
 3. TOTAL THICKNESS LIMIT OF EACH MATERIAL (INCLUDING ADHESIVE AGENT) IS SPECIFIED.

mat'l. code				surface 58 ISO 1302		tolerance ISO 406 ISO 1101		projection mm		product family 58RF		CODE JP	
ltr ecn no dr date				tolerances unless otherwise specified		angles linear		scale X		title RECOMMENDED CABLE (Cat. No. SFW__R-1/2STA_)			
AA	J04-0413	H.T	11/16/04							dwg no sheet 1 of 1 size JSA 95890 A4			
AB	J06-0398	H.T	9/26/06							type Product Customer Drawing			
AC	J09-0358	M.Y	2009-10-5	dr M.SAYANISHITA 2009-10-5		engr M.SAYANISHITA 2009-10-5		chr S. W. 2009-10-6		appd S. Chudani 2009-10-6		Rev. AC	
sheet index	revision sheet	AC	1										