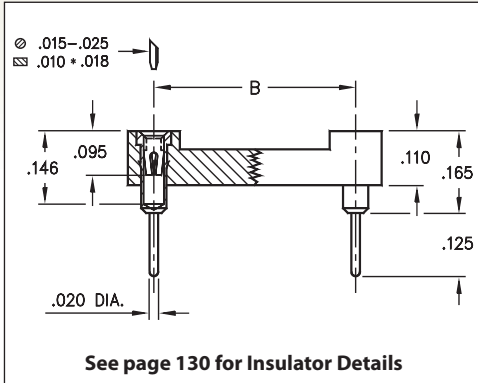
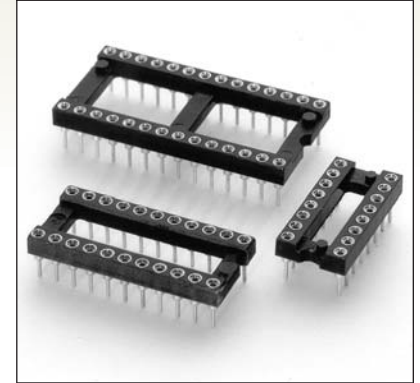


DUAL-IN-LINE SOCKETS

SERIES 110...001 • STANDARD SOLDER TAIL • OPEN FRAME



- All DIP sockets accept .015" - .025" diameter and standard IC leads
- Hi-Rel, 4-finger BeCu #30 contact is rated at 3 amps. See page 253 for details
- Series 110 uses MM #1001 pins. See page 165 for details
- Insulators are high temperature thermoplastic, suitable for all soldering operations
- For Electrical, Mechanical and Environmental Data, see page 264 for details



Total number of pins	Pin Spacing			Quantity per tube	ORDERING INFORMATION								
	A	B	C										
10	0.5	0.2	0.3	40	110-XX-210-41-001000								
4	0.2	0.3	0.4	102									
6	0.3	0.3	0.4	67	110-XX-304-41-001000								
8	0.4	0.3	0.4	50									
10	0.5	0.3	0.4	40	110-XX-306-41-001000								
14	0.7	0.3	0.4	28									
16	0.8	0.3	0.4	25	110-XX-308-41-001000								
18	0.9	0.3	0.4	22									
20	1.0	0.3	0.4	20	110-XX-310-41-001000								
22	1.1	0.3	0.4	18									
24	1.2	0.3	0.4	16	110-XX-314-41-001000								
28	1.4	0.3	0.4	14									
20	1.0	0.4	0.5	20	110-XX-316-41-001000								
22	1.1	0.4	0.5	18									
24	1.2	0.4	0.5	16	110-XX-318-41-001000								
28	1.4	0.4	0.5	14									
32	1.6	0.4	0.5	12	110-XX-320-41-001000								
24	1.2	0.6	0.7	16									
28	1.4	0.6	0.7	14	110-XX-322-41-001000								
32	1.6	0.6	0.7	12									
36	1.8	0.6	0.7	11	110-XX-324-41-001000								
40	2.0	0.6	0.7	10									
42	2.1	0.6	0.7	9	110-XX-328-41-001000								
48	2.4	0.6	0.7	8									
50	2.5	0.6	0.7	8	110-XX-420-41-001000								
52	2.6	0.6	0.7	7									
50	2.5	0.9	1.0	8	110-XX-422-41-001000								
52	2.6	0.9	1.0	7									
64	3.2	0.9	1.0	6	110-XX-424-41-001000								
					110-XX-428-41-001000								
					110-XX-432-41-001000								
					110-XX-624-41-001000								
					110-XX-628-41-001000								
					110-XX-632-41-001000								
					110-XX-636-41-001000								
					110-XX-640-41-001000								
					110-XX-642-41-001000								
					110-XX-648-41-001000								
					110-XX-650-41-001000								
					110-XX-652-41-001000								
					110-XX-950-41-001000								
					110-XX-952-41-001000								
					110-XX-964-41-001000								
SPECIFY PLATING CODE XX =					11	13	91	93	99	41	43	44	
Sleeve (Pin)		10 μ" Au	10 μ" Au	200 μ" Sn/Pb	200 μ" Sn/Pb	200 μ" Sn/Pb	200 μ" Sn/Pb	200 μ" Sn	200 μ" Sn	200 μ" Sn	200 μ" Sn	200 μ" Sn	
Contact (Clip)		10 μ" Au	30 μ" Au	10 μ" Au	30 μ" Au	100 μ" Sn/Pb	10 μ" Au	30 μ" Au	100 μ" Sn	10 μ" Au	30 μ" Au	100 μ" Sn	

XX=Plating Code
See Below

