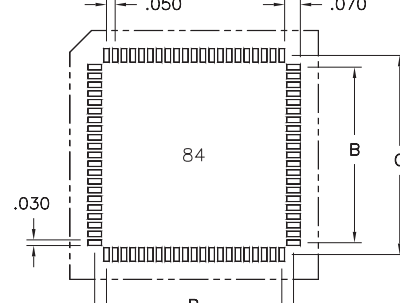
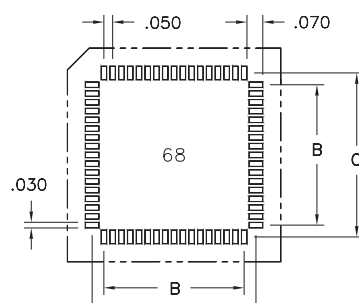
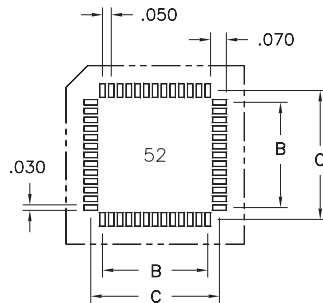
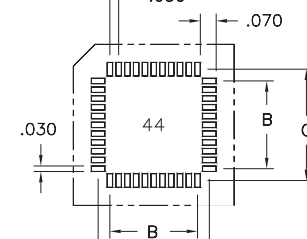
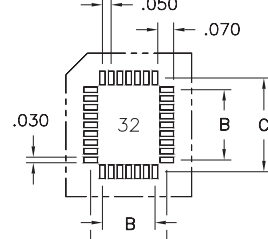
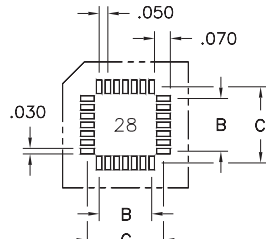
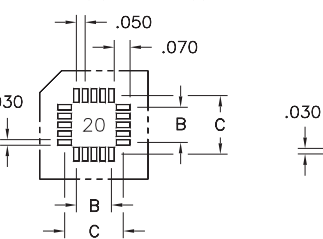
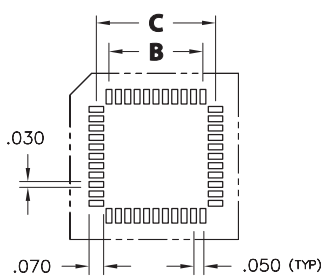
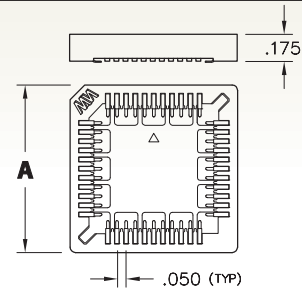


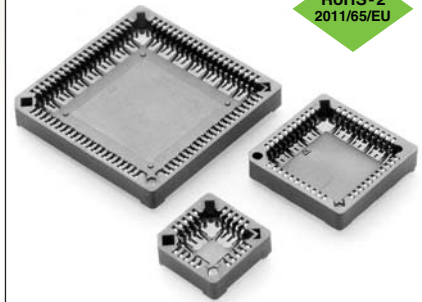
STANDARD PLCC SOCKETS

SERIES 940 • SURFACE MOUNT



RECTANGULAR *

- Note: Not end stackable
- Accepts JEDEC PLCCs MO-047 and MO-052
- Low profile for high density PC board stacking
- Standoffs provide clearance for heat dissipation and cleaning
- Contacts are plated with 150 μ m tin
- Insulator material is glass reinforced PPS
- For Electrical, Mechanical and Environmental Data, see page 141 for details



PCB LAYOUT FOR SURFACE MOUNT

Number of Contacts	Ordering Information	- A -	- B -	- C -	Qty. per Tube Reel	
20	940-44-020-17-40000X	0.613	0.200	0.334	32	470
28	940-44-028-17-40000X	0.713	0.300	0.434	27	390
32 *	940-44-032-17-40000X *	0.813 / .713	0.400 / .300	0.534 / .434	24	390
44	940-44-044-17-40000X	0.900	0.500	0.634	21	250
52	940-44-052-17-40000X	1.013	0.600	0.734	19	250
68	940-44-068-17-40000X	1.213	0.800	0.934	16	220
84	940-44-084-17-40000X	1.413	1.000	1.134	14	200

Packaging Codes: X = 0 (Tubes)
X = 4 (Tape & Reel)

