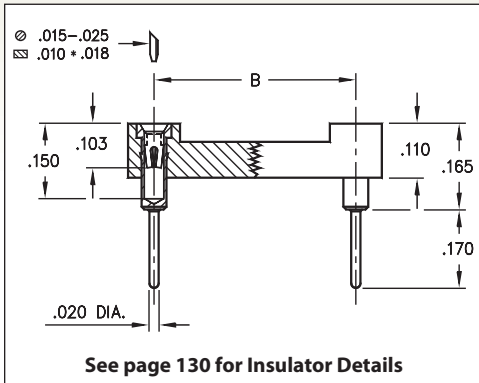
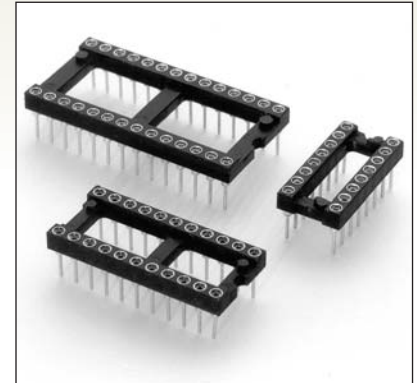


# DUAL-IN-LINE SOCKETS

## SERIES 111 • LONG SOLDER TAIL FOR MULTI-LAYER PCB • OPEN FRAME



- DIP sockets with increased solder tail length of .170", allowing application on multi-layer PCBs up to .139" thick
- Hi-Rel, 4-finger BeCu #30 contact is rated at 3 amps. See page 253 for details
- Series 111 uses MM #0134 pins. See page 165 for details
- Insulators are high temperature thermoplastic, suitable for all soldering operations
- For Electrical, Mechanical and Environmental Data, see page 264 for details



Total number of pins				Quantity per tube	ORDERING INFORMATION			
	A	B	C					
10	0.5	0.2	0.3	40	111-XX-210-41-001000			
4	0.2	0.3	0.4	102	111-XX-304-41-001000			
6	0.3	0.3	0.4	67	111-XX-306-41-001000			
8	0.4	0.3	0.4	50	111-XX-308-41-001000			
10	0.5	0.3	0.4	40	111-XX-310-41-001000			
14	0.7	0.3	0.4	28	111-XX-314-41-001000			
16	0.8	0.3	0.4	25	111-XX-316-41-001000			
18	0.9	0.3	0.4	22	111-XX-318-41-001000			
20	1.0	0.3	0.4	20	111-XX-320-41-001000			
22	1.1	0.3	0.4	18	111-XX-322-41-001000			
24	1.2	0.3	0.4	16	111-XX-324-41-001000			
28	1.4	0.3	0.4	14	111-XX-328-41-001000			
20	1.0	0.4	0.5	20	111-XX-420-41-001000			
22	1.1	0.4	0.5	18	111-XX-422-41-001000			
24	1.2	0.4	0.5	16	111-XX-424-41-001000			
28	1.4	0.4	0.5	14	111-XX-428-41-001000			
32	1.6	0.4	0.5	12	111-XX-432-41-001000			
24	1.2	0.6	0.7	16	111-XX-624-41-001000			
28	1.4	0.6	0.7	14	111-XX-628-41-001000			
32	1.6	0.6	0.7	12	111-XX-632-41-001000			
36	1.8	0.6	0.7	11	111-XX-636-41-001000			
40	2.0	0.6	0.7	10	111-XX-640-41-001000			
42	2.1	0.6	0.7	9	111-XX-642-41-001000			
48	2.4	0.6	0.7	8	111-XX-648-41-001000			
50	2.5	0.6	0.7	8	111-XX-650-41-001000			
52	2.6	0.6	0.7	7	111-XX-652-41-001000			
50	2.5	0.9	1.0	8	111-XX-950-41-001000			
52	2.6	0.9	1.0	7	111-XX-952-41-001000			
64	3.2	0.9	1.0	6	111-XX-964-41-001000			
SPECIFY PLATING CODE XX =					91	93	41	43
Sleeve (Pin)					200 μ" Sn/Pb	200 μ" Sn/Pb	200 μ" Sn	200 μ" Sn
Contact (Clip)					10 μ" Au	30 μ" Au	10 μ" Au	30 μ" Au

XX=Plating Code  
See Below

