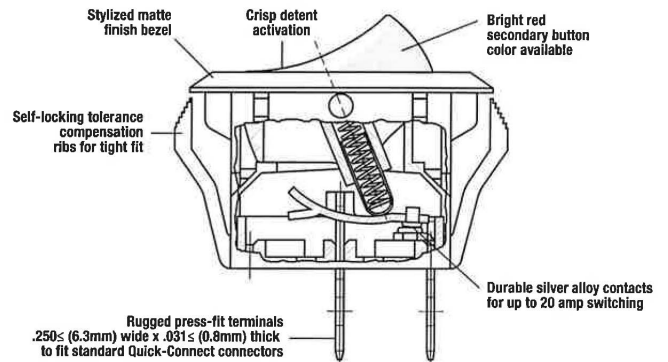


# Single-Pole Rocker Switch CR Series



## Features

- Rugged design to switch up to 20 amps
- 2-color molded button available
- Fits 3 panel cut-out widths
- Splash-proof option available
- Mechanical life: min. 100,000 operations

Electrical Ratings				
Switch Series	EN61058 Rating	UL1054 Rating	Electrical Life at Rated Load	
			According to VDE (Min. Operations)	According to UL (Min. Operations)
CR	16(4)A, 250V~, T125/55	20A 125 VAC; 16A 250VAC; 3/4HP 250VAC	10,000	6,000

Electrical Specifications		Material Specifications	
<b>Ratings:</b>	20A, 125VAC; 16A 250VAC; 3/4HP cULus 16(4)A, 250V~ T125/55 (VDE)	<b>Actuator (non-lighted):</b>	Nylon 66 94V-2
<b>Dielectric Strength:</b>	1000VAC for 1 minute	<b>(lighted):</b>	Polycarbonate
<b>Insulation Resistance:</b>	100M ohms min at 500VDC	<b>Base:</b>	Nylon 66 94V-2
<b>Initial Contact Resistance:</b>	0.020 ohms max	<b>Spring:</b>	Steel Wire
<b>Temperature Range:</b>	-20°C to + 85°C	<b>Contacts:</b>	Silver Alloy
		<b>Movable Arm:</b>	Silver-Plated Copper Alloy
		<b>Terminals:</b>	Tin-Plated Copper Alloy

RoHS Compliant  
UL File No: E23301

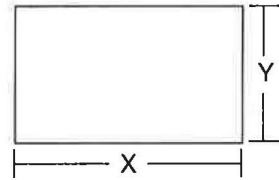
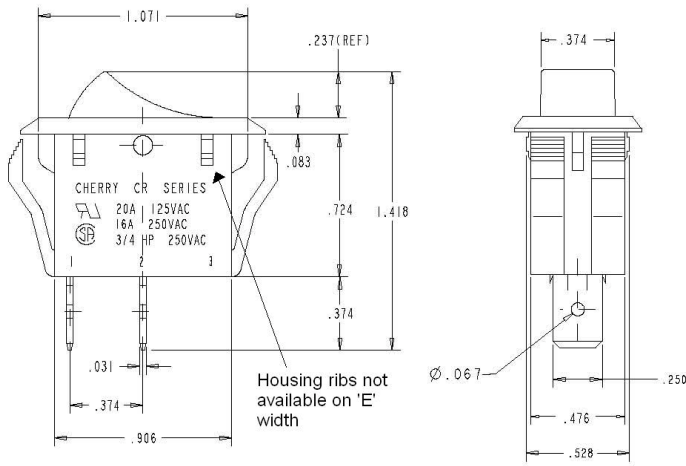


Specifications subject to change without notice.

# Single-Pole Rocker Switch CR Series



**Dimensions inches (mm)**



Z = Panel Thickness

**Recommended Panel Cut-Out Dimensions inches (mm)**

Dim. Z	SUFFIX E		SUFFIX F		SUFFIX G or W	
	Dim. X	Dim. Y	Dim. X	Dim. Y	Dim. X	Dim. Y
0.030 to 0.049 (0.75 to 1.25)	1.120 (28.49)	0.476 (12.10)	1.120 (28.49)	0.528 (13.41)	1.120 (28.49)	0.543 (13.80)
0.049 to 0.079 (1.25 to 2.00)	1.130 (28.70)	0.476 (12.10)	1.130 (28.70)	0.528 (13.41)	1.130 (28.70)	0.543 (13.80)
0.079 to 0.118 (2.00 to 3.00)	1.150 (29.21)	0.476 (12.10)	1.150 (29.21)	0.528 (13.41)	1.150 (29.21)	0.543 (13.80)

**Ordering Information**

<b>CR</b> Series	<b>E</b> Code	<b>2</b> Code	<b>2</b> Code	<b>2</b> Code	<b>F</b> Code	<b>2</b> Code	<b>F</b> Code	<b>B</b> Code	<b>B</b> Code	<b>N</b> Code	<b>N</b> Code
		<b>Circuitry</b>	<b>Switch Function</b>	<b>Actuator Type</b>		<b>Actuator Marking</b>		<b>Housing Color</b>		<b>Lighted</b>	
		2 Single Pole	2 On - Off 3 On - On 4 On-Off-On	2 Curve 4 Curve - Two Color Red Mold		B Blank D O E O F O H I O II K Off On P O O		B Black E Charcoal Grey R Red W White Y Grey		N Non-Lighted L Lighted (Bulb 125VAC) E Lighted (Bulb 250VAC) F Lighted 5VDC Incandescent G Lighted 6VDC Incandescent H Lighted 12VDC Incandescent	
	<b>Contact Rating</b>										
	E 20A 125VAC 16A 250V 3/4HP 250VAC cULus 16(4)A 250V ~ μ T125/55 VDE										
	Note: Only 3 position switches have μ symbol.										
	<b>Terminal type inches (mm)</b>										
	F 0.250* (6.3) QC T 0.250 (6.3) Solder Tag										
	<b>Actuator Color</b>										
	A Amber B Black E Charcoal Grey G Green R Red W White Y Grey S Semi-transparent Red (nylon)										
	<b>Splashproof</b>										
	E 0.476 (12.10) Non-Washable F 0.528 (13.41) Non-washable G 0.543 (13.79) Non-washable W* 0.543(13.79) Washable - IP42										

\*Note: Washable versions not lighted

**Examples of Common Part Numbers and Descriptions inches (mm)**

Part Number	Circuitry	Switch Function	Terminal Type	Actuator/ Housing Color	Legend Marking
CRE22F2FBBNE		On - Off	0.250 (6.3) Quick-Connect	Black/Black	
CRE22F4BBBNE		On - Off	0.250 (6.3) Quick-Connect	Red-Black/Black	
CRE24F2HBBNE		On - Off - On	0.250 (6.3) Quick-Connect	Black/Black	
CRE22F2BBRLLE		On - Off/Lighted	0.250 (6.3) Quick-Connect	Red/Black	
CRE22F4BBBNW		On - Off	0.250 (6.3) Quick-Connect	Red-Black/Black Splash-Proof	

**Contact**

Call, fax or visit our Website for more information.

**ZF Electronics Corporation**  
11200 88th Avenue  
Pleasant Prairie, WI 53158

Phone: 262.942.6500  
Web: [www.cherrycorp.com](http://www.cherrycorp.com)  
Email: [cep\\_sales@zf.com](mailto:cep_sales@zf.com)  
Fax: 262.942.6566

The manufacturer accepts no liability for errors or non-availability, and reserves the right to change specifications without prior notice.

Technical data relates to product specifications only. Features may differ from those described. Only drawings combined with product specifications shall be deemed binding.

© 2007 ZF Electronics Corporation

Last Updated 10/01/12

