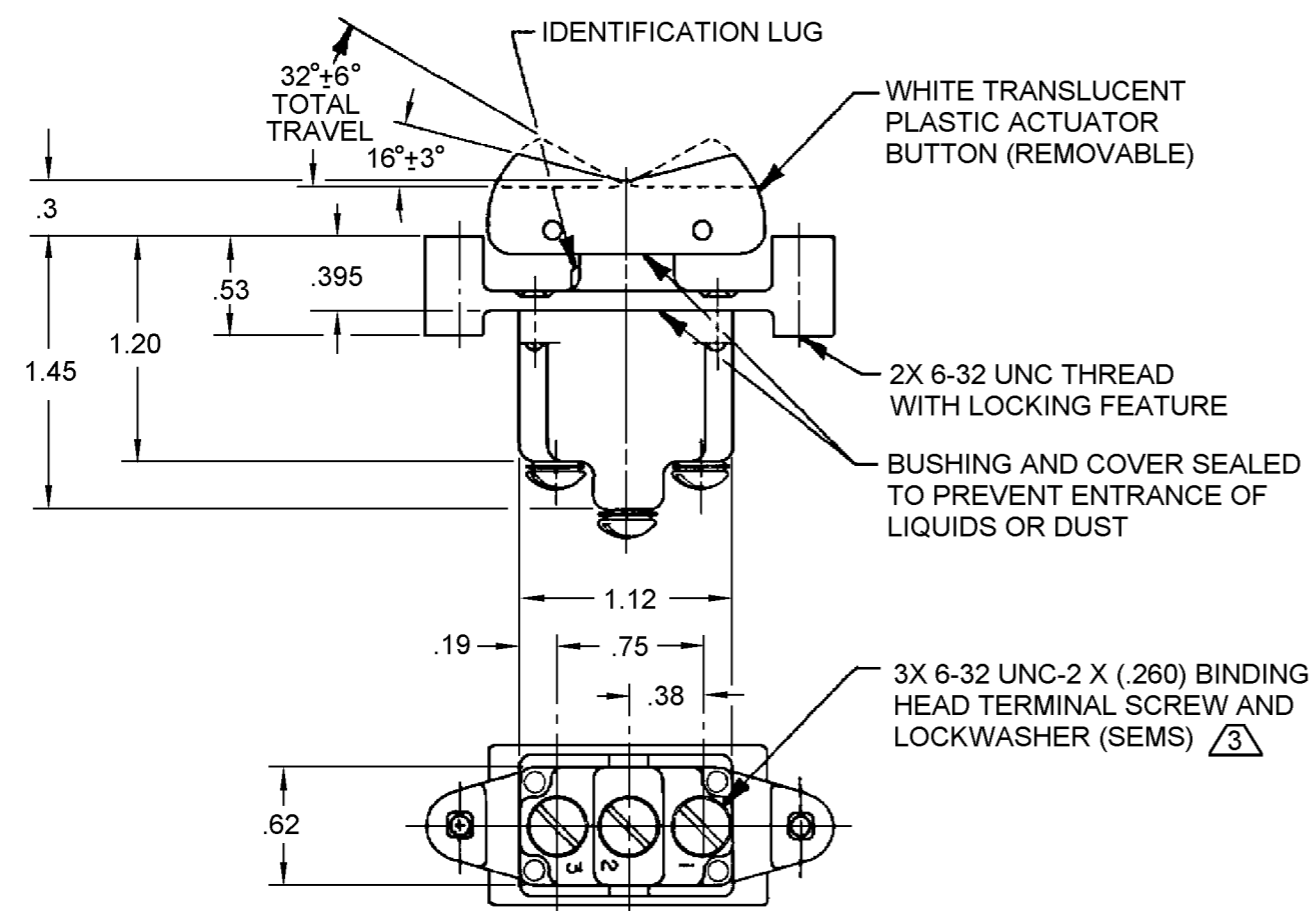
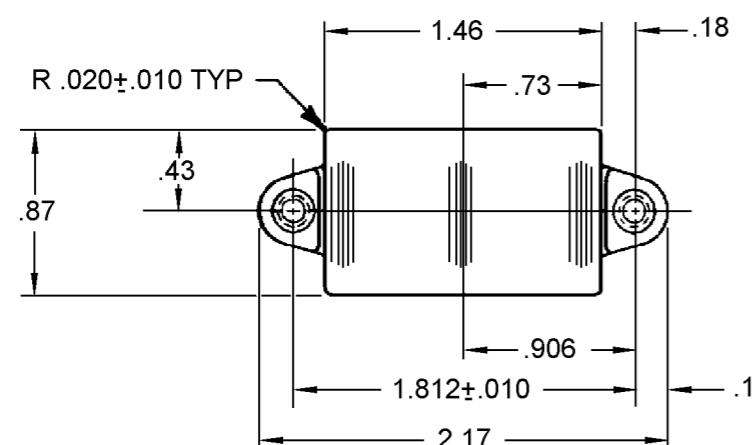


CATALOG LISTING	CIRCUIT MADE WITH BUTTON DEPRESSED ON			ELECTRICAL DATA
	LUG SIDE (1-2)	CENTER (1-2)	OPPOSITE LUG (2-3)	
1TP271-1	ON	OFF	ON	15A 125, <u>250</u> , 277 VAC 1/2HP 125 VAC 1HP <u>250</u> , 277 VAC 5A 125 VAC "L" L191 L288
1TP271-2	OFF	NONE	ON	
1TP271-3	ON	NONE	ON	
1TP271-21	NONE	OFF	ON	
1TP271-31	NONE	ON	ON	
1TP271-4	MOM OFF	NONE	ON	10A 125, <u>250</u> , 277 VAC 1/4HP 125 VAC, 1/2HP <u>250</u> , 277 VAC 3A 125 VAC "L" L192 L288
1TP271-5	MOM ON	OFF	ON	
1TP271-6	MOM ON	NONE	OFF	
1TP271-7	MOM ON	OFF	MOM ON	
1TP271-8	MOM ON	NONE	ON	
1TP271-51	NONE	ON	MOM ON	
1TP271-61	MOM ON	OFF	NONE	



- NOTES**  
 1 - MICRO SWITCH CATALOG LISTING ON SIDE OF SWITCH  
 2 - THESE SWITCHES WILL WITHSTAND TEMPERATURE OF 160° F  
 3 - SCREWS FURNISHED UNASSEMBLED  
 4 - GOLD PLATED CONTACTS AND INSERTS

THIRD ANGLE PROJECTION

SCALE FULL

DO NOT SCALE PRINT

UNLESS OTHERWISE SPECIFIED TOLERANCES ARE

ONE PLACE	(.0)	±.030
TWO PLACE	(.00)	±.015
THREE PLACE	(.000)	±.005
ANGLES		±

WEIGHT .10 LB EST

CATALOG LISTING  
**1TP271 SERIES CHART 1**  
PAGE 1 OF 1  
RELEASE NO. 0001598  
ISSUE **A**  
REVISIONS  
CHECK  
3 OCT 03  
SAV  
3 OCT 03  
DRAWN  
CSL  
3 OCT 03  
RASTER