



**MICROCHIP**

---

**MCP1632**  
**300 kHz Boost Converter**  
**Demo Board**  
**User's Guide**

---

**Note the following details of the code protection feature on Microchip devices:**

- Microchip products meet the specification contained in their particular Microchip Data Sheet.
- Microchip believes that its family of products is one of the most secure families of its kind on the market today, when used in the intended manner and under normal conditions.
- There are dishonest and possibly illegal methods used to breach the code protection feature. All of these methods, to our knowledge, require using the Microchip products in a manner outside the operating specifications contained in Microchip's Data Sheets. Most likely, the person doing so is engaged in theft of intellectual property.
- Microchip is willing to work with the customer who is concerned about the integrity of their code.
- Neither Microchip nor any other semiconductor manufacturer can guarantee the security of their code. Code protection does not mean that we are guaranteeing the product as "unbreakable."

Code protection is constantly evolving. We at Microchip are committed to continuously improving the code protection features of our products. Attempts to break Microchip's code protection feature may be a violation of the Digital Millennium Copyright Act. If such acts allow unauthorized access to your software or other copyrighted work, you may have a right to sue for relief under that Act.

---

Information contained in this publication regarding device applications and the like is provided only for your convenience and may be superseded by updates. It is your responsibility to ensure that your application meets with your specifications. MICROCHIP MAKES NO REPRESENTATIONS OR WARRANTIES OF ANY KIND WHETHER EXPRESS OR IMPLIED, WRITTEN OR ORAL, STATUTORY OR OTHERWISE, RELATED TO THE INFORMATION, INCLUDING BUT NOT LIMITED TO ITS CONDITION, QUALITY, PERFORMANCE, MERCHANTABILITY OR FITNESS FOR PURPOSE. Microchip disclaims all liability arising from this information and its use. Use of Microchip devices in life support and/or safety applications is entirely at the buyer's risk, and the buyer agrees to defend, indemnify and hold harmless Microchip from any and all damages, claims, suits, or expenses resulting from such use. No licenses are conveyed, implicitly or otherwise, under any Microchip intellectual property rights.

**Trademarks**

The Microchip name and logo, the Microchip logo, dsPIC, FlashFlex, KEELOQ, KEELOQ logo, MPLAB, PIC, PICmicro, PICSTART, PIC<sup>32</sup> logo, rPIC, SST, SST Logo, SuperFlash and UNI/O are registered trademarks of Microchip Technology Incorporated in the U.S.A. and other countries.

FilterLab, Hampshire, HI-TECH C, Linear Active Thermistor, MTP, SEEVAL and The Embedded Control Solutions Company are registered trademarks of Microchip Technology Incorporated in the U.S.A.

Silicon Storage Technology is a registered trademark of Microchip Technology Inc. in other countries.


Analog-for-the-Digital Age, Application Maestro, BodyCom, chipKIT, chipKIT logo, CodeGuard, dsPICDEM, dsPICDEM.net, dsPICworks, dsSPEAK, ECAN, ECONOMONITOR, FanSense, HI-TIDE, In-Circuit Serial Programming, ICSP, Mindi, MiWi, MPASM, MPF, MPLAB Certified logo, MPLIB, MPLINK, mTouch, Omniscent Code Generation, PICC, PICC-18, PICDEM, PICDEM.net, PICkit, PICtail, REAL ICE, rLAB, Select Mode, SQI, Serial Quad I/O, Total Endurance, TSHARC, UniWinDriver, WiperLock, ZENA and Z-Scale are trademarks of Microchip Technology Incorporated in the U.S.A. and other countries.

SQTP is a service mark of Microchip Technology Incorporated in the U.S.A.

GestIC and ULPP are registered trademarks of Microchip Technology Germany II GmbH & Co. KG, a subsidiary of Microchip Technology Inc., in other countries.

All other trademarks mentioned herein are property of their respective companies.

© 2014, Microchip Technology Incorporated, Printed in the U.S.A., All Rights Reserved.

 Printed on recycled paper.

ISBN: 978-1-62077-8401

**QUALITY MANAGEMENT SYSTEM  
CERTIFIED BY DNV  
= ISO/TS 16949 =**

*Microchip received ISO/TS-16949:2009 certification for its worldwide headquarters, design and wafer fabrication facilities in Chandler and Tempe, Arizona; Gresham, Oregon and design centers in California and India. The Company's quality system processes and procedures are for its PIC<sup>®</sup> MCUs and dsPIC<sup>®</sup> DSCs, KEELOQ<sup>®</sup> code hopping devices, Serial EEPROMs, microperipherals, nonvolatile memory and analog products. In addition, Microchip's quality system for the design and manufacture of development systems is ISO 9001:2000 certified.*

---

---

**Object of Declaration: MCP1632 300 kHz Boost Converter Demo Board User's Guide**

EU Declaration of Conformity


This declaration of conformity is issued by the manufacturer.

The development/evaluation tool is designed to be used for research and development in a laboratory environment. This development/evaluation tool is not intended to be a finished appliance, nor is it intended for incorporation into finished appliances that are made commercially available as single functional units to end users. This development/evaluation tool complies with EU EMC Directive 2004/108/EC and as supported by the European Commission's Guide for the EMC Directive 2004/108/EC (8<sup>th</sup> February 2010).

This development/evaluation tool complies with EU RoHS2 Directive 2011/65/EU.

For information regarding the exclusive, limited warranties applicable to Microchip products, please see Microchip's standard terms and conditions of sale, which are printed on our sales documentation and available at [www.microchip.com](http://www.microchip.com).

Signed for and on behalf of Microchip Technology Inc. at Chandler, Arizona, USA

  
Derek Carlson  
VP Development Tools

  
Date

# MCP1632 300 kHz Boost Converter Demo Board User's Guide

---

---

NOTES:



# MCP1632 300 KHZ BOOST CONVERTER DEMO BOARD USER'S GUIDE

---

---

## Table of Contents

---

---

<b>Preface</b> .....	<b>7</b>
Introduction.....	7
Document Layout .....	7
Conventions Used in this Guide .....	8
Recommended Reading.....	9
The Microchip Web Site .....	9
Customer Support .....	9
Document Revision History .....	9
<b>Chapter 1. Product Overview</b>	
1.1 Introduction .....	11
1.2 Short Overview: MCP1632 PWM Controller .....	11
1.3 What is the MCP1632 300 kHz Boost Converter Demo Board? .....	12
1.4 What is Contained in the MCP1632 300 kHz Boost Converter Demo Board Kit? .....	12
<b>Chapter 2. Installation and Operation</b>	
2.1 Introduction .....	13
2.2 Getting Started .....	13
<b>Appendix A. Schematic and Layouts</b>	
A.1 Introduction .....	17
A.2 Board – Schematic .....	18
A.3 Board – Top Silk .....	19
A.4 Board – Top Copper and Silk .....	20
A.5 Board – Top Copper .....	21
A.6 Board – Bottom Cooper .....	22
A.7 Board – Bottom Copper and Silk .....	23
A.8 Board – Bottom Silk .....	24
<b>Appendix B. Bill of Materials</b>	
<b>Appendix C. Typical Performance Data, Curves and Waveforms</b>	
C.1 Performance Overview .....	27
<b>Worldwide Sales and Service</b> .....	<b>32</b>

# MCP1632 300 kHz Boost Converter Demo Board User's Guide

---

---

NOTES:



# MCP1632 300 KHZ BOOST CONVERTER DEMO BOARD USER'S GUIDE

## Preface

### NOTICE TO CUSTOMERS

All documentation becomes dated, and this manual is no exception. Microchip tools and documentation are constantly evolving to meet customer needs, so some actual dialogs and/or tool descriptions may differ from those in this document. Please refer to our web site ([www.microchip.com](http://www.microchip.com)) to obtain the latest documentation available.

Documents are identified with a “DS” number. This number is located on the bottom of each page, in front of the page number. The numbering convention for the DS number is “DSXXXXA”, where “XXXX” is the document number and “A” is the revision level of the document.

For the most up-to-date information on development tools, see the MPLAB® IDE online help. Select the Help menu, and then Topics to open a list of available online help files.

## INTRODUCTION

This chapter contains general information that will be useful to know before using the MCP1632 300 kHz Boost Converter Demo Board. Items discussed in this chapter include:

- Document Layout
- Conventions Used in this Guide
- Recommended Reading
- The Microchip Web Site
- Customer Support
- Document Revision History

## DOCUMENT LAYOUT

This document describes how to use the MCP1632 300 kHz Boost Converter Demo Board as a development tool to emulate and debug firmware on a target board. The manual layout is as follows:

- **Chapter 1. “Product Overview”** – Shows a brief description of the MCP1632 300 kHz Boost Converter Demo Board.
- **Chapter 2. “Installation and Operation”** – Includes instructions on how to get started with the MCP1632 300 kHz Boost Converter Demo Board.
- **Appendix A. “Schematic and Layouts”** – Shows the schematic and layout diagrams for the MCP1632 300 kHz Boost Converter Demo Board.
- **Appendix B. “Bill of Materials”** – Lists the parts used to build the MCP1632 300 kHz Boost Converter Demo Board.
- **Appendix C. “Typical Performance Data, Curves and Waveforms”** – Shows the typical performance graphs.

# MCP1632 300 kHz Boost Converter Demo Board User's Guide

## CONVENTIONS USED IN THIS GUIDE

This manual uses the following documentation conventions:

### DOCUMENTATION CONVENTIONS

Description	Represents	Examples
<b>Arial font:</b>		
Italic characters	Referenced books	<i>MPLAB<sup>®</sup> IDE User's Guide</i>
	Emphasized text	...is the <i>only</i> compiler...
Initial caps	A window	the Output window
	A dialog	the Settings dialog
	A menu selection	select Enable Programmer
Quotes	A field name in a window or dialog	"Save project before build"
Underlined, italic text with right angle bracket	A menu path	<u><i>File&gt;Save</i></u>
Bold characters	A dialog button	Click <b>OK</b>
	A tab	Click the <b>Power</b> tab
N'Rnnnn	A number in verilog format, where N is the total number of digits, R is the radix and n is a digit.	4'b0010, 2'hF1
Text in angle brackets < >	A key on the keyboard	Press <Enter>, <F1>
<b>Courier New font:</b>		
Plain Courier New	Sample source code	#define START
	Filenames	autoexec.bat
	File paths	c:\mcc18\h
	Keywords	_asm, _endasm, static
	Command-line options	-Opa+, -Opa-
	Bit values	0, 1
	Constants	0xFF, 'A'
Italic Courier New	A variable argument	<i>file.o</i> , where <i>file</i> can be any valid filename
Square brackets [ ]	Optional arguments	mcc18 [options] <i>file</i> [options]
Curly brackets and pipe character: {   }	Choice of mutually exclusive arguments; an OR selection	errorlevel {0 1}
Ellipses...	Replaces repeated text	var_name [, var_name...]
	Represents code supplied by user	void main (void) { ... }



## RECOMMENDED READING

This user's guide describes how to use MCP1632 300 kHz Boost Converter Demo Board. Other useful documents are listed below. The following Microchip documents are available and recommended as supplemental reference resources.

- **MCP1632 Data Sheet – “High-Speed Low-Side PWM Controller” (DS20005254)**

## THE MICROCHIP WEB SITE

Microchip provides online support via our web site at [www.microchip.com](http://www.microchip.com). This web site is used as a means to make files and information easily available to customers. Accessible by using your favorite Internet browser, the web site contains the following information:

- **Product Support** – Data sheets and errata, application notes and sample programs, design resources, user's guides and hardware support documents, latest software releases and archived software
- **General Technical Support** – Frequently Asked Questions (FAQs), technical support requests, online discussion groups, Microchip consultant program member listing
- **Business of Microchip** – Product selector and ordering guides, latest Microchip press releases, listing of seminars and events, listings of Microchip sales offices, distributors and factory representatives

## CUSTOMER SUPPORT

Users of Microchip products can receive assistance through several channels:

- Distributor or Representative
- Local Sales Office
- Field Application Engineer (FAE)
- Technical Support

Customers should contact their distributor, representative or field application engineer (FAE) for support. Local sales offices are also available to help customers. A listing of sales offices and locations is included in the back of this document.

Technical support is available through the web site at:  
<http://www.microchip.com/support>

## DOCUMENT REVISION HISTORY

### Revision A (January 2014)

- Initial Release of this Document.

# MCP1632 300 kHz Boost Converter Demo Board User's Guide

---

---

NOTES:



# MCP1632 300 KHZ BOOST CONVERTER DEMO BOARD USER'S GUIDE

---

---

## Chapter 1. Product Overview

---

---

### 1.1 INTRODUCTION

This chapter provides an overview of the MCP1632 300 kHz Boost Converter Demo Board and covers the following topics:

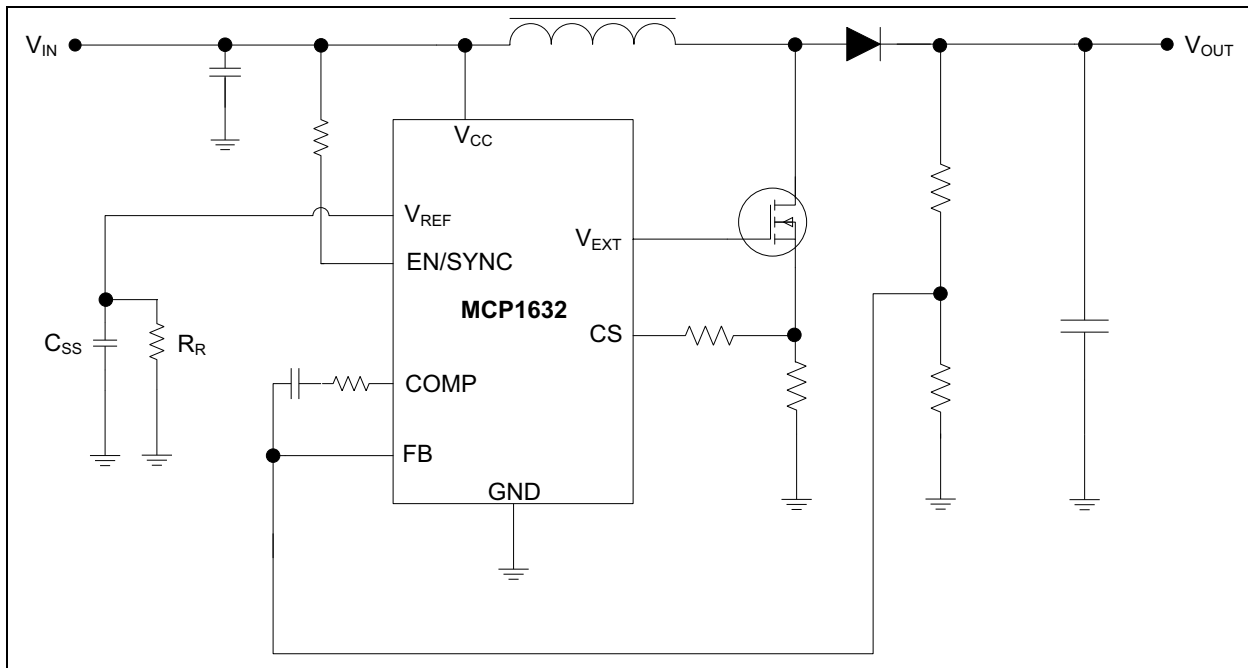
- Short Overview: MCP1632 PWM Controller
- What is the MCP1632 300 kHz Boost Converter Demo Board?
- What is Contained In the MCP1632 300 kHz Boost Converter Demo Board Kit?

### 1.2 SHORT OVERVIEW: MCP1632 PWM CONTROLLER

The MCP1632 is a high-speed, Current Mode PWM controller intended for applications that require low-side MOSFET control, such as the Boost, Flyback or SEPIC converters. The MCP1632 converter integrates all the blocks necessary to develop a standalone switch-mode power supply. The MCP1632 PWM controller offers great flexibility to designers, as the power train can be tailored for various applications and power levels. The MCP1632 converter includes: internal oscillator with two options for switching frequency (300 kHz and 600 kHz), adjustable reference voltage generator and adjustable soft-start time, internal ramp generator for slope compensation and blanking circuit for current sense (CS) signal, and an Undervoltage Lockout circuit (UVLO). The MCP1632 PWM converter can be easily interfaced with PIC<sup>®</sup> microcontrollers in order to develop intelligent solutions. The MCP1632 converter accepts input bias voltages between 3V and 5.5V. For larger input voltages, a linear voltage regulator can be used to provide the necessary bias voltage.

Typical applications include: general purpose DC-DC converters, LED drivers, batteries chargers and bias generators.

# MCP1632 300 kHz Boost Converter Demo Board User's Guide



**FIGURE 1-1:** MCP1632 Typical Application for Peak Current Mode Control.

## 1.3 WHAT IS THE MCP1632 300 KHZ BOOST CONVERTER DEMO BOARD?

The MCP1632 300 kHz Boost Converter Demo Board is a compact, highly efficient, step-up voltage converter that will convert the input voltage rail (typically 5V) to a regulated 12V output voltage. The maximum output current for this demo board is 0.9A. The board demonstrates the capabilities of the MCP1632 PWM controller. Test points for various signals are provided for measuring different parameters of the converter. The demo board can be modified to support output voltages from 9V to 15V by changing a single resistor.

## 1.4 WHAT IS CONTAINED IN THE MCP1632 300 KHZ BOOST CONVERTER DEMO BOARD KIT?

This MCP1632 300 kHz Boost Converter Demo Board kit includes the following items:

- MCP1632 300 kHz Boost Converter Demo Board (ADM00530)
- Important Information Sheet

---

---

## Chapter 2. Installation and Operation

---

---

### 2.1 INTRODUCTION

The MCP1632 300 kHz Boost Converter Demo Board was developed to provide a compact, low-cost and highly efficient step-up conversion for low output currents.

The key features of this board include:

- Input Voltage Range: 3.6V to 5.5V
- Output Voltage: 12V (can be adjusted between 9V and 15V by changing a single resistor)
- Maximum Output Current: 0.9A
- 90% typical efficiency at 12V/0.8A output and 5V input
- 300 kHz fixed switching frequency
- Overcurrent Protection for MOSFETs
- Shutdown input for placing the converter in low-power Standby mode
- Undervoltage Lockout (UVLO) with 2.7V (Off) and 2.8V (On) typical thresholds

### 2.2 GETTING STARTED

The MCP1632 300 kHz Boost Converter Demo Board is fully assembled and tested to evaluate and demonstrate the capabilities of the MCP1632 PWM controller.

#### 2.2.1 Necessary Instruments and Tools

- Adjustable DC Power Supply with 0V-6V/5 A<sub>DC</sub> range output capability
- Electronic load with at least 1A current capability and load stepping capability
- Digital Oscilloscope with a minimum bandwidth of 50MHz
- Digital voltmeter/ammeter
- Optionally, a Network Analyzer/Bode Plot Analyzer for loop analysis
- Wires for connections; these wires must sustain high current, 4A for the connection between adjustable DC power supply and board, 1A for the connection between the board and the electronic load

#### 2.2.2 Setup procedure

To power up the MCP1632 300 kHz Boost Converter Demo Board, the following steps must be completed:

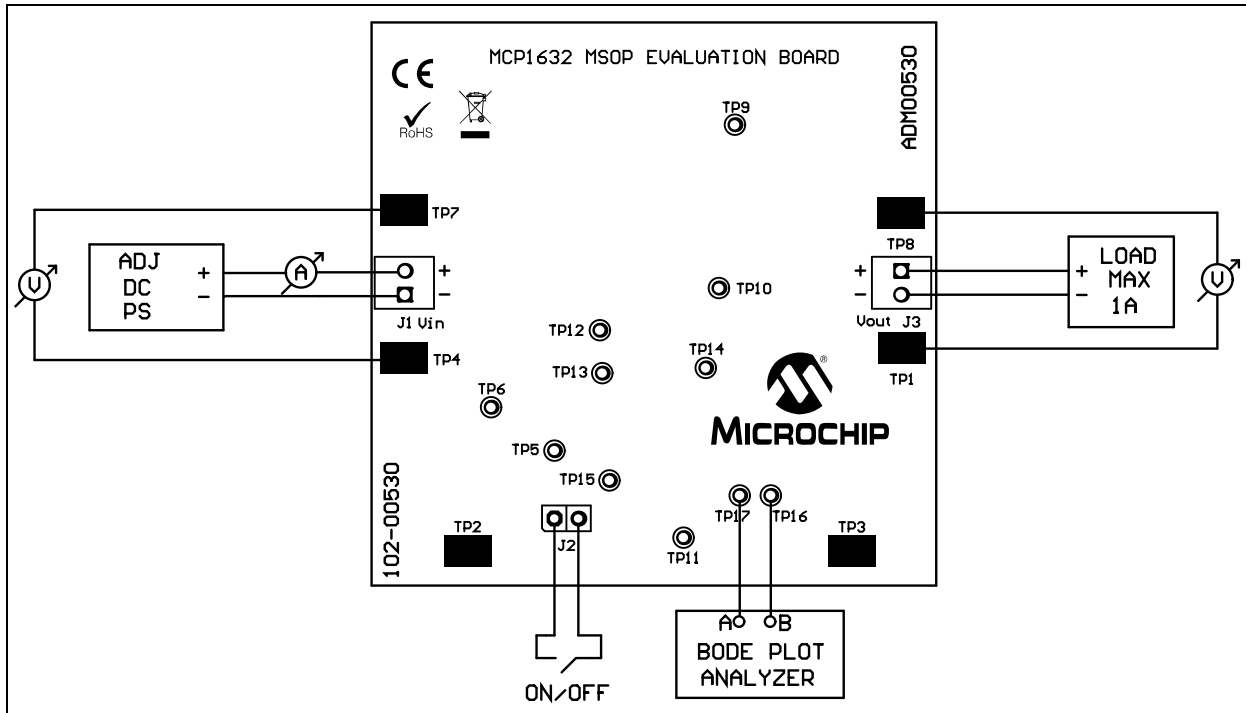
1. Connect the Electronic Load to J3 connector of the demo board; the "Positive" (+) and "Negative" (-) connector pins are marked on the board silkscreen.
2. Connect the Adjustable DC Power Supply to J1 connector of the demo board; the "Positive" (+) and "Negative" (-) connector pins are marked on the board silkscreen.
3. The DC voltage supplied by the Adjustable DC Power Supply must be between 3.6V and 5.5V.

# MCP1632 300 kHz Boost Converter Demo Board User's Guide

## 2.2.3 Board Testing

The typical testing setup is depicted in Figure 2-1. Table 2-1 shows all the available test points on the board.

The user can connect various instruments at the listed test points to evaluate the parameters of the converter. The typical performance data, curves and waveforms are presented in [Appendix C. "Typical Performance Data, Curves and Waveforms"](#). Note that some parameters vary with the input voltage (e.g., the maximum output current should not exceed 0.8A if the input voltage is below 4 V).



**FIGURE 2-1:** Typical Test Setup.

**TABLE 2-1: TEST POINTS DESCRIPTION**

Test Point	Label	Description
TP1, TP2, TP3, TP4	GND	Board GND
TP6, TP7	$V_{IN}$	Input voltage
TP5	SHDN	Shutdown input (EN pin of MCP1632)
TP14	CS	CS pin of MCP1632
TP12	MCS	MOSFET current sense resistor (R9)
TP10	DR	MOSFET drive signal (pin 6 of MCP1632)
TP9	SW	Main switch node (drain of Q1 MOSFET)
TP13	$V_{REF}$	Reference voltage (pin 8 of MCP1632)
TP8	$V_{OUT}$	Converter's output voltage
TP11	FB	Feedback voltage (pin 2 of MCP1632)
TP15	COMP	Output of the error amplifier (pin 2 of MCP1632)
TP16, TP17	CH B, CH A	Signal injection points for loop measurement

## 2.2.3.1 ADJUSTING THE OUTPUT VOLTAGE

The output voltage can be modified by changing the value of R8 from the feedback divider. The output voltage is set according to Equation 2-1.

### EQUATION 2-1: OUTPUT VOLTAGE

$$V_{OUT} = V_{REF} \times \frac{R3 + R8}{R8}$$

Where:

$$\begin{aligned} V_{REF}(V) &= R5(\Omega) \times 50 \times 10^{-6} \\ R3 &= 20 \text{ k}\Omega \end{aligned}$$

Do not modify the value of the R3 resistor (20 k $\Omega$ ) because this will affect the loop compensation of the system.

Some parameters, such as efficiency, the overcurrent protection thresholds and the input and output voltage ripple, can be affected by the modification of the output voltage.

Table 2-2 shows the standard value of the R8 resistor for several common output voltages.

**TABLE 2-2: OUTPUT VOLTAGE VERSUS R8 VALUE (R3 = 20 k $\Omega$ )**

V <sub>OUT</sub> (V)	R8 (k $\Omega$ )	V <sub>REF</sub> (V)
9	5.71	2
12	4.02	2
15	3.08	2

# MCP1632 300 kHz Boost Converter Demo Board User's Guide

---

---

NOTES:





# MCP1632 300 KHZ BOOST CONVERTER DEMO BOARD USER'S GUIDE

---

---

## Appendix A. Schematic and Layouts

---

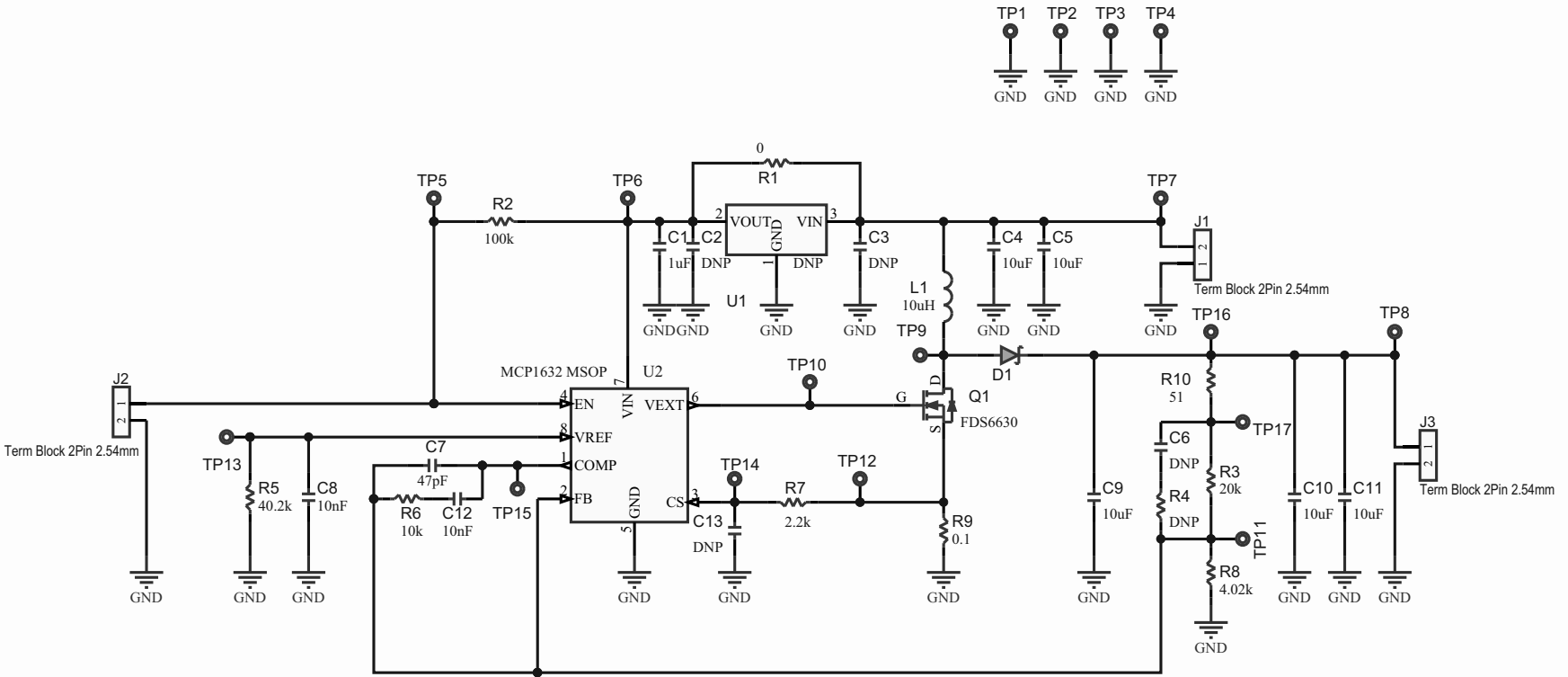
---

### A.1 INTRODUCTION

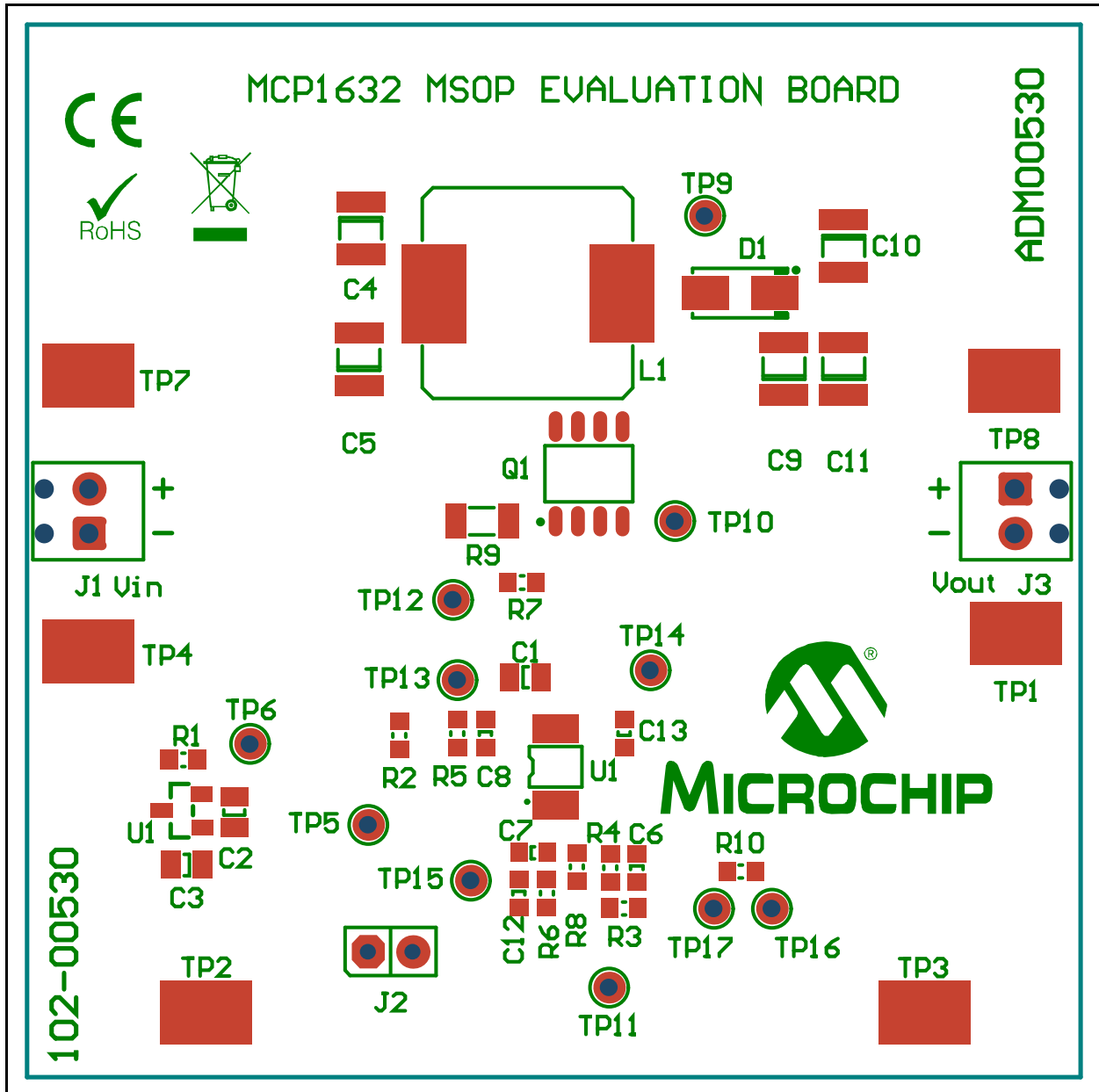
This appendix contains the following schematics and layouts for the MCP1632 300 kHz Boost Converter Demo Board:

- Board – Schematic
- Board – Top Silk
- Board – Top Copper and Silk
- Board – Top Copper
- Board – Bottom Cooper
- Board – Bottom Copper and Silk
- Board – Bottom Silk

## A.2 BOARD - SCHEMATIC

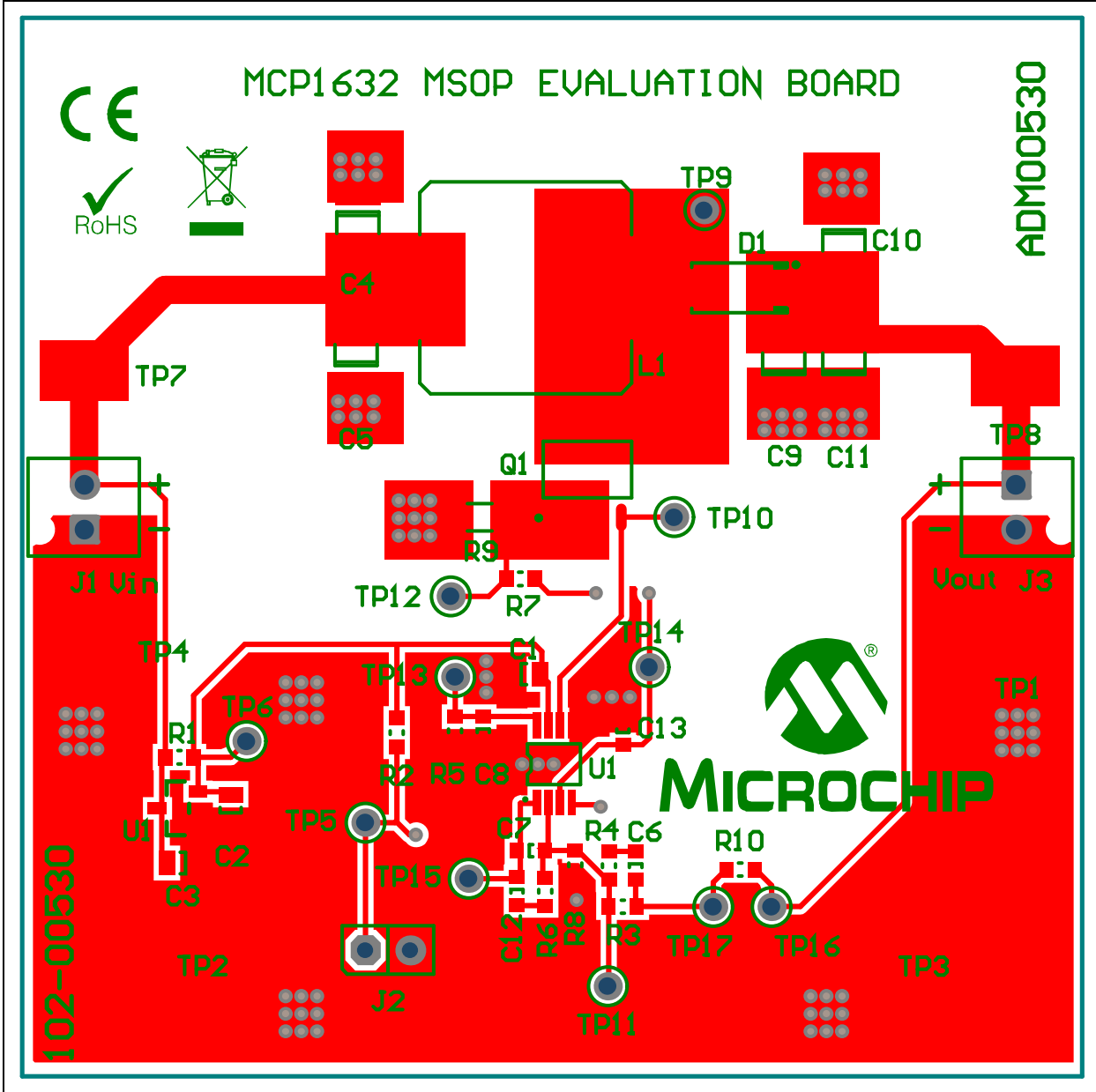


## A.3 BOARD – TOP SILK

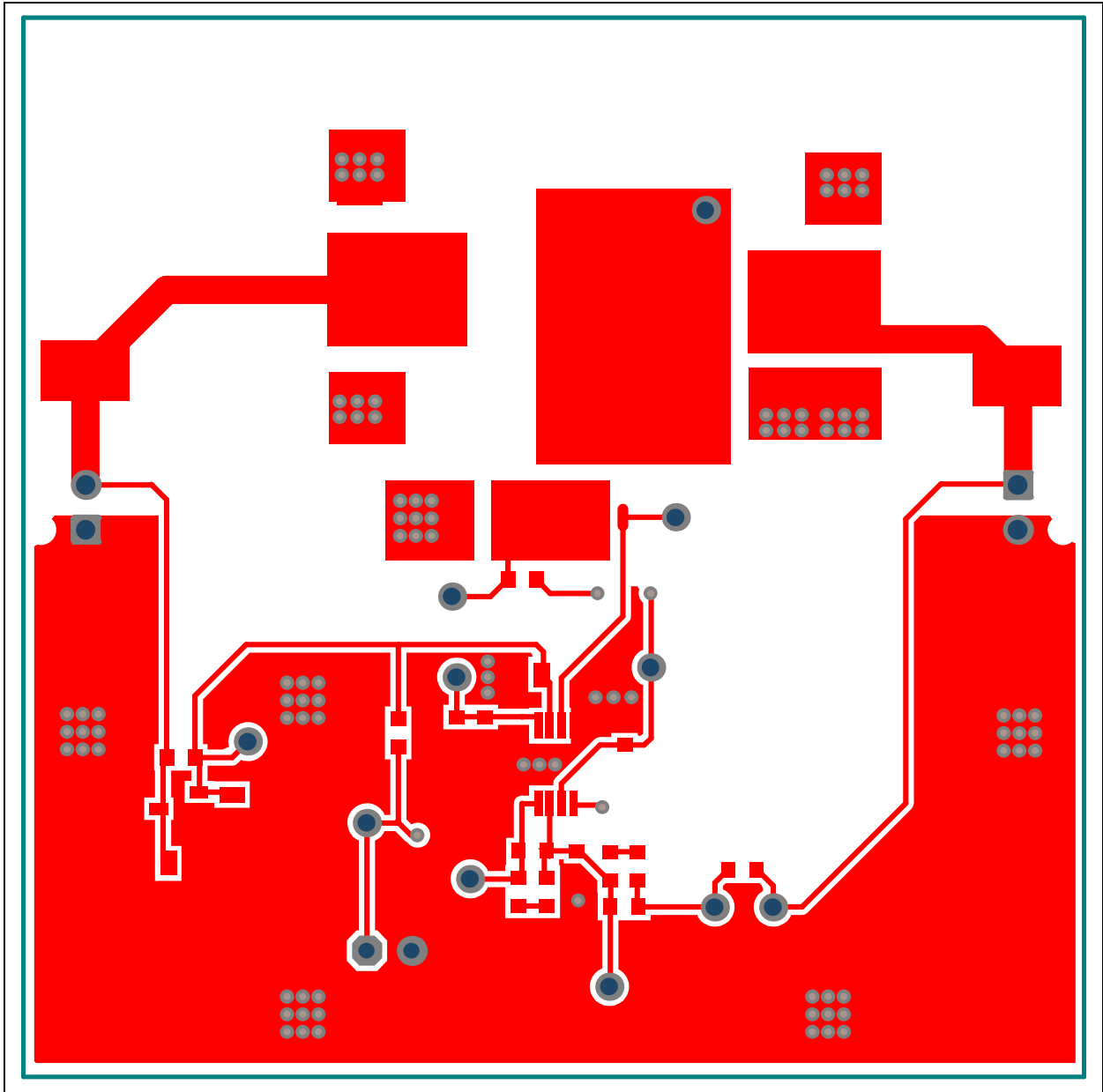


# MCP1632 300 kHz Boost Converter Demo Board User's Guide

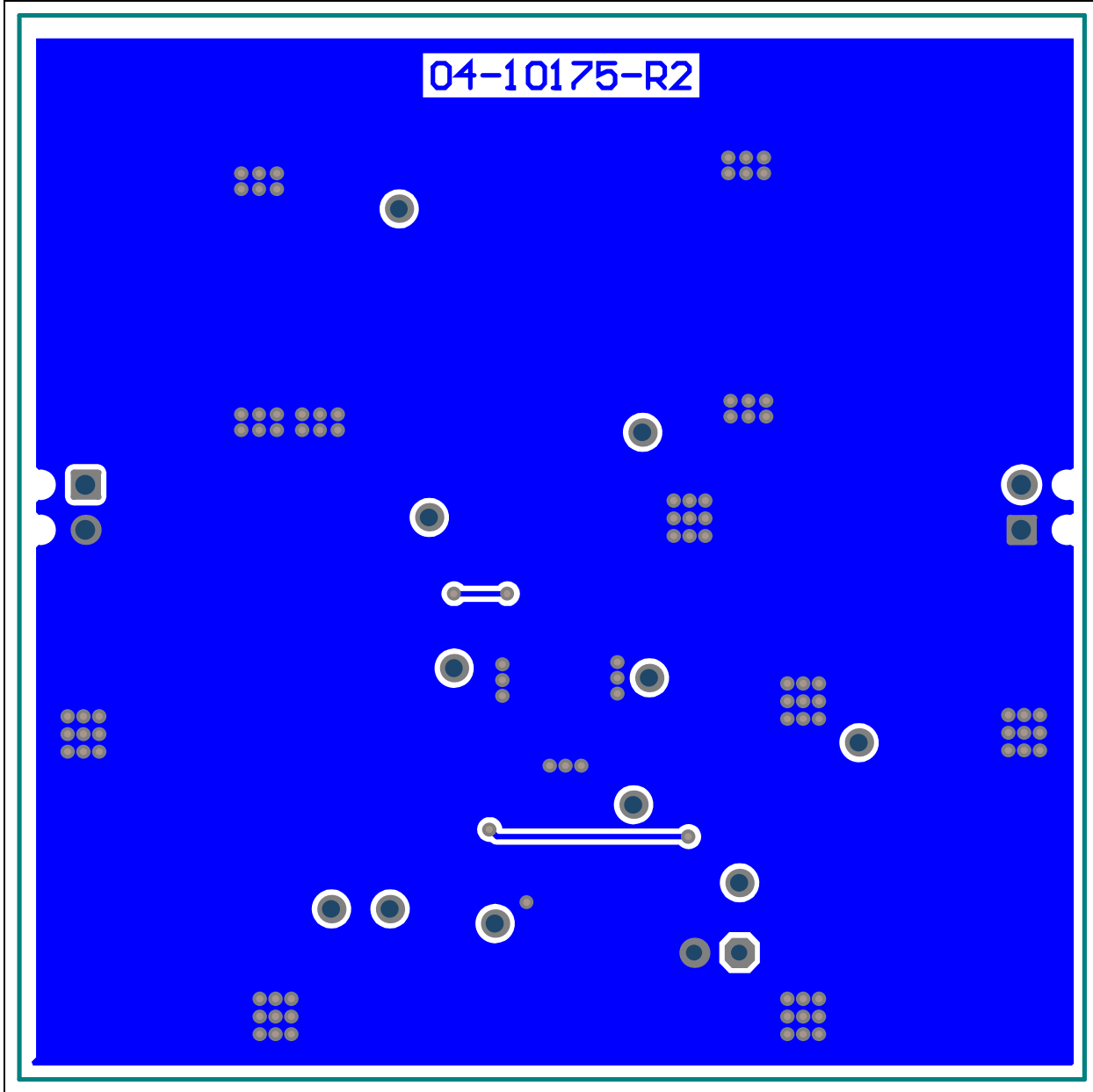
## A.4 BOARD – TOP COPPER AND SILK



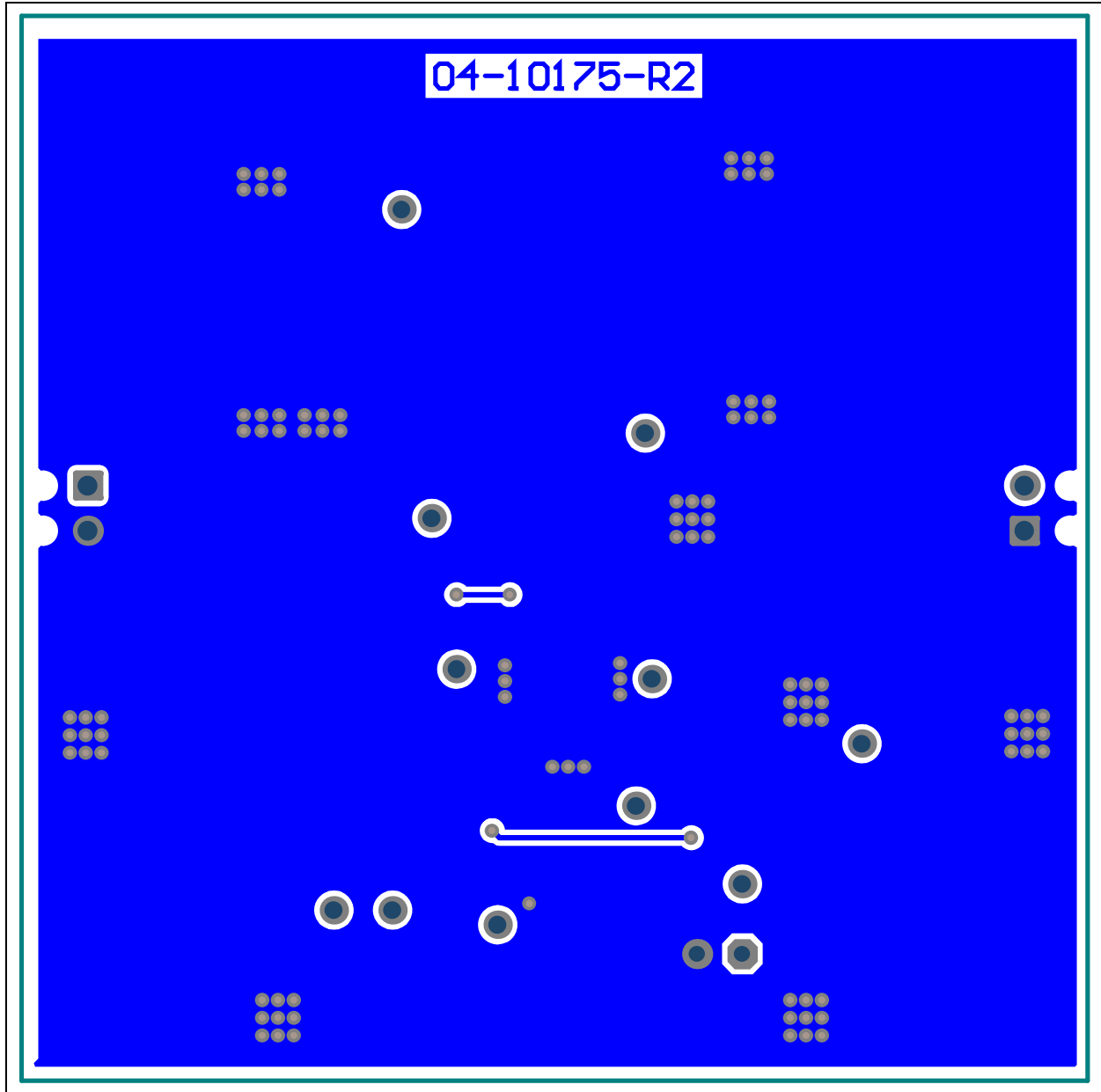
## A.5 BOARD – TOP COPPER



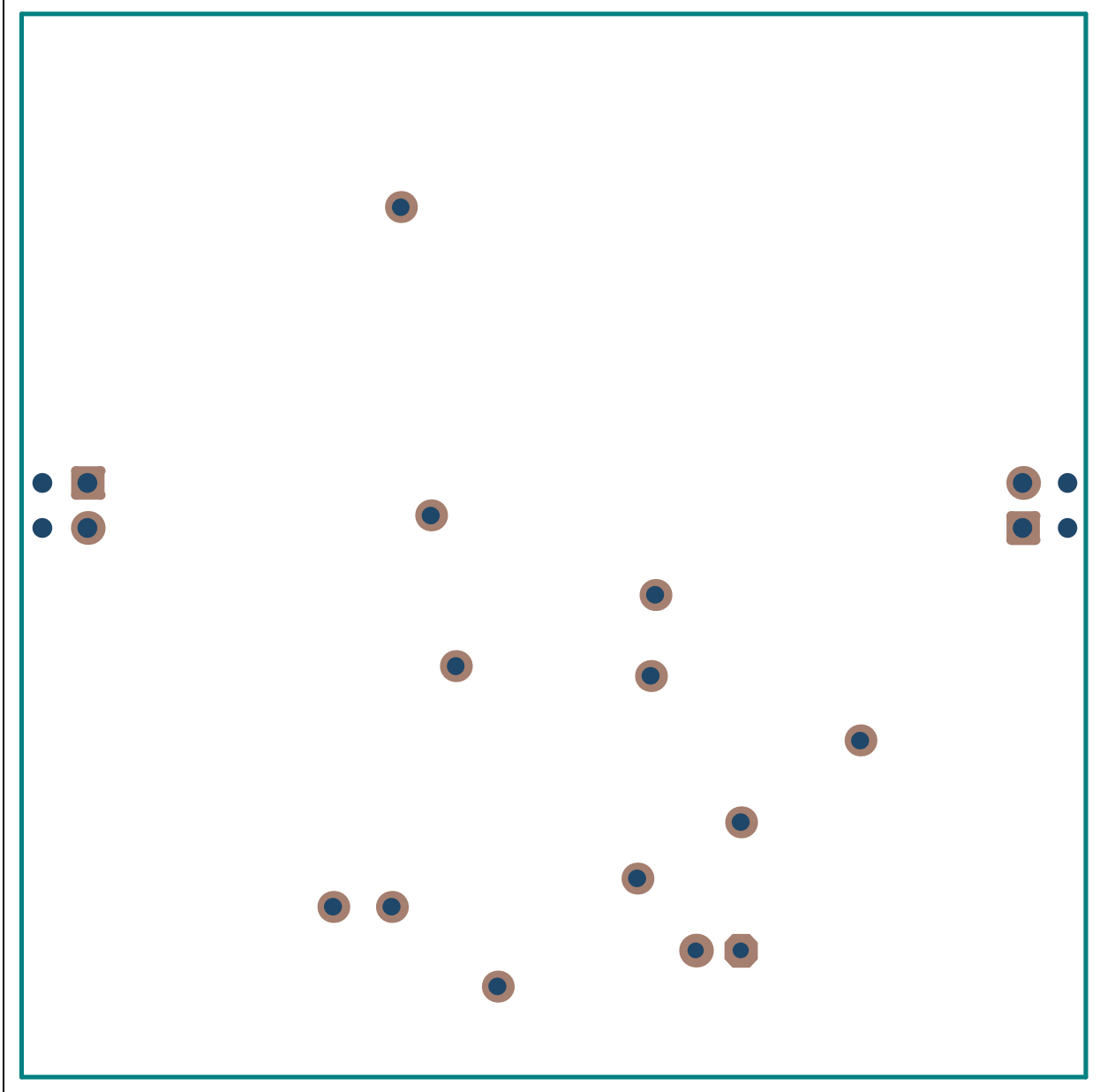
## A.6 BOARD – BOTTOM COOPER



## A.7 BOARD – BOTTOM COPPER AND SILK



## A.8 BOARD – BOTTOM SILK







# MCP1632 300 KHZ BOOST CONVERTER DEMO BOARD USER'S GUIDE

## Appendix B. Bill of Materials

**TABLE B-1: BILL OF MATERIALS (BOM)**

Qty	Reference	Description	Manufacturer	Part Number
1	C1	Cap. ceramic 1 $\mu$ F 16V 10% X7R 0805	Yageo Corporation	CC0805KKX7R7BB105
0	C2 – C3, C6, C13	<b>DO NOT POPULATE</b>	—	—
2	C4 – C5	Cap. ceramic 10 $\mu$ F 16V 10% X7R 1210	Samsung Electro-Mechanics America, Inc.	CL32B106KOULNNE
1	C7	Cap. ceramic 47 pF 100V 5% COG 0603	AVX Corporation	06031A470JAT2A
2	C8, C12	Cap. ceramic 10000 pF 25V 5% NP0 0603	TDK Corporation	C1608C0G1E103J080AA
3	C9 – C11	Cap. ceramic 10 $\mu$ F 25V 10% X7R 1210	TDK Corporation	C3225X7R1E106K
1	D1	Diode Schottky 40V 2A DO214AC	Vishay	SSA24-E3/61T
2	J1, J3	Conn. term. block 2.54 MM 2 POS	Phoenix Contact GmbH & Co.	1725656
2	J2	Conn. header Vert. 0.100" Gold	TE Connectivity, Ltd.	5-146868-1
1	L1	Inductor power 10 UH 4.00A SMD	EPCOS AG	B82477G2103M
	PCB	Printed Circuit Board - MCP1632 300 kHz Boost Converter Demo Board	—	104-00530
1	Q1	MOSFET N-Ch. 30V 6.5A 8 SOIC	Fairchild Semiconductor®	FDS6630A
1	R1	Res. 0 $\Omega$ 1/10W 0603 SMD	Panasonic® - ECG	ERJ-3GEY0R00V
1	R2	Res. 100 k $\Omega$ 1/10W 1% 0603 SMD	Panasonic - ECG	ERJ-3EKF1003V
1	R3	Res. 20.0 k $\Omega$ 1/10W 1% 0603 SMD	Panasonic - ECG	ERJ-3EKF2002V
0	R4	<b>DO NOT POPULATE</b>	—	—
1	R5	Res. 40.2 k $\Omega$ 1/10W 1% 0603 SMD	Yageo Corporation	RC0603FR-0740K2L
1	R6	Res. 10.0 k $\Omega$ 1/8W 1% SMD 0603	Vishay	MCT06030C1002FP500
1	R7	Res. 2.20 k $\Omega$ 1/8W 1% SMD 0603	Vishay	MCT06030C2201FP500
1	R8	Res. 4.02 k $\Omega$ 1/10W 1% 0603 SMD	Yageo Corporation	RC0603FR-074K02L
1	R9	Res. 0.1 $\Omega$ 1/2W 1% 1206 SMD	Bourns®, Inc.	CRM1206-FX-R100ELF
1	R10	Res. 51.0 $\Omega$ 1/10W 1% 0603 SMD	Yageo Corporation	RC0603FR-0751RL
5	TP1, TP3 – TP4, TP7 – TP8	PC test point compact SMT	Keystone Electronics Corp.	5016
0	TP5 – TP6, TP9 – TP17	<b>DO NOT POPULATE</b>	—	—
0	U1	<b>DO NOT POPULATE</b>	—	—
1	U2	High-Speed Boost Controller	Microchip Technology Inc.	<b>MCP1632-AAE/MS</b>

**Note 1:** The components listed in this Bill of Materials are representative of the PCB assembly. The released BOM used in manufacturing uses all RoHS-compliant components.

# **MCP1632 300 kHz Boost Converter Demo Board User's Guide**

---

---

NOTES:

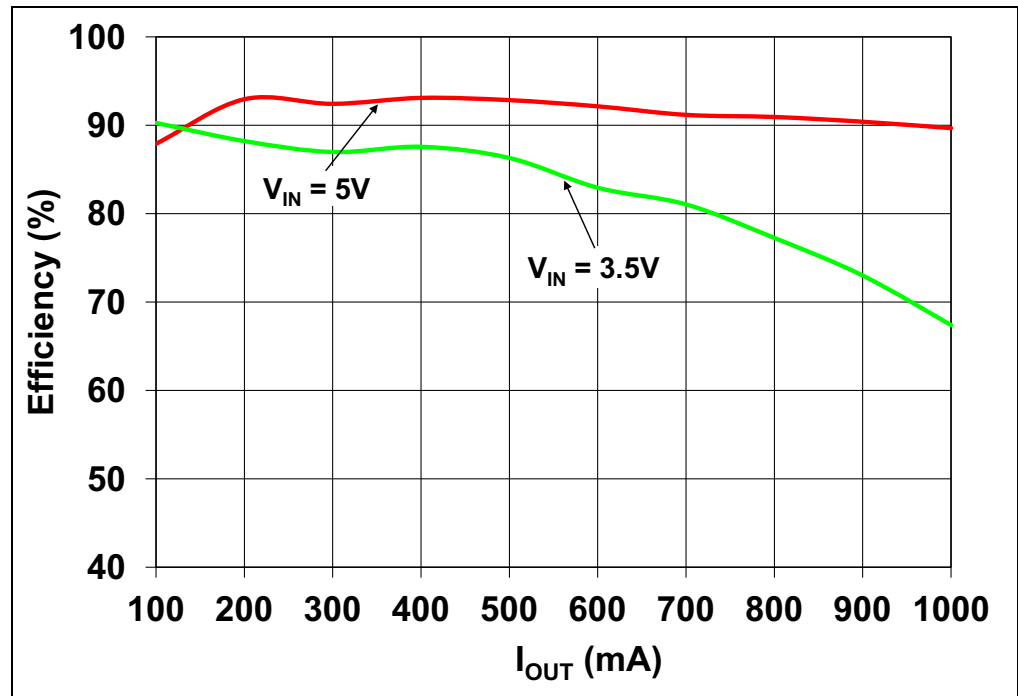
**Appendix C. Typical Performance Data, Curves and Waveforms**

**C.1 PERFORMANCE OVERVIEW**

This chapter shows some of the typical performance parameters and curves of the MCP1632 300 kHz Boost Converter Demo Board.

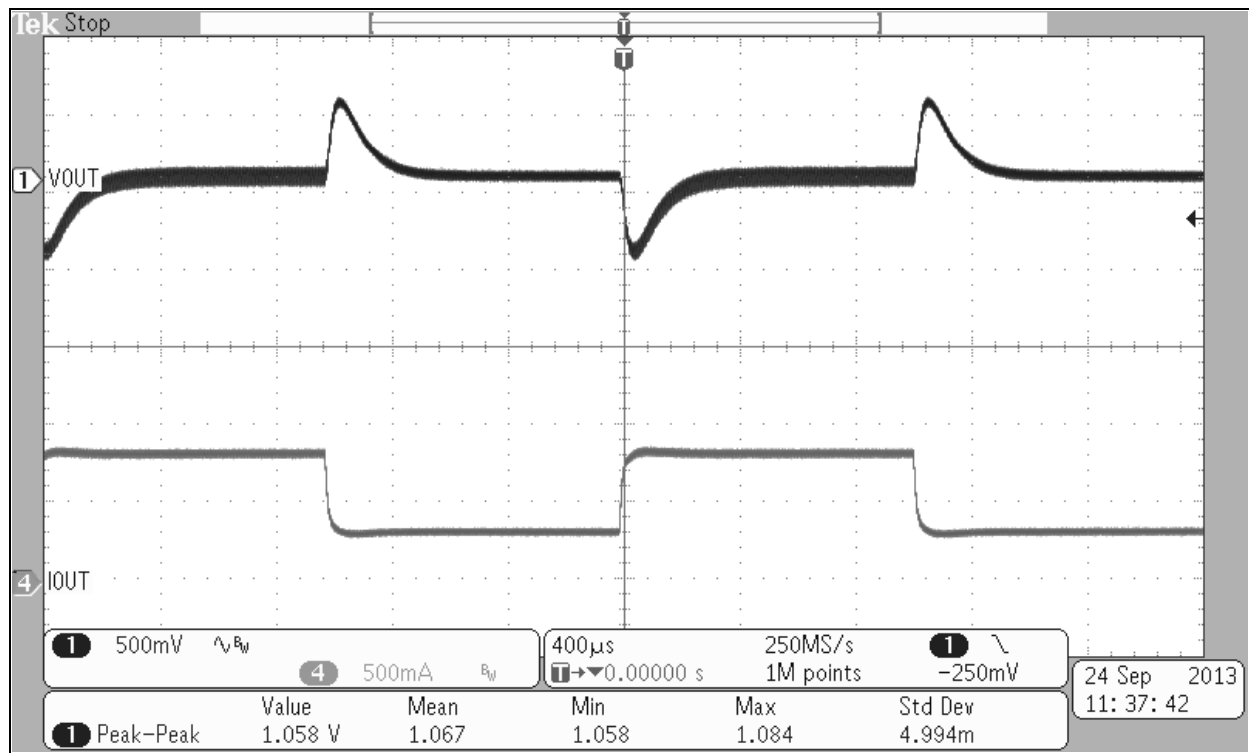
**TABLE C-1: CONVERTER PARAMETERS**

Parameter	Value	Comments
Input Voltage Range (V)	3.6 – 5.5	
Output Voltage (V)	12	±2.5% Tolerance
Maximum Output Current (A)	0.9	Steady State output current
Output Voltage Ripple (mV)	< 120	$V_{IN} = 5V, I_{OUT} = 0.85A$
Input Voltage Ripple (mV)	< 30	$V_{IN} = 5V, I_{OUT} = 0.85A$
Output Voltage Overshoot during Step Load (mV)	< 600	Step Load 0.3A to 0.8A
Switching Frequency (kHz)	250 – 350	Typical 300 kHz

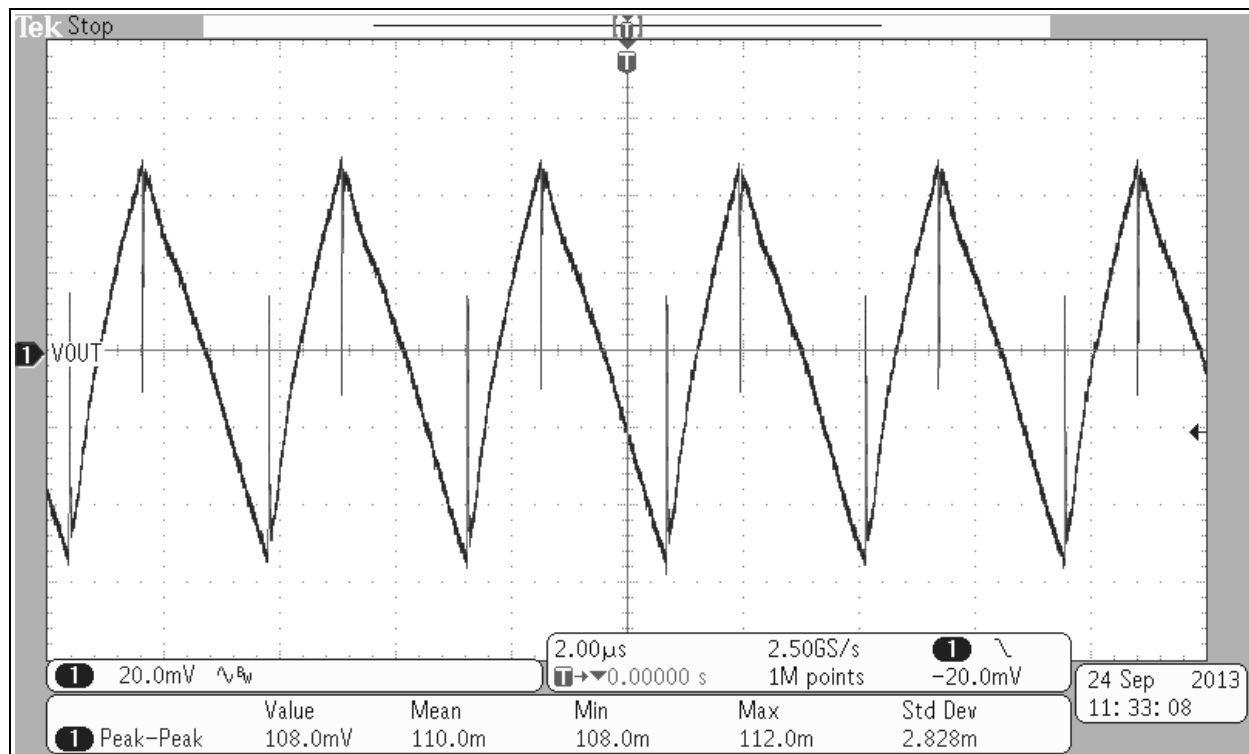


**FIGURE C-1:** Efficiency.

# MCP1632 300 kHz Boost Converter Demo Board User's Guide

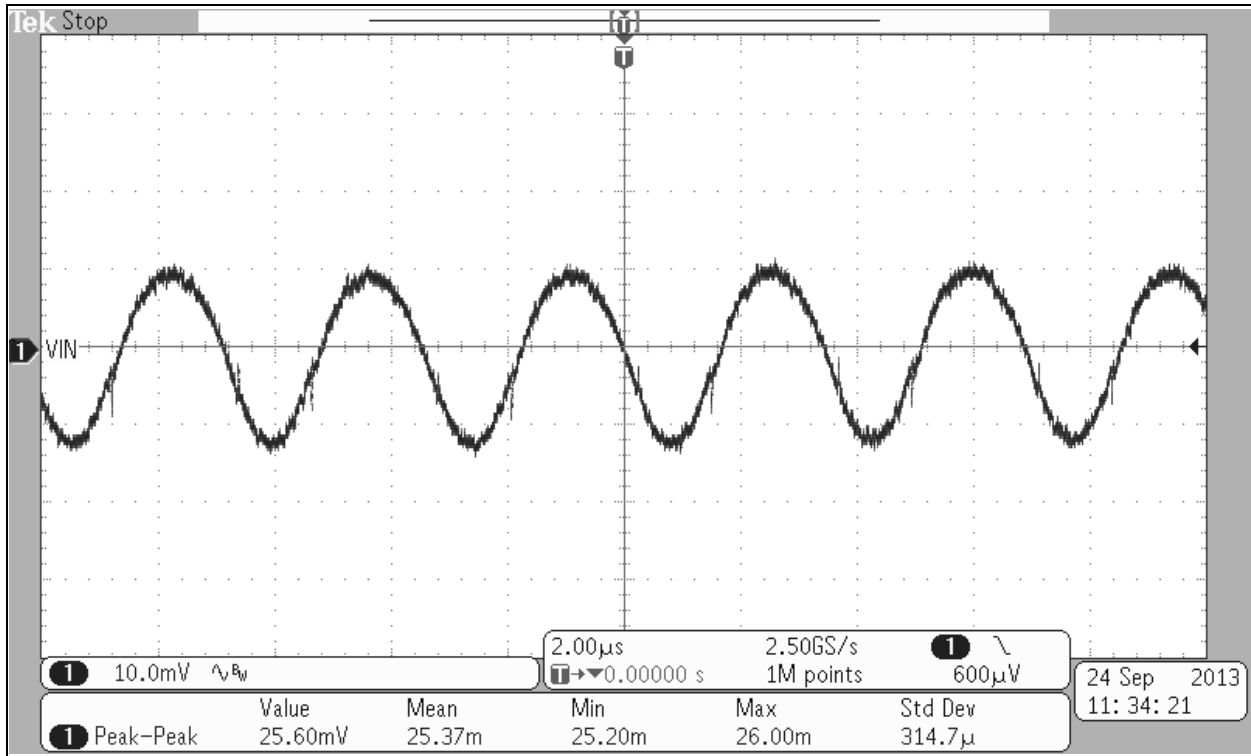


**FIGURE C-2:** Step Load ( $V_{IN} = 5V$ ).

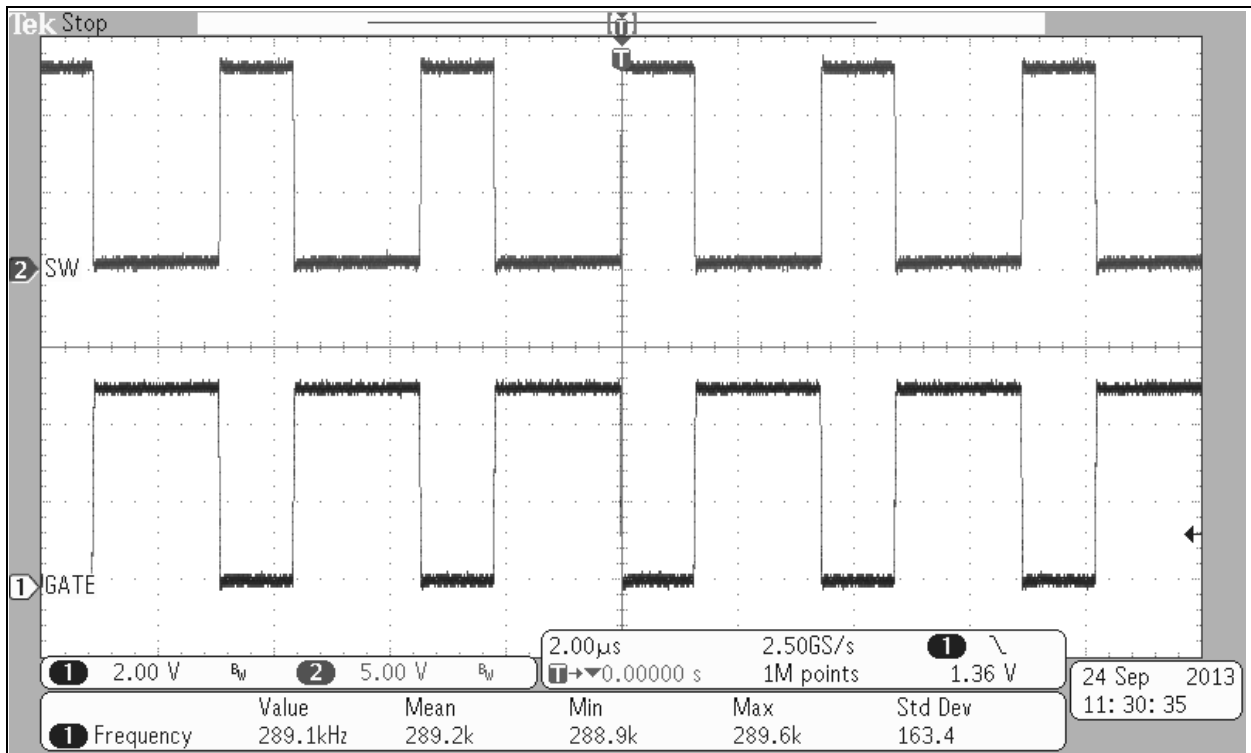


**FIGURE C-3:** Output Voltage Ripple/Noise ( $V_{IN} = 5V$ ,  $I_{OUT} = 0.85A$ ,  $BW = 200\text{ MHz}$ ).

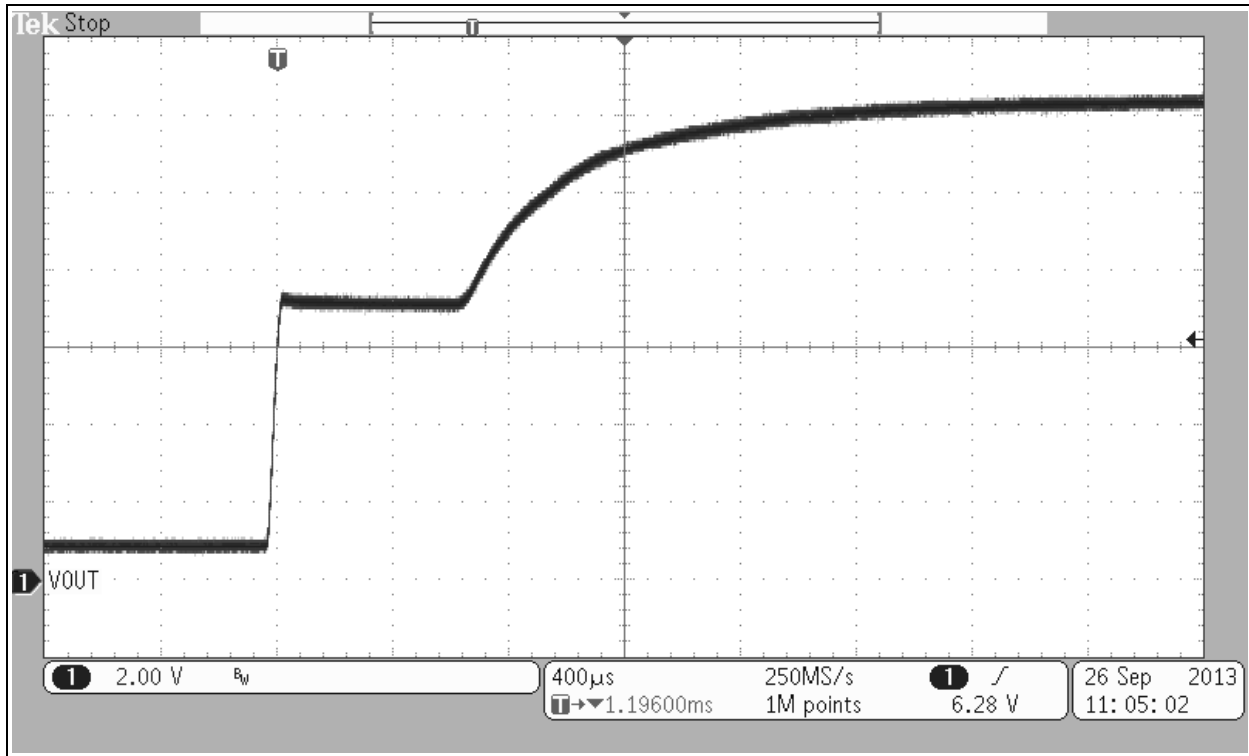
# Typical Performance Data, Curves and Waveforms



**FIGURE C-4:** Input Voltage Ripple/Noise ( $V_{IN} = 5V$ ,  $I_{OUT} = 0.85A$ ,  $BW = 200\text{ MHz}$ ).

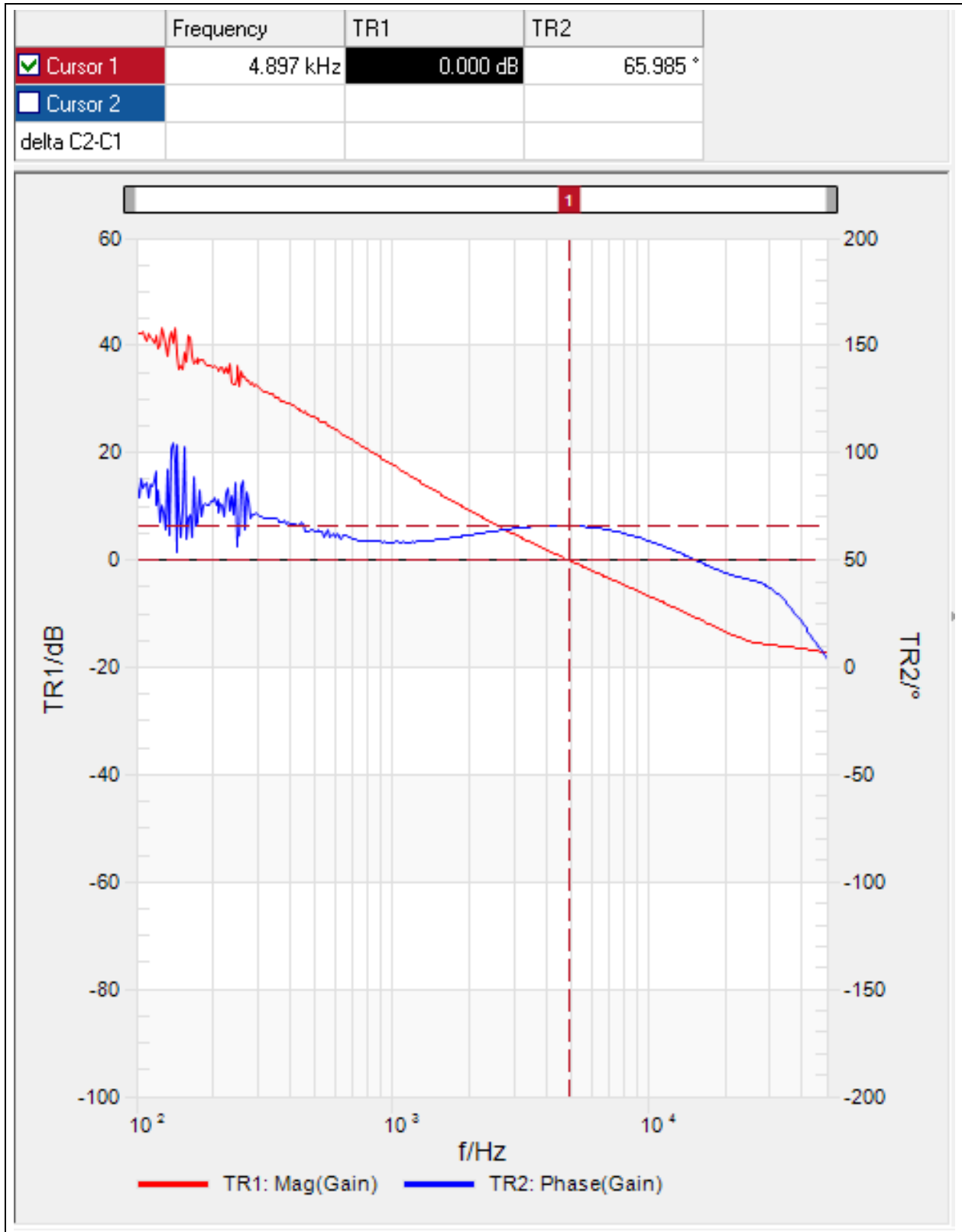


**FIGURE C-5:** SW and Gate Signals ( $V_{IN} = 5V$ ,  $I_{OUT} = 0.85A$ ,  $BW = 300\text{ MHz}$ ).



**FIGURE C-6:** Soft Start.

# Typical Performance Data, Curves and Waveforms



**FIGURE C-7:** Bode Plots (Red-Gain, Blue-Phase) ( $V_{IN} = 5V$ ,  $V_{OUT} = 12V$ ,  $I_{OUT} = 0.5A$ ).



# MICROCHIP

## Worldwide Sales and Service

### AMERICAS

**Corporate Office**  
2355 West Chandler Blvd.  
Chandler, AZ 85224-6199  
Tel: 480-792-7200  
Fax: 480-792-7277  
Technical Support:  
<http://www.microchip.com/support>  
Web Address:  
[www.microchip.com](http://www.microchip.com)

**Atlanta**  
Duluth, GA  
Tel: 678-957-9614  
Fax: 678-957-1455

**Austin, TX**  
Tel: 512-257-3370

**Boston**  
Westborough, MA  
Tel: 774-760-0087  
Fax: 774-760-0088

**Chicago**  
Itasca, IL  
Tel: 630-285-0071  
Fax: 630-285-0075

**Cleveland**  
Independence, OH  
Tel: 216-447-0464  
Fax: 216-447-0643

**Dallas**  
Addison, TX  
Tel: 972-818-7423  
Fax: 972-818-2924

**Detroit**  
Novi, MI  
Tel: 248-848-4000

**Houston, TX**  
Tel: 281-894-5983

**Indianapolis**  
Noblesville, IN  
Tel: 317-773-8323  
Fax: 317-773-5453

**Los Angeles**  
Mission Viejo, CA  
Tel: 949-462-9523  
Fax: 949-462-9608

**New York, NY**  
Tel: 631-435-6000

**San Jose, CA**  
Tel: 408-735-9110

**Canada - Toronto**  
Tel: 905-673-0699  
Fax: 905-673-6509

### ASIA/PACIFIC

**Asia Pacific Office**  
Suites 3707-14, 37th Floor  
Tower 6, The Gateway  
Harbour City, Kowloon  
Hong Kong  
Tel: 852-2401-1200  
Fax: 852-2401-3431

**Australia - Sydney**  
Tel: 61-2-9868-6733  
Fax: 61-2-9868-6755

**China - Beijing**  
Tel: 86-10-8569-7000  
Fax: 86-10-8528-2104

**China - Chengdu**  
Tel: 86-28-8665-5511  
Fax: 86-28-8665-7889

**China - Chongqing**  
Tel: 86-23-8980-9588  
Fax: 86-23-8980-9500

**China - Hangzhou**  
Tel: 86-571-2819-3187  
Fax: 86-571-2819-3189

**China - Hong Kong SAR**  
Tel: 852-2943-5100  
Fax: 852-2401-3431

**China - Nanjing**  
Tel: 86-25-8473-2460  
Fax: 86-25-8473-2470

**China - Qingdao**  
Tel: 86-532-8502-7355  
Fax: 86-532-8502-7205

**China - Shanghai**  
Tel: 86-21-5407-5533  
Fax: 86-21-5407-5066

**China - Shenyang**  
Tel: 86-24-2334-2829  
Fax: 86-24-2334-2393

**China - Shenzhen**  
Tel: 86-755-8864-2200  
Fax: 86-755-8203-1760

**China - Wuhan**  
Tel: 86-27-5980-5300  
Fax: 86-27-5980-5118

**China - Xian**  
Tel: 86-29-8833-7252  
Fax: 86-29-8833-7256

**China - Xiamen**  
Tel: 86-592-2388138  
Fax: 86-592-2388130

**China - Zhuhai**  
Tel: 86-756-3210040  
Fax: 86-756-3210049

### ASIA/PACIFIC

**India - Bangalore**  
Tel: 91-80-3090-4444  
Fax: 91-80-3090-4123

**India - New Delhi**  
Tel: 91-11-4160-8631  
Fax: 91-11-4160-8632

**India - Pune**  
Tel: 91-20-3019-1500

**Japan - Osaka**  
Tel: 81-6-6152-7160  
Fax: 81-6-6152-9310

**Japan - Tokyo**  
Tel: 81-3-6880-3770  
Fax: 81-3-6880-3771

**Korea - Daegu**  
Tel: 82-53-744-4301  
Fax: 82-53-744-4302

**Korea - Seoul**  
Tel: 82-2-554-7200  
Fax: 82-2-558-5932 or  
82-2-558-5934

**Malaysia - Kuala Lumpur**  
Tel: 60-3-6201-9857  
Fax: 60-3-6201-9859

**Malaysia - Penang**  
Tel: 60-4-227-8870  
Fax: 60-4-227-4068

**Philippines - Manila**  
Tel: 63-2-634-9065  
Fax: 63-2-634-9069

**Singapore**  
Tel: 65-6334-8870  
Fax: 65-6334-8850

**Taiwan - Hsin Chu**  
Tel: 886-3-5778-366  
Fax: 886-3-5770-955

**Taiwan - Kaohsiung**  
Tel: 886-7-213-7830

**Taiwan - Taipei**  
Tel: 886-2-2508-8600  
Fax: 886-2-2508-0102

**Thailand - Bangkok**  
Tel: 66-2-694-1351  
Fax: 66-2-694-1350

### EUROPE

**Austria - Wels**  
Tel: 43-7242-2244-39  
Fax: 43-7242-2244-393

**Denmark - Copenhagen**  
Tel: 45-4450-2828  
Fax: 45-4485-2829

**France - Paris**  
Tel: 33-1-69-53-63-20  
Fax: 33-1-69-30-90-79

**Germany - Dusseldorf**  
Tel: 49-2129-3766400

**Germany - Munich**  
Tel: 49-89-627-144-0  
Fax: 49-89-627-144-44

**Germany - Pforzheim**  
Tel: 49-7231-424750

**Italy - Milan**  
Tel: 39-0331-742611  
Fax: 39-0331-466781

**Italy - Venice**  
Tel: 39-049-7625286

**Netherlands - Drunen**  
Tel: 31-416-690399  
Fax: 31-416-690340

**Poland - Warsaw**  
Tel: 48-22-3325737

**Spain - Madrid**  
Tel: 34-91-708-08-90  
Fax: 34-91-708-08-91

**Sweden - Stockholm**  
Tel: 46-8-5090-4654

**UK - Wokingham**  
Tel: 44-118-921-5800  
Fax: 44-118-921-5820

10/28/13