



har-port USB coupler

Advantages

- Compact and well-shaped service interface in a timeless attractive design
- Easy mounting
- Compact and robust design
- Practical accessories

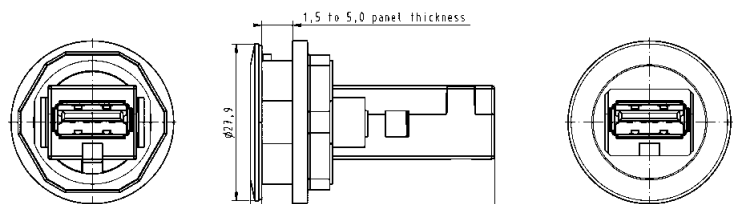
Technical characteristics

Number of ports	2x USB Typ A
Mounting	Screwable in cover plates
Degree of protection	IP 20
Mating cycles	min. 1500
Temperature range	-25 °C ... +70 °C
Housing material	Polyamide

Identification	Part No.	Drawing	Dimensions in mm
----------------	----------	---------	------------------

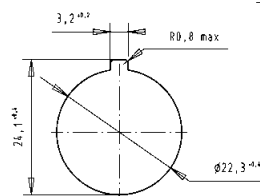
har-port USB 2.0 A-A coupler

09 45 452 1901



har-port USB 3.0 A-A coupler

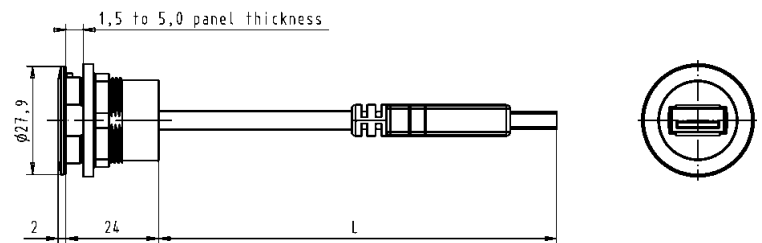
09 45 452 1902



har-port USB 2.0 A-A coupler with cable

- Length: 0.5 m
1.0 m
1.5 m
2.0 m
3.0 m
5.0 m

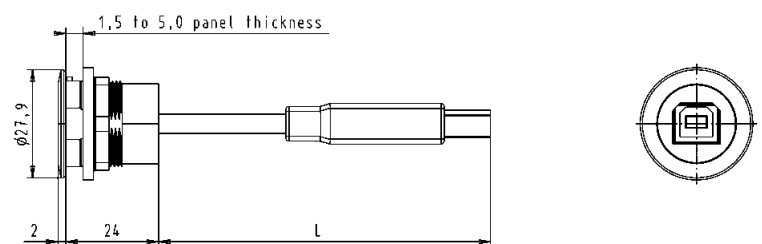
- 09 45 452 1920
09 45 452 1921
09 45 452 1922
09 45 452 1923
09 45 452 1924
09 45 452 1925



har-port USB 2.0 B-B coupler with cable

- Length: 0.5 m
1.5 m
2.0 m
3.0 m

- 09 45 452 1910
09 45 452 1912
09 45 452 1913
09 45 452 1914





har-port RJ45 coupler

Advantages

- Compact and well-shaped service interface in a timeless attractive design
- Easy mounting
- Transmission category 6, performance class E_A, suitable for 1/10 Gigabit Ethernet
- Compact and robust design
- Practical accessories

Technical characteristics

Number of ports	2x RJ45
Transmission performance	Category 6 / class E _A acc. to ISO/IEC 11 801:2002, EN 50 173-1
Transmission rate	10/100 Mbit/s and 1/10 Gbit/s
Shielding	Fully shielded, 360° shielding contact
Mounting	Screwable in cover plates
Degree of protection	IP 20
Mating cycles	min. 750
Temperature range	-25 °C ... +70 °C
Housing material	Polyamide

Identification

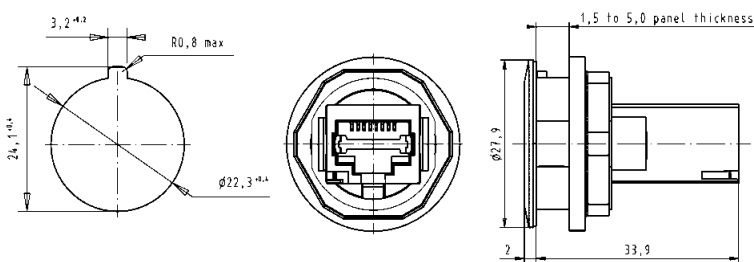
Part No.

Drawing

Dimensions in mm

har-port RJ45 Cat. 6 coupler

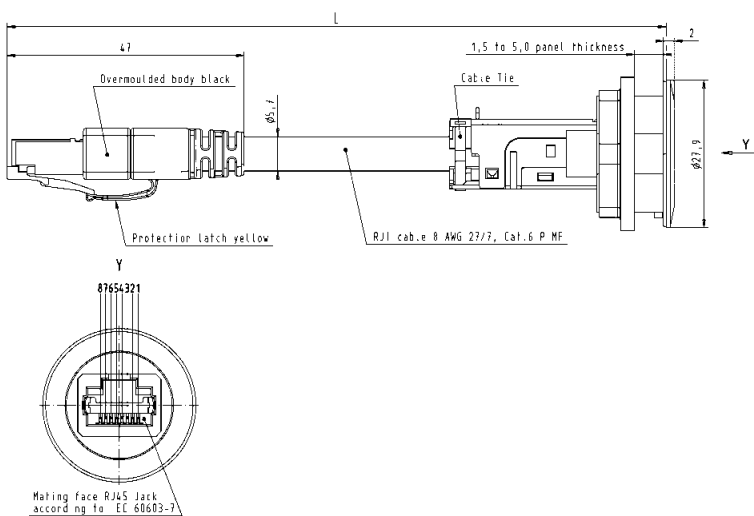
09 45 452 1560



har-port RJ45 Cat. 6 coupler with cable

- Length:
- 0.2 m
 - 0.5 m
 - 1.0 m
 - 1.5 m
 - 2.0 m
 - 3.0 m
 - 5.0 m

- 09 45 452 1501
- 09 45 452 1504
- 09 45 452 1509
- 09 45 452 1510
- 09 45 452 1511
- 09 45 452 1513
- 09 45 452 1516



har-port HIFF coupler housing (for all HIFF compatible modules)

09 45 452 0000



har-port accessories

Advantages

- Compact and well-shaped service interface in a timeless attractive design
- Easy mounting
- Compact and robust design
- Practical accessories

Technical characteristics

Temperature range -25 °C ... +70 °C
 Housing material Polyamide

Identification	Part No.	Drawing	Dimensions in mm
----------------	----------	---------	------------------

Accessories

<p>har-port protection cover IP 65 / IP 67 black</p>	<p>09 45 502 0000</p>		
<p>har-port sealing cover</p>	<p>09 45 502 0001</p>		
<p>har-port label holder</p>	<p>09 45 502 0002</p>		
<p>har-port label for label holder 09 45 502 0002</p>	<p>09 45 502 0003</p>		
<p>har-port blind cover IP 65 / 67</p>	<p>09 45 502 0004</p>		

