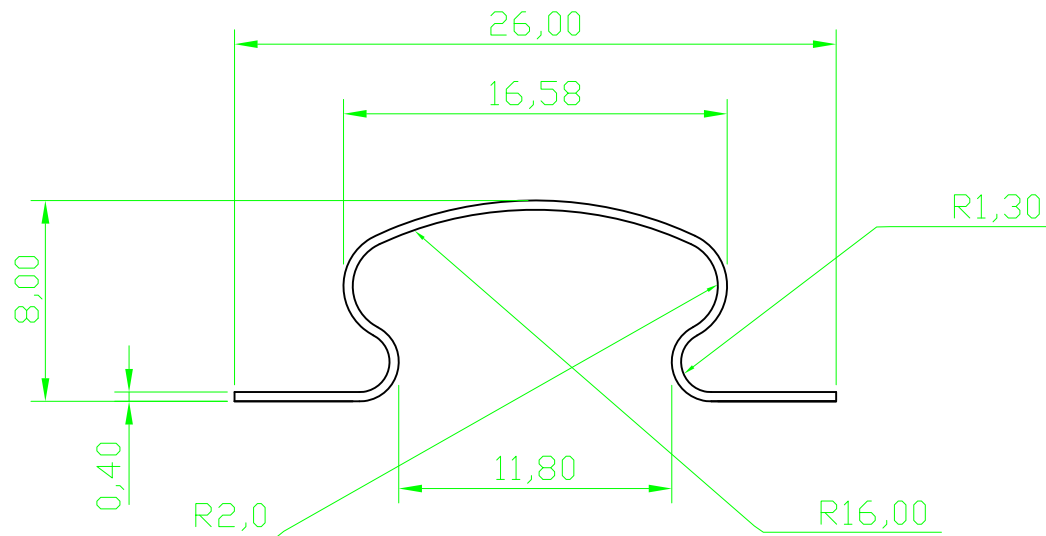



RoHS compliant



Material :STRAINNESS STEEL

Scale	1:1					Date	Name	Customer-No.	
TOLERANCE					Drawn	11.08.2009	Dean	ASSMANN WSW-No. V25HK	
UNIT	±0.4				Approved	10.03.2010	Andy		
DIM	TOL	②	Modify drawing layout	10.03.2010	Alex			Drawing-No.	
Angle	±X	①	Drawn	11.08.2009	Dean			ASS 0891 HS	rev02
		Id.	Modification	Date	Name			Replace	Sheet



Customer-No.	
ASSMANN WSW-No.	V25HK
Drawing-No.	ASS 0891 HS
Replace	rev02
Sheet	