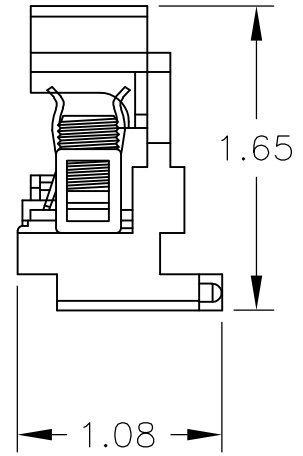
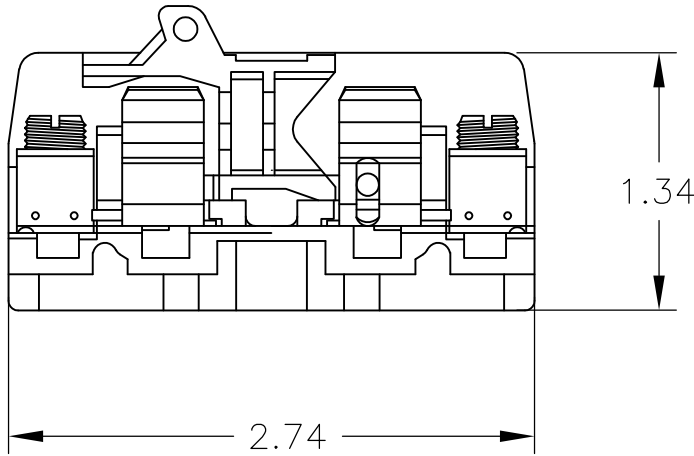
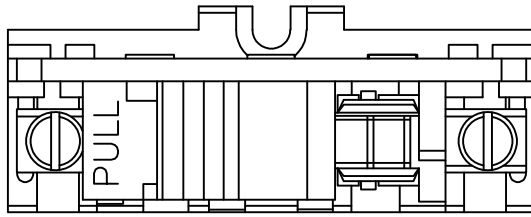


LOC	DIST	REVISIONS					
—	—	P	LTR	DESCRIPTION	DATE	DWN	APVD
		B		REVISED PER ECO-12-006553	10APR12	KH	MS



0352	PHENOLIC, DOVETAIL	1-1437397-0
352	PHENOLIC, FLAT	3-1437397-0
P0312	POLY DOVETAIL	4-1437397-2
0312	NYLON DOVETAIL	1437397-2
CAT. NO.	DESCRIPTION	PART NO.

RELEASED FOR PUBLICATION

ALL RIGHTS RESERVED.

THIS DRAWING IS UNPUBLISHED.

© COPYRIGHT - By -

DIMENSIONS: INCHES	DWN	30SEP08	MATERIAL	-	FINISH	-
	CHK	30SEP08	TE Connectivity			
TOLERANCES UNLESS OTHERWISE SPECIFIED:	APVD	30SEP08				
0 PLC ± -	PRODUCT SPEC	-	NAME			
1 PLC ± -	APPLICATION SPEC	-	CANTACT SECTION W/ FUSE PULLER & TUBULAR CONTACT			
2 PLC ± .01	WEIGHT	-	SIZE	CAGE CODE	DRAWING NO	RESTRICTED TO
3 PLC ± .005			A4	00779	C-1437397-2	-
4 PLC ± .0005			CUSTOMER DRAWING			SCALE
ANGLES ± 1°						1:1
						SHEET
						1 OF 1
						REV
						B