
3V Single-Channel Analog Front End

Features:

- One 24-bit Resolution Delta-Sigma A/D Converter
- 93.5 dB SINAD, -107 dBc Total Harmonic Distortion (THD) (up to 35th harmonic), 112 dB Spurious-Free Dynamic Range (SFDR)
- Flexible Serial Interface that Includes Both SPI and a Simple 2-Wire Interface Ideal for Polyphase Shunt Energy Meters
- Advanced Security Features:
 - 16-bit Cyclic Redundancy Check (CRC) Checksum on All Communications for Secure Data Transfers
 - 16-bit CRC Checksum and Interrupt Alert for Register-Map Configuration
 - Register-Map Lock with 8-bit Secure Key
- 2.7V – 3.6V V_{DD} , DV_{DD}
- Programmable Data Rate, up to 125 kbps:
 - 4 MHz Maximum Sampling Frequency
 - 16 MHz Maximum Master Clock
- Oversampling Ratio, up to 4096
- Ultra Low-Power Shutdown Mode with < 10 μ A
- Low-Drift 1.2V Internal Voltage Reference: 9 ppm/ $^{\circ}$ C
- Differential Voltage Reference Input Pins
- High-Gain Programmable Gain Amplifier (PGA) (up to 32 V/V)
- Phase Delay Compensation with 1 μ s Time Resolution
- Separate Data Ready Pin for Easy Synchronization
- Individual 24-bit Digital Offset and Gain Error Correction
- High-Speed 20 MHz SPI Interface with Mode 0,0 and 1,1 Compatibility
- Continuous Read/Write Modes for Minimum Communication with Dedicated 16-/32-bit Modes
- Available in 20-lead QFN and SSOP Packages
- Extended Temperature Range: -40 $^{\circ}$ C to +125 $^{\circ}$ C (all specifications are valid down to -45 $^{\circ}$ C)

Description:

The MCP3918 is a 3V single-channel Analog Front End (AFE), containing one delta-sigma, Analog-to-Digital Converter (ADC), one programmable gain amplifier (PGA), phase delay compensation block, low-drift internal voltage reference, digital offset and gain errors calibration registers, and high-speed 20 MHz SPI-compatible serial interface.

The MCP3918 ADC is fully configurable with features such as: 16-/24-bit resolution, Oversampling Ratio (OSR) from 32 to 4096, gain from 1x to 32x, independent Shutdown and Reset, dithering and auto-zeroing. Communication is largely simplified with 8-bit commands, including various continuous read/write modes and 16-/24-/32-bit data formats that can be accessed by the Direct Memory Access (DMA) of an 8-/16-/32-bit MCU, and with the separate Data Ready pin that can be directly connected to an Interrupt Request (IRQ) input of an MCU.

The MCP3918 includes advanced security features to secure the communications and the configuration settings, such as a CRC-16 checksum on both serial data outputs and on the register-map static configuration. It also includes a register-map lock through an 8-bit password to avoid the processing of any unwanted write commands.

For polyphase shunt-based energy meters, the MCP3918 2-Wire serial interface greatly reduces system cost, requiring only a single bidirectional isolator per phase.

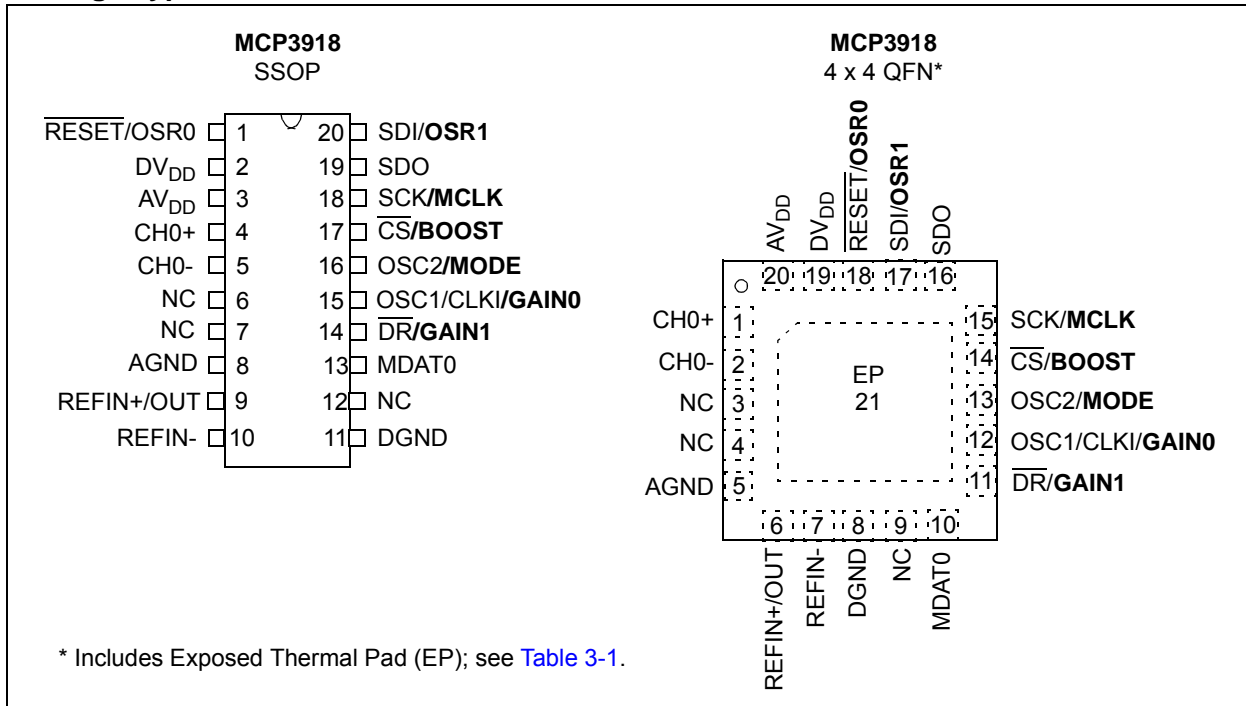
The MCP3918 is capable of interfacing a variety of voltage and current sensors, including shunts, current transformers, Rogowski coils and Hall effect sensors.

Applications:

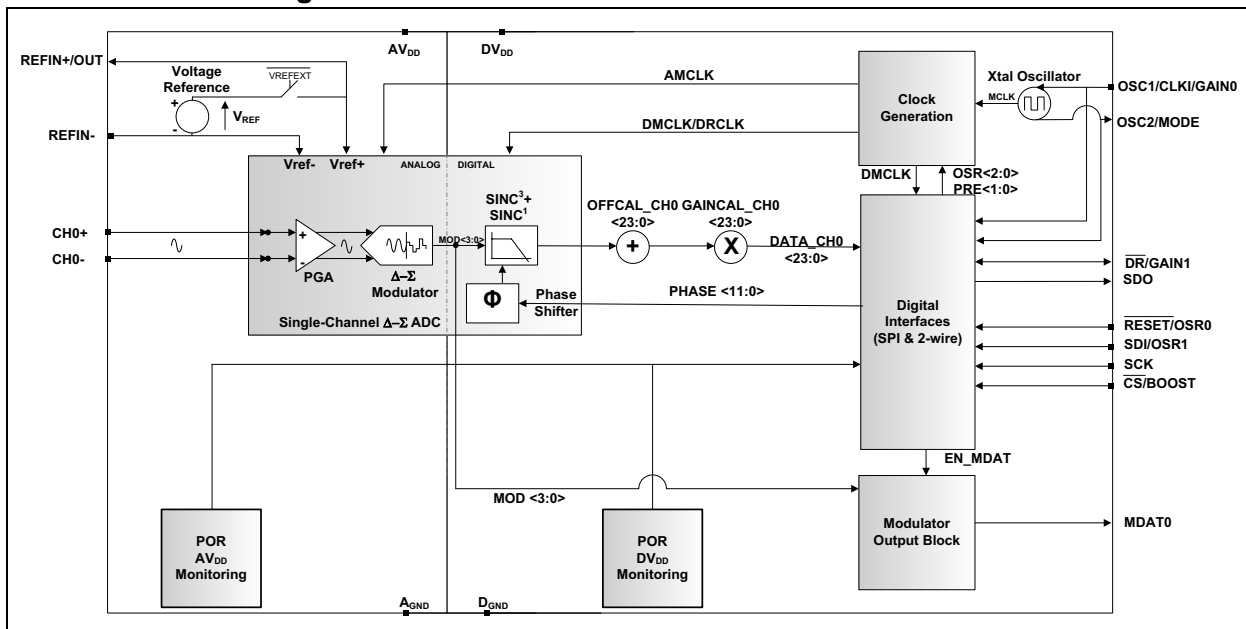
- Single-Phase and Polyphase Energy Meters
- Energy Metering and Power Measurement
- Automotive
- Portable Instrumentation
- Medical and Power Monitoring
- Audio/Voice Recognition
- Isolator Sensor Application

MCP3918

Package Type



Functional Block Diagram



1.0 ELECTRICAL CHARACTERISTICS

Absolute Maximum Ratings †

V_{DD}	-0.3V to 4.0V
Digital inputs and outputs w.r.t. A_{GND}	-0.3V to 4.0V
Analog input w.r.t. A_{GND}	-2V to +2V
V_{REF} input w.r.t. A_{GND}	-0.6V to $V_{DD} + 0.6V$
Storage temperature	-65°C to +150°C
Ambient temp. with power applied	-65°C to +125°C
Soldering temperature of leads (10 seconds)	+300°C
ESD on the analog inputs (HBM, MM)	4.0 kV, 200V
ESD on all other pins (HBM, MM)	4.0 kV, 200V

† **Notice:** Stresses above those listed under “Absolute Maximum Ratings” may cause permanent damage to the device. This is a stress rating only and functional operation of the device at those or any other conditions, above those indicated in the operational listings of this specification, is not implied. Exposure to maximum rating conditions for extended periods may affect device reliability.

1.1 Electrical Specifications

TABLE 1-1: ANALOG SPECIFICATIONS

Electrical Specifications: Unless otherwise indicated, all parameters apply at $AV_{DD} = DV_{DD} = 3V$, $MCLK = 4 MHz$; $PRE<1:0> = 00$; $OSR = 256$; $GAIN = 1$; $VREFEXT = 0$, $CLKEXT = 1$, $DITHER<1:0> = 11$; $BOOST<1:0> = 10$, $V_{CM} = 0V$; $T_A = -40^{\circ}C$ to $+125^{\circ}C$ (Note 1); $V_{IN} = 1.2 V_{PP} = -0.5 dBFS @ 50/60 Hz$ on all channels.						
Characteristic	Sym.	Min.	Typ.	Max.	Units	Conditions
ADC Performance						
Resolution (No Missing Codes)		24	—	—	bits	$OSR = 256$ or greater
Sampling Frequency	$f_S(DMCLK)$	—	1	4	MHz	For maximum condition, $BOOST<1:0> = 11$
Output Data Rate	$f_D(DRCLK)$	—	4	125	ksps	For maximum condition, $BOOST<1:0> = 11$, $OSR = 32$
Analog Input Absolute Voltage on $CH0+/-$ pins	$CH0+/-$	-1	—	+1	V	All analog input channels, measured to A_{GND}
Analog Input Leakage Current	I_{IN}	—	+/-1	—	nA	$RESET<0> = 1$, $MCLK$ running continuously
Differential Input Voltage Range	$(CH_{0+} - CH_{0-})$	-600/GAIN	—	+600/GAIN	mV	$V_{REF} = 1.2V$, proportional to V_{REF}
Offset Error	V_{OS}	-1	0.2	1	mV	Note 5
Offset Error Drift		—	0.5	—	$\mu V/^{\circ}C$	
Gain Error	GE	-4	—	+4	%	Note 5
Gain Error Drift		—	1	—	ppm/ $^{\circ}C$	
Integral Non-Linearity	INL	—	5	—	ppm	

Note 1: All specifications are valid down to $-45^{\circ}C$.

- This specification implies that the ADC output is valid over this entire differential range and that there is no distortion or instability across this input range. Dynamic Performance specified at $-0.5 dB$ below the maximum signal range, $V_{IN} = 1.2 V_{PP} = 424 mV_{RMS}$, $V_{REF} = 1.2V @ 50/60 Hz$. See **Section 4.0 “Terminology and Formulas”** for definition. This parameter is established by characterization and not 100% tested.
- For these operating currents, the following configuration bit settings apply: $SHUTDOWN<0> = 0$, $RESET<0> = 0$, $VREFEXT = 0$, $CLKEXT = 0$.
- For these operating currents, the following configuration bit settings apply: $SHUTDOWN<0> = 1$, $VREFEXT = 1$, $CLKEXT = 1$.
- Applies to all gains. Offset and gain errors depend on the PGA gain setting. See **Section 2.0 “Typical Performance Curves”** for typical performance.
- Outside this range, the ADC accuracy is not specified. An extended input range of $+/-2V$ can be applied continuously to the part, with no damage.
- For proper operation and for optimizing the ADC accuracy, $AMCLK$ should be limited to the maximum frequency defined in **Table 5-2**, as a function of the $BOOST$ and PGA setting chosen. $MCLK$ can take larger values as long as the prescaler settings ($PRE<1:0>$) limit $AMCLK = MCLK/PRESCALE$ within the defined range in **Table 5-2**.

MCP3918

TABLE 1-1: ANALOG SPECIFICATIONS (CONTINUED)

Electrical Specifications: Unless otherwise indicated, all parameters apply at $V_{DD} = DV_{DD} = 3V$, $MCLK = 4\text{ MHz}$; $PRE<1:0> = 00$; $OSR = 256$; $GAIN = 1$; $VREFEXT = 0$, $CLKEXT = 1$, $DITHER<1:0> = 11$; $BOOST<1:0> = 10$, $V_{CM} = 0V$; $T_A = -40^{\circ}C$ to $+125^{\circ}C$ (Note 1); $V_{IN} = 1.2\text{ V}_{PP} = -0.5\text{ dBFS @ } 50/60\text{ Hz}$ on all channels.						
Characteristic	Sym.	Min.	Typ.	Max.	Units	Conditions
Measurement Error	ME	—	0.1	—	%	Measured with a 10,000:1 dynamic range (from 600 mV _{Peak} to 6 μ V _{Peak}), $V_{DD} = DV_{DD} = 3V$, measurement points averaging time: 20 seconds.
Differential Input Impedance	Z_{IN}	232	—	—	k Ω	G = 1, proportional to 1/AMCLK
		142	—	—	k Ω	G = 2, proportional to 1/AMCLK
		72	—	—	k Ω	G = 4, proportional to 1/AMCLK
		38	—	—	k Ω	G = 8, proportional to 1/AMCLK
		36	—	—	k Ω	G = 16, proportional to 1/AMCLK
		33	—	—	k Ω	G = 32, proportional to 1/AMCLK
Signal-to-Noise and Distortion Ratio (Note 2)	SINAD	92	93.5	—	dB	
Total Harmonic Distortion (Note 2)	THD	—	-107	-103	dBc	Includes the first 35 harmonics
Signal-to-Noise Ratio (Note 2)	SNR	92	94	—	dB	
Spurious-Free Dynamic Range (Note 2)	SFDR	—	112	—	dBFS	
AC Power Supply Rejection	AC PSRR	—	-73	—	dB	$V_{DD} = DV_{DD} = 3V + 0.6V_{PP}$ 50/60 Hz, 100/120 Hz
DC Power Supply Rejection	DC PSRR	—	-73	—	dB	$V_{DD} = DV_{DD} = 2.7V$ to $3.6V$
DC Common Mode Rejection	DC CMRR	—	-105	—	dB	V_{CM} from -1V to +1V

Note 1: All specifications are valid down to $-45^{\circ}C$.

- 2: This specification implies that the ADC output is valid over this entire differential range and that there is no distortion or instability across this input range. Dynamic Performance specified at -0.5 dB below the maximum signal range, $V_{IN} = 1.2\text{ V}_{PP} = 424\text{ mV}_{RMS}$, $V_{REF} = 1.2V @ 50/60\text{ Hz}$. See **Section 4.0 "Terminology and Formulas"** for definition. This parameter is established by characterization and not 100% tested.
- 3: For these operating currents, the following configuration bit settings apply: $SHUTDOWN<0> = 0$, $RESET<0> = 0$, $VREFEXT = 0$, $CLKEXT = 0$.
- 4: For these operating currents, the following configuration bit settings apply: $SHUTDOWN<0> = 1$, $VREFEXT = 1$, $CLKEXT = 1$.
- 5: Applies to all gains. Offset and gain errors depend on the PGA gain setting. See **Section 2.0 "Typical Performance Curves"** for typical performance.
- 6: Outside this range, the ADC accuracy is not specified. An extended input range of $\pm 2V$ can be applied continuously to the part, with no damage.
- 7: For proper operation and for optimizing the ADC accuracy, AMCLK should be limited to the maximum frequency defined in **Table 5-2**, as a function of the BOOST and PGA setting chosen. MCLK can take larger values as long as the prescaler settings ($PRE<1:0>$) limit $AMCLK = MCLK/PRESCALE$ within the defined range in **Table 5-2**.

TABLE 1-1: ANALOG SPECIFICATIONS (CONTINUED)

Electrical Specifications: Unless otherwise indicated, all parameters apply at $V_{DD} = DV_{DD} = 3V$, $MCLK = 4\text{ MHz}$; $PRE<1:0> = 00$; $OSR = 256$; $GAIN = 1$; $VREFEXT = 0$, $CLKEXT = 1$, $DITHER<1:0> = 11$; $BOOST<1:0> = 10$, $V_{CM} = 0V$; $T_A = -40^\circ\text{C}$ to $+125^\circ\text{C}$ (Note 1); $V_{IN} = 1.2\text{ V}_{PP} = -0.5\text{ dBFS}$ @ 50/60 Hz on all channels.						
Characteristic	Sym.	Min.	Typ.	Max.	Units	Conditions
Internal Voltage Reference						
Tolerance	V_{REF}	1.176	1.2	1.224	V	$VREFEXT = 0$, $T_A = +25^\circ\text{C}$ only
Temperature Coefficient	TCV_{REF}	—	9	—	ppm/ $^\circ\text{C}$	$T_A = -40^\circ\text{C}$ to $+125^\circ\text{C}$, $VREFEXT = 0$
Output Impedance	$ZOUTV_{REF}$	—	0.6	—	$k\Omega$	$VREFEXT = 0$
Internal Voltage Reference Operating Current	$AI_{DD}V_{REF}$	—	54	—	μA	$VREFEXT = 0$, $SHUTDOWN<0> = 1$
Voltage Reference Input						
Input Capacitance		—	—	10	pF	
Differential Input Voltage Range ($V_{REF+} - V_{REF-}$)	V_{REF}	1.1	—	1.3	V	$VREFEXT = 1$
Absolute Voltage on $REFIN+$ pin	V_{REF+}	$V_{REF-} + 1.1$	—	$V_{REF-} + 1.3$	V	$VREFEXT = 1$
Absolute Voltage on $REFIN-$ pin	V_{REF-}	-0.1	—	+0.1	V	$REFIN-$ should be connected to A_{GND} when $VREFEXT = 0$
Master Clock Input						
Master Clock Input Frequency Range	f_{MCLK}		—	20	MHz	$CLKEXT = 1$ (Note 7)
Crystal Oscillator Operating Frequency Range	f_{XTAL}	1	—	20	MHz	$CLKEXT = 0$ (Note 7)
Analog Master Clock	AMCLK	—	—	16	MHz	Note 7
Crystal Oscillator Operating Current	DIDDXTAL	—	80	—	μA	$CLKEXT = 0$
Power Supply						
Operating Voltage, Analog	AV_{DD}	2.7	—	3.6	V	
Operating Voltage, Digital	DV_{DD}	2.7	—	3.6	V	
Operating Current, Analog (Note 3)	$I_{DD,A}$	—	0.8	1	mA	$BOOST<1:0> = 00$
		—	1	1.2	mA	$BOOST<1:0> = 01$
		—	1.3	1.7	mA	$BOOST<1:0> = 10$
		—	2.2	2.9	mA	$BOOST<1:0> = 11$

Note 1: All specifications are valid down to -45°C .

- This specification implies that the ADC output is valid over this entire differential range and that there is no distortion or instability across this input range. Dynamic Performance specified at -0.5 dB below the maximum signal range, $V_{IN} = 1.2\text{ V}_{PP} = 424\text{ mV}_{RMS}$, $V_{REF} = 1.2V$ @ 50/60 Hz. See [Section 4.0 “Terminology and Formulas”](#) for definition. This parameter is established by characterization and not 100% tested.
- For these operating currents, the following configuration bit settings apply: $SHUTDOWN<0> = 0$, $RESET<0> = 0$, $VREFEXT = 0$, $CLKEXT = 0$.
- For these operating currents, the following configuration bit settings apply: $SHUTDOWN<0> = 1$, $VREFEXT = 1$, $CLKEXT = 1$.
- Applies to all gains. Offset and gain errors depend on the PGA gain setting. See [Section 2.0 “Typical Performance Curves”](#) for typical performance.
- Outside this range, the ADC accuracy is not specified. An extended input range of $\pm 2V$ can be applied continuously to the part, with no damage.
- For proper operation and for optimizing the ADC accuracy, AMCLK should be limited to the maximum frequency defined in [Table 5-2](#), as a function of the BOOST and PGA setting chosen. MCLK can take larger values as long as the prescaler settings ($PRE<1:0>$) limit $AMCLK = MCLK/PRESCALE$ within the defined range in [Table 5-2](#).

MCP3918

TABLE 1-1: ANALOG SPECIFICATIONS (CONTINUED)

Electrical Specifications: Unless otherwise indicated, all parameters apply at $AV_{DD} = DV_{DD} = 3V$, $MCLK = 4\text{ MHz}$; $PRE<1:0> = 00$; $OSR = 256$; $GAIN = 1$; $VREFEXT = 0$, $CLKEXT = 1$, $DITHER<1:0> = 11$; $BOOST<1:0> = 10$, $V_{CM} = 0V$; $T_A = -40^{\circ}C$ to $+125^{\circ}C$ (**Note 1**); $V_{IN} = 1.2\text{ V}_{PP} = -0.5\text{ dBFS @ } 50/60\text{ Hz}$ on all channels.

Characteristic	Sym.	Min.	Typ.	Max.	Units	Conditions
Operating Current, Digital	$I_{DD,D}$	—	0.2	0.3	mA	$MCLK = 4\text{ MHz}$, proportional to $MCLK$
		—	0.7	—	mA	$MCLK = 16\text{ MHz}$, proportional to $MCLK$
Shutdown Current, Analog	$I_{DDS,A}$	—	—	1	μA	AV_{DD} pin only (Note 4)
Shutdown Current, Digital	$I_{DDS,D}$	—	—	2	μA	DV_{DD} pin only (Note 4)
Pull-Down Current on OSC2 Pin (External Clock Mode)	I_{OSC2}	—	35	—	μA	$CLKEXT = 1$

Note 1: All specifications are valid down to $-45^{\circ}C$.

- This specification implies that the ADC output is valid over this entire differential range and that there is no distortion or instability across this input range. Dynamic Performance specified at -0.5 dB below the maximum signal range, $V_{IN} = 1.2\text{ V}_{PP} = 424\text{ mV}_{RMS}$; $V_{REF} = 1.2V @ 50/60\text{ Hz}$. See **Section 4.0 "Terminology and Formulas"** for definition. This parameter is established by characterization and not 100% tested.
- For these operating currents, the following configuration bit settings apply: $SHUTDOWN<0> = 0$, $RESET<0> = 0$, $VREFEXT = 0$, $CLKEXT = 0$.
- For these operating currents, the following configuration bit settings apply: $SHUTDOWN<0> = 1$, $VREFEXT = 1$, $CLKEXT = 1$.
- Applies to all gains. Offset and gain errors depend on the PGA gain setting. See **Section 2.0 "Typical Performance Curves"** for typical performance.
- Outside this range, the ADC accuracy is not specified. An extended input range of $\pm 2V$ can be applied continuously to the part, with no damage.
- For proper operation and for optimizing the ADC accuracy, $AMCLK$ should be limited to the maximum frequency defined in **Table 5-2**, as a function of the $BOOST$ and PGA setting chosen. $MCLK$ can take larger values as long as the prescaler settings ($PRE<1:0>$) limit $AMCLK = MCLK/PRESCALE$ within the defined range in **Table 5-2**.

1.2 Serial Interface Characteristics

TABLE 1-2: SERIAL DC CHARACTERISTICS

Electrical Specifications: Unless otherwise indicated, all parameters apply at $DV_{DD} = 2.7$ to 3.6 V , $T_A = -40^{\circ}C$ to $+125^{\circ}C$ (**Note 1**), $C_{LOAD} = 30\text{ pF}$, applies to all digital I/O.

Characteristic	Sym.	Min.	Typ.	Max.	Units	Conditions
High-Level Input Voltage	V_{IH}	0.7 DV_{DD}	—	—	V	Schmitt-Triggered
Low-Level Input Voltage	V_{IL}	—	—	0.3 DV_{DD}	V	Schmitt-Triggered
Input Leakage Current	I_{LI}	—	—	± 1	μA	$\overline{CS} = DV_{DD}$, $V_{IN} = D_{GND}$ to DV_{DD}
Output Leakage Current	I_{LO}	—	—	± 1	μA	$\overline{CS} = DV_{DD}$, $V_{OUT} = D_{GND}$ or DV_{DD}
Hysteresis of Schmitt-Triggered Inputs	V_{HYS}	—	300	—	mV	$DV_{DD} = 3.3V$ only (Note 3)
Low-Level Output Voltage	V_{OL}	—	—	$0.4V$	V	$I_{OL} = +1.7\text{ mA}$, $DV_{DD} = 3.3V$
High-Level Output Voltage	V_{OH}	$DV_{DD} - 0.5$	—	—	V	$I_{OH} = -1.7\text{ mA}$, $DV_{DD} = 3.3V$
Internal Capacitance (All Inputs and Outputs)	C_{INT}	—	—	7	pF	$T_A = +25^{\circ}C$, $SCK = 1.0\text{ MHz}$, $DV_{DD} = 3.3V$ (Note 2)

Note 1: All specifications are valid down to $-45^{\circ}C$.

- This parameter is periodically sampled and not 100% tested.
- This parameter is established by characterization and not production tested.

TABLE 1-3: SERIAL AC CHARACTERISTICS

Electrical Specifications: Unless otherwise indicated, all parameters apply at $DV_{DD} = 2.7$ to 3.6 V, $T_A = -40^\circ\text{C}$ to $+125^\circ\text{C}$ (Note 1), GAIN = 1, $C_{LOAD} = 30$ pF.						
Characteristic	Sym	Min	Typ	Max	Units	Conditions
Serial Clock Frequency	f_{SCK}	—	—	20	MHz	
\overline{CS} Setup Time	t_{CSS}	25	—	—	ns	
\overline{CS} Hold Time	t_{CSH}	50	—	—	ns	
\overline{CS} Disable Time	t_{CSD}	50	—	—	ns	
Data Setup Time	t_{SU}	5	—	—	ns	
Data Hold Time	t_{HD}	10	—	—	ns	
Serial Clock High Time	t_{HI}	20	—	—	ns	
Serial Clock Low Time	t_{LO}	20	—	—	ns	
Serial Clock Delay Time	t_{CLD}	50	—	—	ns	
Serial Clock Enable Time	t_{CLE}	50	—	—	ns	
Output Valid from SCK Low	t_{DO}	—	—	25	ns	
Output Hold Time	t_{HO}	0	—	—	ns	
Output Disable Time	t_{DIS}	—	—	25	ns	
Reset Pulse Width (\overline{RESET})	t_{MCLR}	100	—	—	ns	
Data Transfer Time to \overline{DR} (Data Ready)	t_{DODR}	—	—	25	ns	Note 2
Modulator Mode Entry to Modulator Data Present	t_{MODSU}	—	—	100	ns	
Data Ready Pulse Low Time	t_{DRP}	—	$1/(2 \times DMCLK)$	—	μs	
2-Wire Mode Enable Time	t_{MODE}	—	—	50	ns	
2-Wire Mode Watchdog Timer	t_{WATCH}	3.5	—	35	μs	

Note 1: All specifications are valid down to -45°C .

2: This parameter is established by characterization and not production tested.

TABLE 1-4: TEMPERATURE SPECIFICATIONS

Electrical Specifications: Unless otherwise indicated, all parameters apply at $AV_{DD} = 2.7$ to 3.6 V, $DV_{DD} = 2.7$ to 3.6 V.						
Parameters	Sym.	Min.	Typ.	Max.	Units	Conditions
Temperature Ranges						
Operating Temperature Range	T_A	-40	—	+125	$^\circ\text{C}$	Note 1, Note 2
Storage Temperature Range	T_A	-65	—	+150	$^\circ\text{C}$	
Thermal Package Resistances						
Thermal Resistance, 20L 4x4 QFN	θ_{JA}	—	46.2	—	$^\circ\text{C/W}$	
Thermal Resistance, 20L SSOP	θ_{JA}	—	87.3	—	$^\circ\text{C/W}$	

Note 1: The internal junction temperature (T_J) must not exceed the absolute maximum specification of $+150^\circ\text{C}$.

2: All specifications are valid down to -45°C .

MCP3918

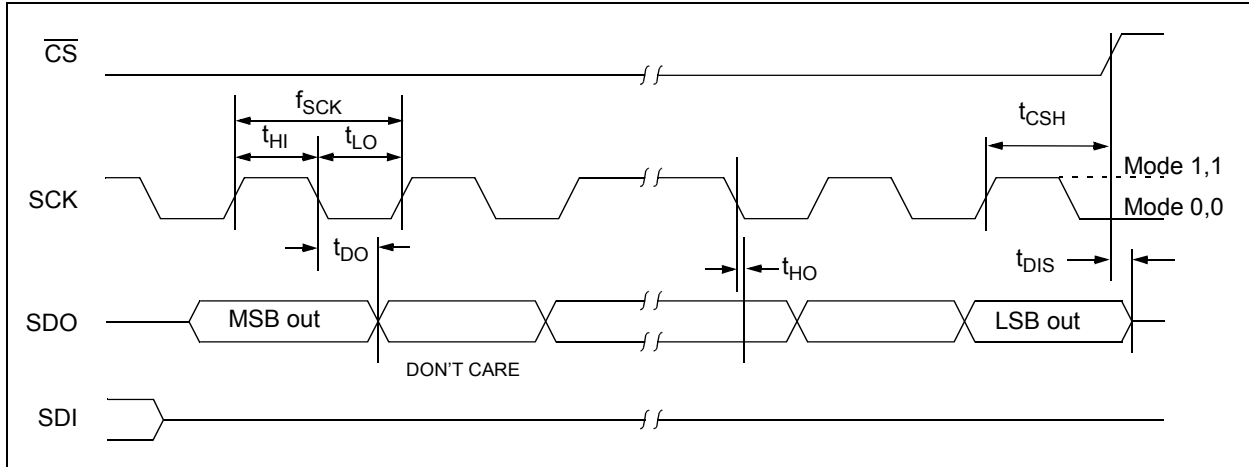


FIGURE 1-1: Serial Output Timing Diagram.

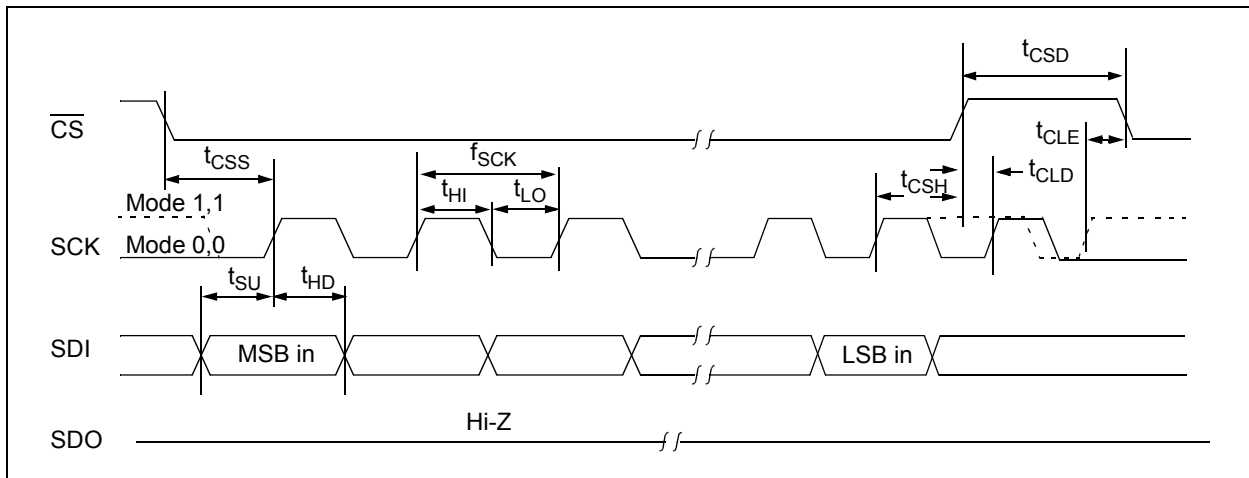


FIGURE 1-2: Serial Input Timing Diagram.

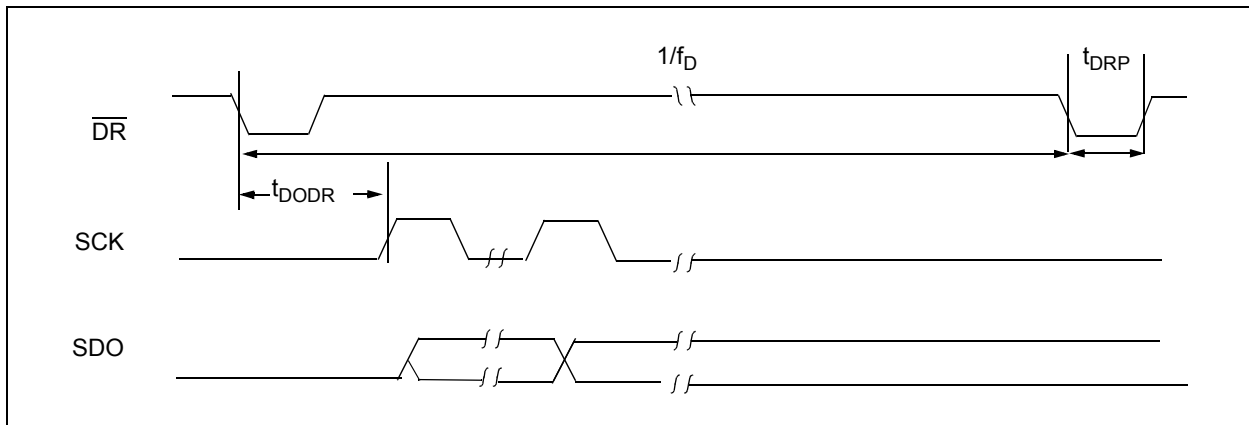


FIGURE 1-3: Data Ready Pulse/Sampling Timing Diagram.

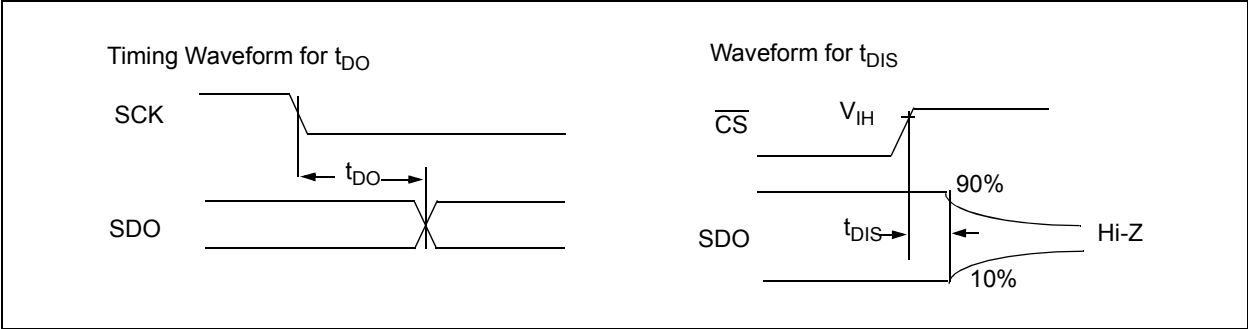


FIGURE 1-4: Timing Diagrams, continued.

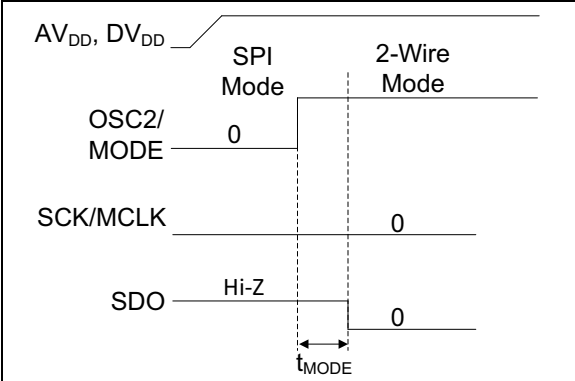


FIGURE 1-5: Entering 2-Wire Interface Mode Timing Diagram.

MCP3918

NOTES:

2.0 TYPICAL PERFORMANCE CURVES

Note: The graphs and tables provided following this note are a statistical summary based on a limited number of samples and are provided for informational purposes only. The performance characteristics listed herein are not tested or guaranteed. In some graphs or tables, the data presented may be outside the specified operating range (e.g., outside specified power supply range) and therefore outside the warranted range.

Note: Unless otherwise indicated, $AV_{DD} = 3V$, $DV_{DD} = 3V$; $T_A = +25^\circ C$, $MCLK = 4\text{ MHz}$; $PRESCALE = 1$; $OSR = 256$; $GAIN = 1$; $Dithering = Maximum$; $V_{IN} = -0.5\text{ dBFS @ }60\text{ Hz}$ on all channels, $VREFEXT = 0$; $CLKEXT = 1$; $BOOST<1:0> = 10$.

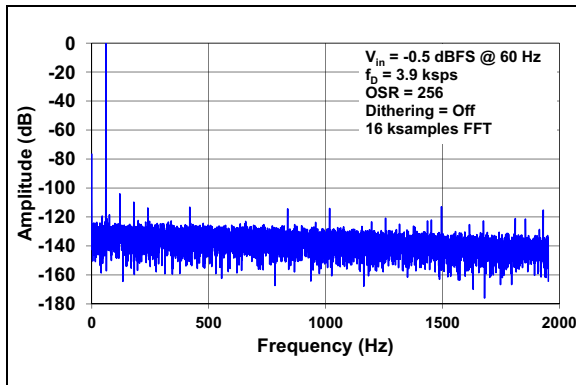


FIGURE 2-1: Spectral Response.

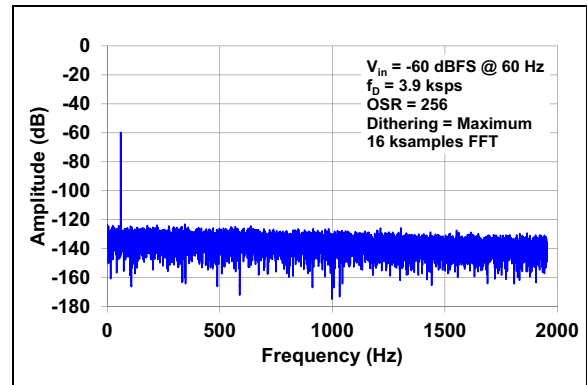


FIGURE 2-4: Spectral Response.

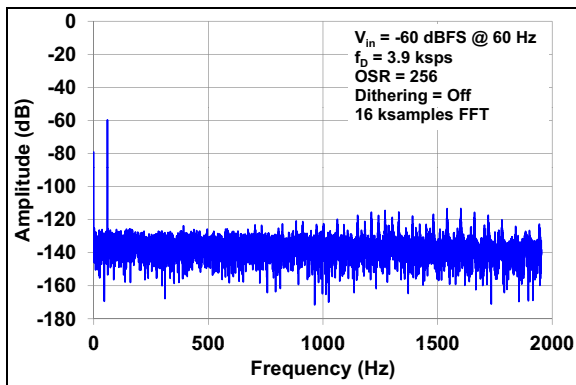


FIGURE 2-2: Spectral Response.

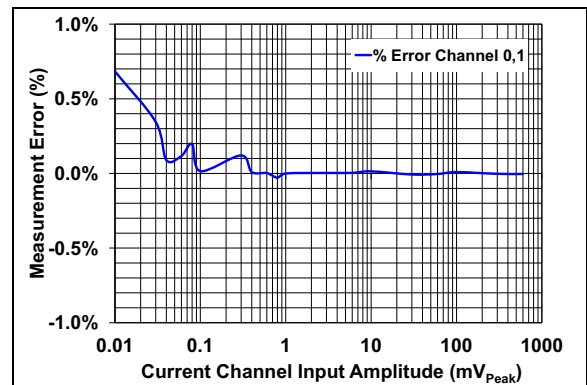


FIGURE 2-5: Measurement Error with 1-Point Calibration.

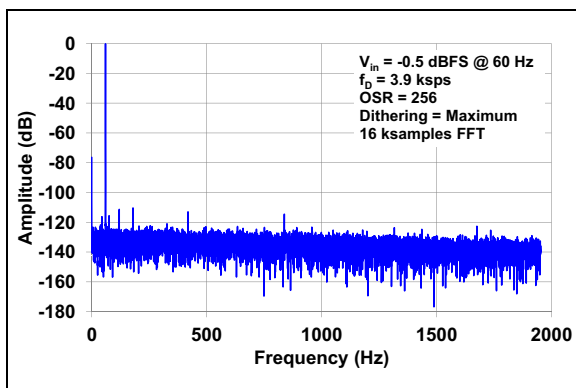


FIGURE 2-3: Spectral Response.

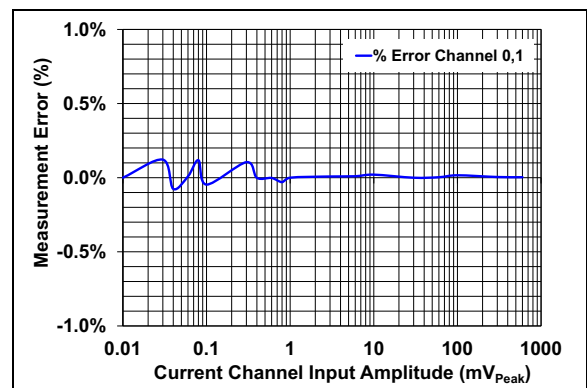


FIGURE 2-6: Measurement Error with 2-Point Calibration.

MCP3918

Note: Unless otherwise indicated, $AV_{DD} = 3V$, $DV_{DD} = 3V$; $T_A = +25^\circ C$, $MCLK = 4\text{ MHz}$; $PRESCALE = 1$; $OSR = 256$; $GAIN = 1$; Dithering = Maximum; $V_{IN} = -0.5\text{ dBFS}$ @ 60 Hz on all channels, $VREFEXT = 0$; $CLKEXT = 1$; $BOOST<1:0> = 10$.

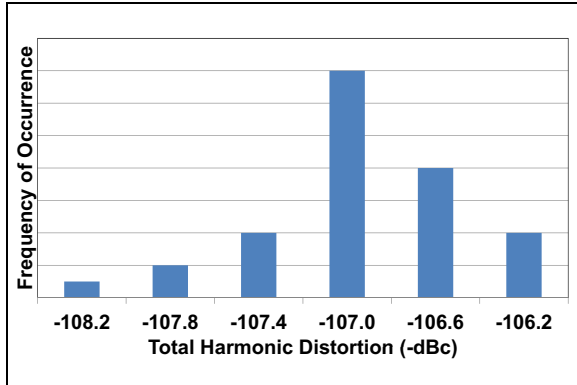


FIGURE 2-7: THD Repeatability Histogram.

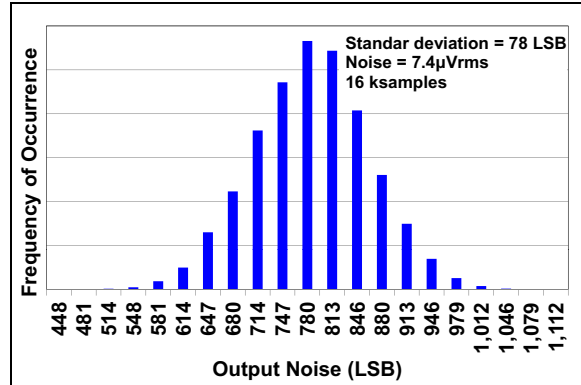


FIGURE 2-10: Output Noise Histogram.

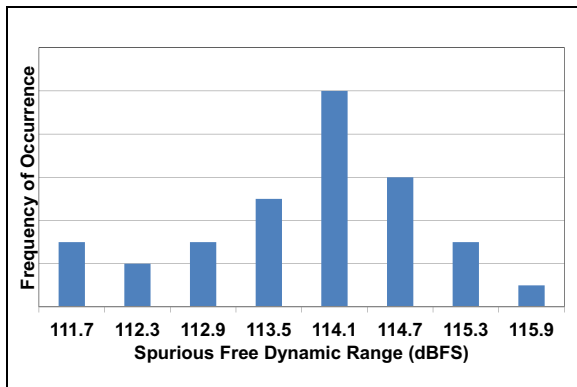


FIGURE 2-8: Spurious-Free Dynamic Range Repeatability Histogram.

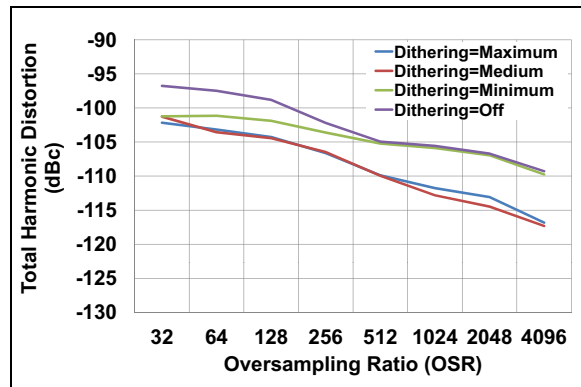


FIGURE 2-11: THD vs. OSR.

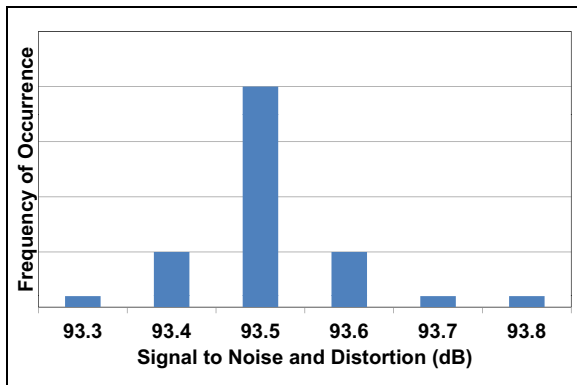


FIGURE 2-9: SINAD Repeatability Histogram.

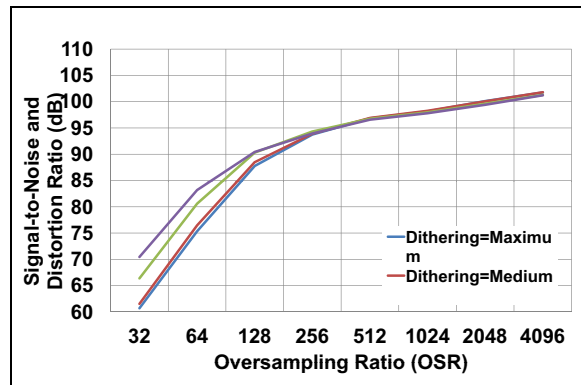


FIGURE 2-12: SINAD vs. OSR.

Note: Unless otherwise indicated, $AV_{DD} = 3V$, $DV_{DD} = 3V$; $T_A = +25^\circ C$, $MCLK = 4\text{ MHz}$; $PRESCALE = 1$; $OSR = 256$; $GAIN = 1$; $Dithering = \text{Maximum}$; $V_{IN} = -0.5\text{ dBFS}$ @ 60 Hz on all channels, $VREFEXT = 0$; $CLKEXT = 1$; $BOOST<1:0> = 10$.

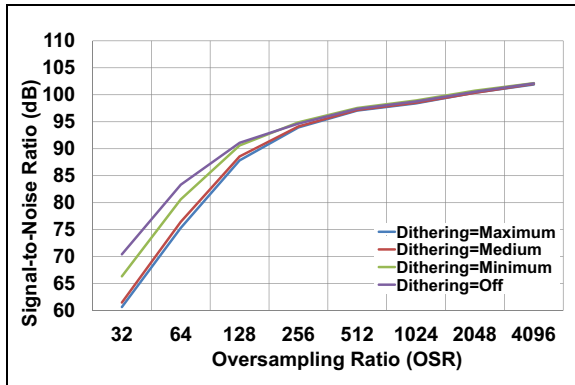


FIGURE 2-13: SNR vs. OSR.

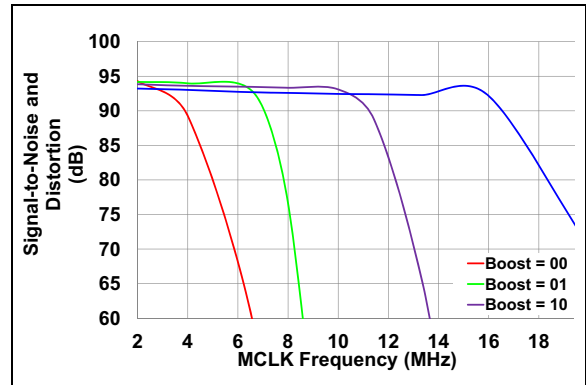


FIGURE 2-16: SINAD vs. MCLK.

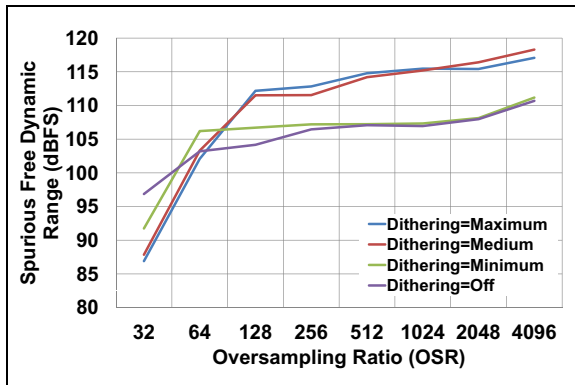


FIGURE 2-14: SFDR vs. OSR.

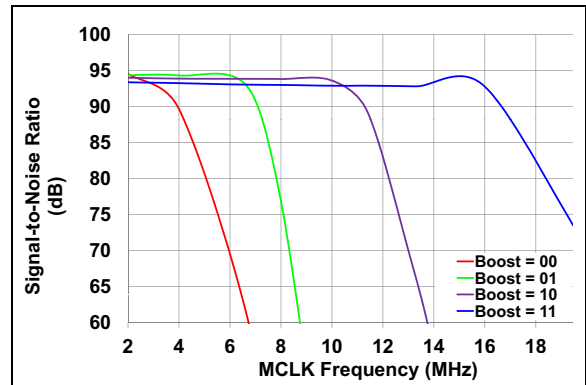


FIGURE 2-17: SNR vs. MCLK.

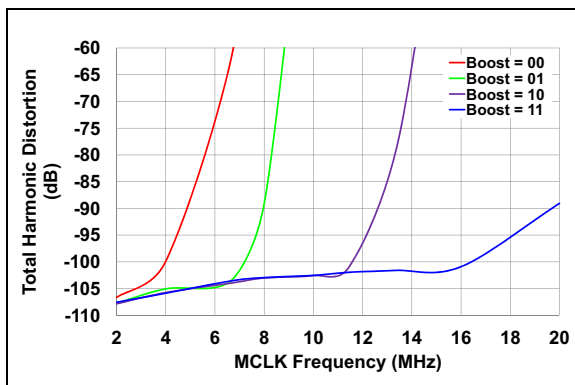


FIGURE 2-15: THD vs. MCLK.

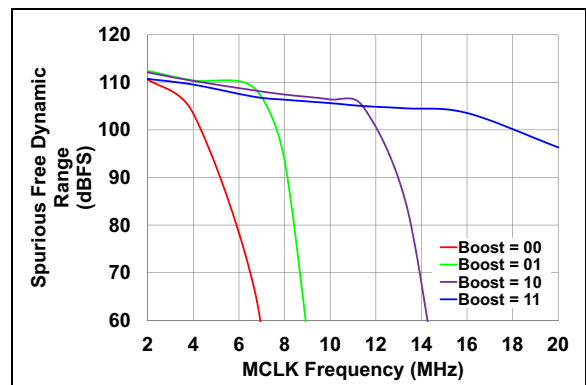


FIGURE 2-18: SFDR vs. MCLK.

MCP3918

Note: Unless otherwise indicated, $AV_{DD} = 3V$, $DV_{DD} = 3V$; $T_A = +25^\circ C$, $MCLK = 4\text{ MHz}$; $PRESCALE = 1$; $OSR = 256$; $GAIN = 1$; Dithering = Maximum; $V_{IN} = -0.5\text{ dBFS}$ @ 60 Hz on all channels, $VREFEXT = 0$; $CLKEXT = 1$; $BOOST<1:0> = 10$.

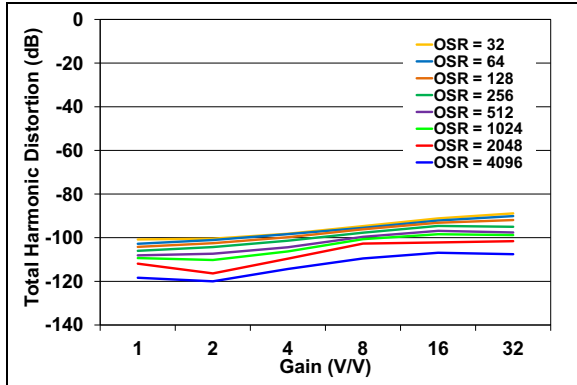


FIGURE 2-19: THD vs. GAIN.

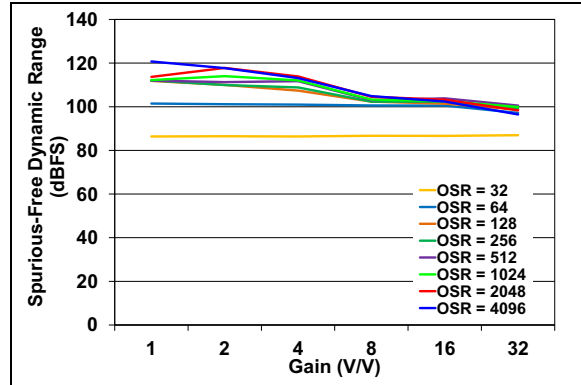


FIGURE 2-22: SFDR vs. GAIN.

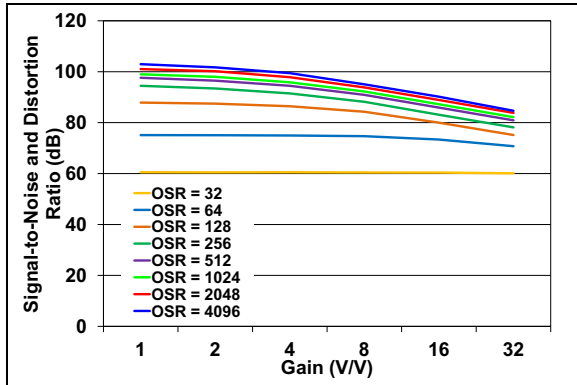


FIGURE 2-20: SINAD vs. GAIN.

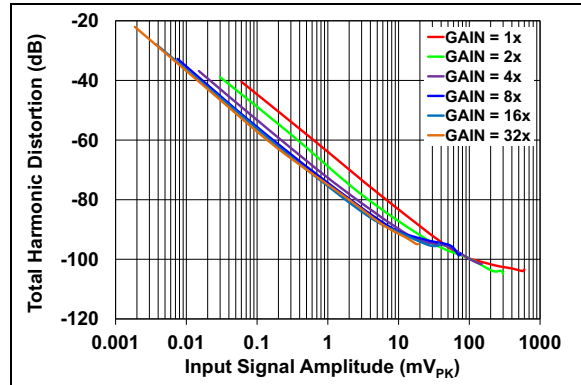


FIGURE 2-23: THD vs. Input Signal Amplitude.

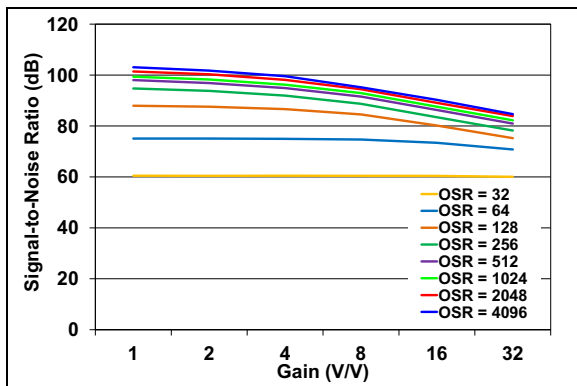


FIGURE 2-21: SNR vs. GAIN.

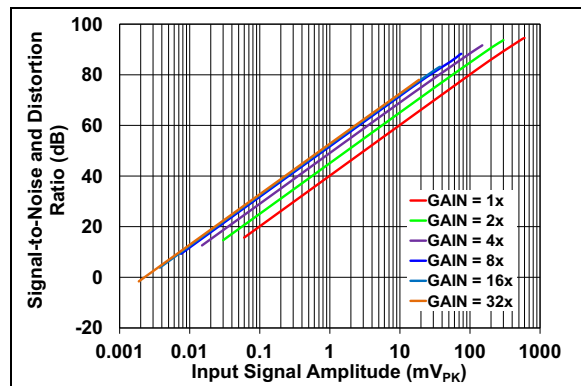


FIGURE 2-24: SINAD vs. Input Signal Amplitude.

Note: Unless otherwise indicated, $AV_{DD} = 3V$, $DV_{DD} = 3V$; $T_A = +25^\circ C$, $MCLK = 4\text{ MHz}$; $PRESCALE = 1$; $OSR = 256$; $GAIN = 1$; Dithering = Maximum; $V_{IN} = -0.5\text{ dBFS}$ @ 60 Hz on all channels, $VREFEXT = 0$; $CLKEXT = 1$; $BOOST<1:0> = 10$.

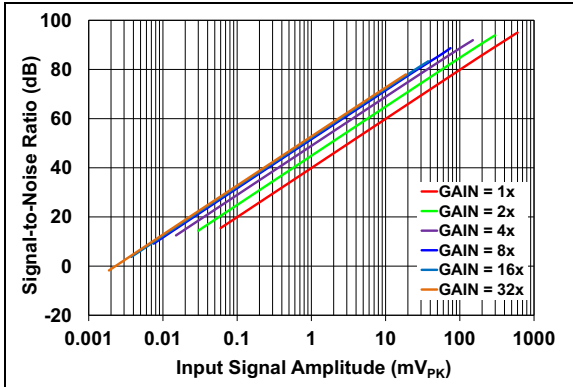


FIGURE 2-25: SNR vs. Input Signal Amplitude.

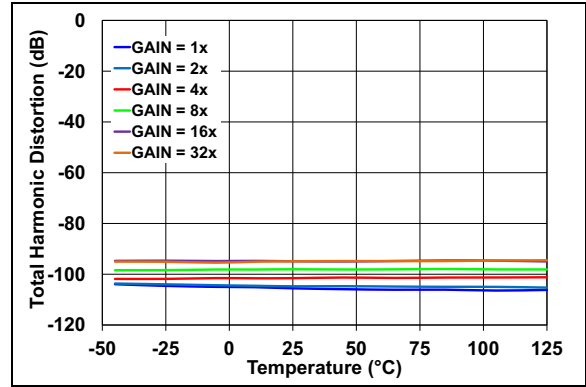


FIGURE 2-28: THD vs. Temperature.

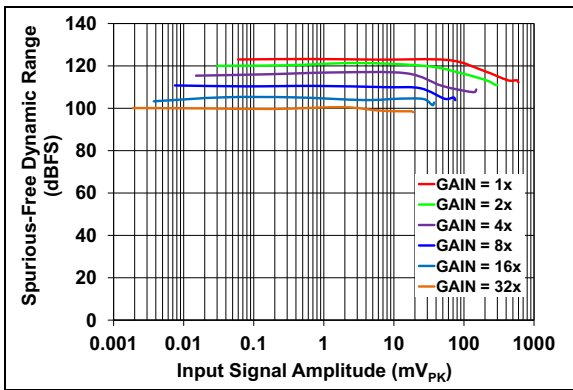


FIGURE 2-26: SFDR vs. Input Signal Amplitude.

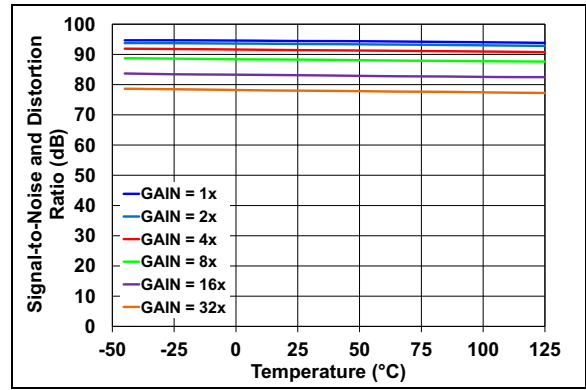


FIGURE 2-29: SINAD vs. Temperature.

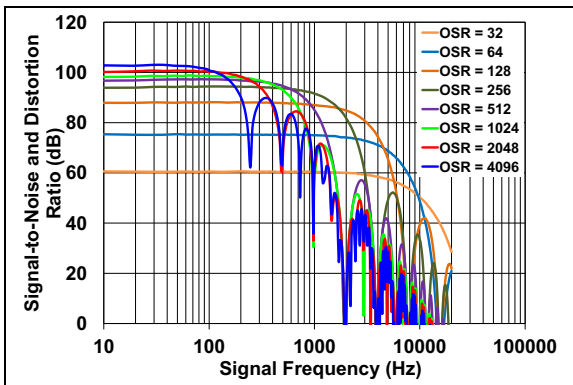


FIGURE 2-27: SINAD vs. Input Frequency.

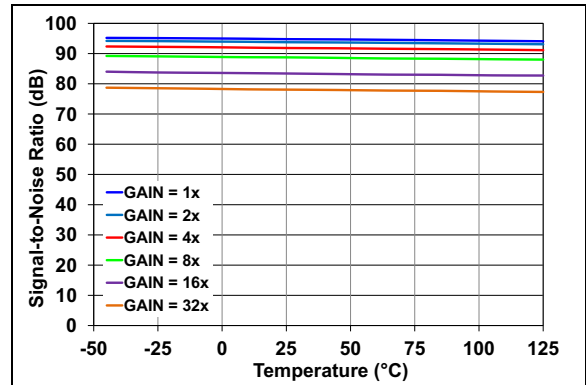


FIGURE 2-30: SNR vs. Temperature.

MCP3918

Note: Unless otherwise indicated, $AV_{DD} = 3V$, $DV_{DD} = 3V$; $T_A = +25^\circ C$, $MCLK = 4\text{ MHz}$; $PRESCALE = 1$; $OSR = 256$; $GAIN = 1$; $Dithering = \text{Maximum}$; $V_{IN} = -0.5\text{ dBFS}$ @ 60 Hz on all channels, $VREFEXT = 0$; $CLKEXT = 1$; $BOOST<1:0> = 10$.

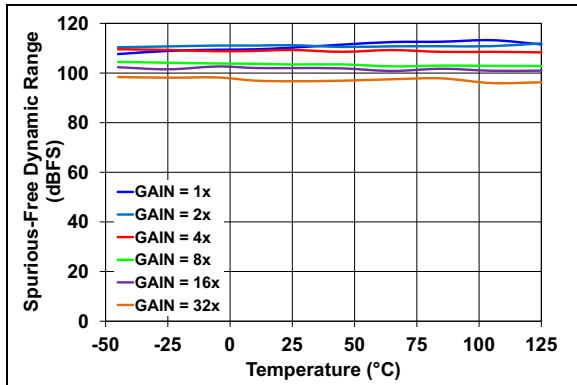


FIGURE 2-31: SFDR vs. Temperature.

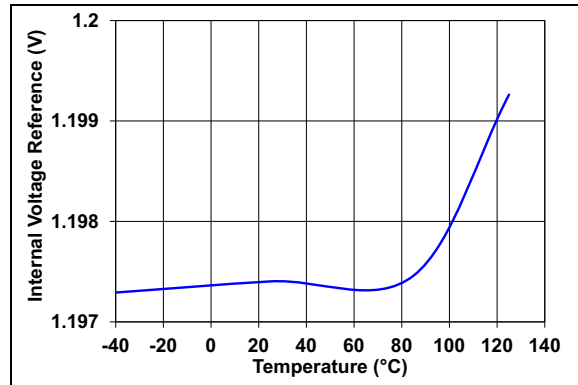


FIGURE 2-34: Internal Voltage Reference vs. Temperature.

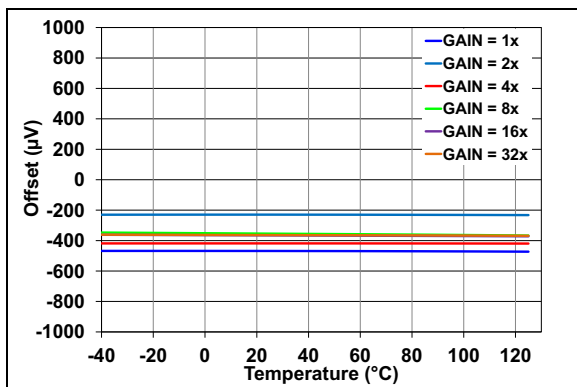


FIGURE 2-32: Offset vs. Temperature vs. Gain.

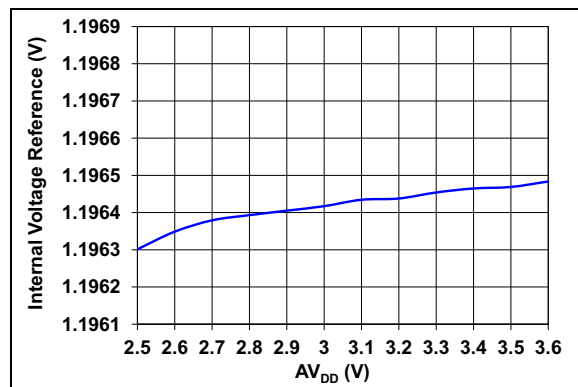


FIGURE 2-35: Internal Voltage Reference vs. Supply Voltage.

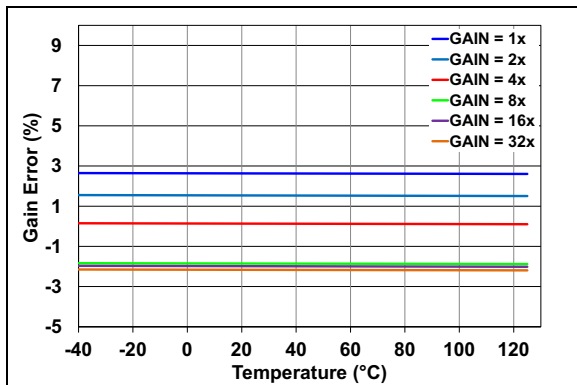


FIGURE 2-33: Gain Error vs. Temperature vs. Gain.

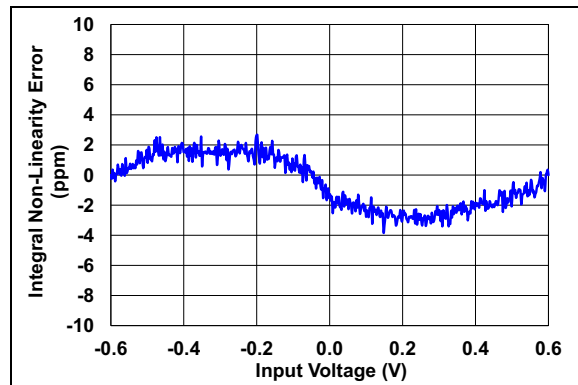


FIGURE 2-36: Integral Non-Linearity (Dithering Maximum).

Note: Unless otherwise indicated, $AV_{DD} = 3V$, $DV_{DD} = 3V$; $T_A = +25^\circ C$, $MCLK = 4\text{ MHz}$; $PRESCALE = 1$; $OSR = 256$; $GAIN = 1$; $Dithering = \text{Maximum}$; $V_{IN} = -0.5\text{ dBFS @ } 60\text{ Hz}$ on all channels, $V_{REFEXT} = 0$; $CLKEXT = 1$; $BOOST<1:0> = 10$.

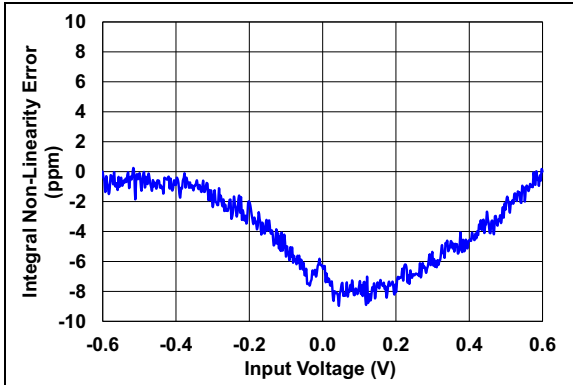


FIGURE 2-37: Integral Non-Linearity (Dithering Off).

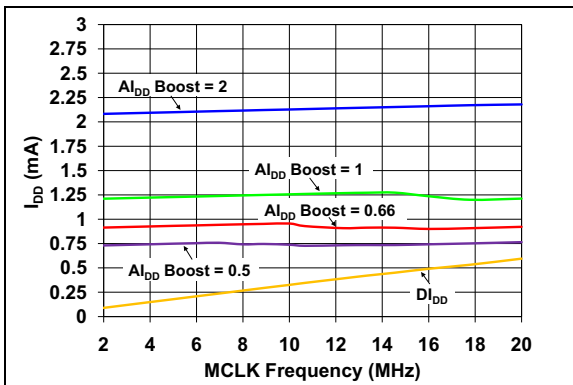


FIGURE 2-38: Operating Current vs. MCLK Frequency vs. Boost, $V_{DD} = 3.0V$.

MCP3918

NOTES:

3.0 PIN DESCRIPTION

The descriptions of the pins are listed in [Table 3-1](#).

TABLE 3-1: SIX-CHANNEL MCP3918 PIN FUNCTION TABLE

MCP3918 SSOP	MCP3918 QFN	Symbol	Function
1	18	$\overline{\text{RESET}}/\text{OSR0}$	Master Reset Logic Input Pin or OSR0 Logic Input Pin
2	19	DV_{DD}	Digital Power Supply Pin
3	20	AV_{DD}	Analog Power Supply Pin
4	1	CH0+	Non-Inverting Analog Input Pin for Channel 0
5	2	CH0-	Inverting Analog Input Pin for Channel 0
6	3	NC	Not connected
7	4	NC	Not connected
8	5	A_{GND}	Analog Ground Pin, Return Path for internal analog circuitry
9	6	REFIN+/OUT	Non-Inverting Voltage Reference Input and Internal Reference Output Pin
10	7	REFIN-	Inverting Voltage Reference Input Pin
11	8	D_{GND}	Digital Ground Pin, Return Path for internal digital circuitry
12	9	NC	Not connected
13	10	MDAT0	Modulator Data Output Pin for Channel 0
14	11	$\overline{\text{DR}}/\text{GAIN1}$	Data Ready Signal Output Pin or GAIN1 Logic Input Pin
15	12	OSC1/CLKI/GAIN0	Oscillator Crystal Connection Pin or External Clock Input Pin or GAIN0 Logic Input Pin
16	13	OSC2/MODE	Oscillator Crystal Connection Input Pin or Serial Interface Mode Logic Input Pin
17	14	$\overline{\text{CS}}/\text{BOOST}$	Serial Interface Chip Select Input Pin or BOOST Logic Input Pin
18	15	SCK/MCLK	Serial Interface Clock Pin or Master Clock Input Pin
19	16	SDO	Serial Interface Data Input Pin
20	17	SDI/OSR1	Serial Interface Data Input Pin or OSR1 Logic Input Pin
—	21	EP	Exposed Thermal Pad

3.1 Master Reset/OSR0 Logic Input (RESET/OSR0)

In SPI mode, this pin is active low and places the entire chip in a Reset state when active.

When $\overline{\text{RESET}}$ is logic low, all registers are reset to their default value, no communication can take place, and no clock is distributed inside the part, except in the input structure if MCLK is applied (if MCLK is idle, then no clock is distributed). This state is equivalent to a Power-On Reset (POR) state.

Since the default state of the ADC is on, the analog power consumption when $\overline{\text{RESET}}$ is logic low is equivalent to when $\overline{\text{RESET}}$ is logic high. Only the digital power consumption is largely reduced because this current consumption is essentially dynamic and is reduced drastically when there is no clock running.

If MCLK is applied when $\overline{\text{RESET}}$ is logic low, all the analog biases are enabled during a reset, so that the part is fully operational just after a $\overline{\text{RESET}}$ rising edge. If MCLK is not applied, there is a time after a hard reset when the conversion may not accurately correspond to the start-up of the input structure.

This input is Schmitt-triggered.

In 2-Wire Interface mode, this is the OSR0 logic select pin (see [Section 7.0 “2-Wire Serial Interface Description”](#) for the logic input table for OSR0 and OSR1). The pin state is latched when the MODE changes to 2-Wire Interface mode, and is relatched at each watchdog timer reset.

MCP3918

3.2 Digital V_{DD} (DV_{DD})

DV_{DD} is the power supply voltage for the digital circuitry within the MCP3918. For optimal performance, it is recommended to connect appropriate bypass capacitors (typically a 10 μF in parallel with a 0.1 μF ceramic). DV_{DD} should be maintained between 2.7V and 3.6V for specified operation.

3.3 Analog Power Supply (AV_{DD})

AV_{DD} is the power supply voltage for the analog circuitry within the MCP3918. It is recommended to connect appropriate bypass capacitors (typically a 10 μF in parallel with a 0.1 μF ceramic). AV_{DD} should be maintained between 2.7V and 3.6V for specified operation.

3.4 ADC Differential Analog Inputs ($CH0+/CH0-$)

The $CH0+/-$ pins are the fully differential analog voltage inputs for the delta-sigma ADC.

The linear and specified region of the channels is dependent on the PGA gain. This region corresponds to a differential voltage range of $\pm 600 \text{ mV}/\text{GAIN}$ with $V_{REF} = 1.2\text{V}$.

The maximum absolute voltage, with respect to A_{GND} , for each $CH0+/-$ input pin is $\pm 1\text{V}$ with no distortion and $\pm 2\text{V}$ with no breaking after continuous voltage. This maximum absolute voltage is not proportional to the V_{REF} voltage.

3.5 Analog Ground (A_{GND})

A_{GND} is the ground reference voltage for the analog circuitry within the MCP3918. For optimal performance, it is recommended to connect it to the same ground node voltage as D_{GND} , preferably with a star connection.

If an analog ground plane is available, it is recommended that these pins be tied to this plane of the Printed Circuit Board (PCB). This plane should also reference all other analog circuitry in the system.

3.6 Non-Inverting Reference Input, Internal Reference Output ($REFIN+/OUT$)

This pin is the non-inverting side of the differential voltage reference input for the ADC or the internal voltage reference output.

When $VREFEXT = 1$, an external voltage reference source can be used, and the internal voltage reference is disabled. When using an external differential voltage reference, it should be connected to its V_{REF+} pin. When using an external single-ended reference, it should be connected to this pin.

When $VREFEXT = 0$, the internal voltage reference is enabled and connected to this pin through a switch. This voltage reference has minimal drive capability and thus needs proper buffering and bypass capacitances (a 0.1 μF ceramic capacitor is sufficient in most cases), if used as a voltage source.

If the voltage reference is only used as an internal V_{REF} , adding bypass capacitance on $REFIN+/OUT$ is not necessary for keeping ADC accuracy, but a minimal 0.1 μF ceramic capacitance can be connected to avoid EMI/EMC susceptibility issues due to the antenna created by the $REFIN+/OUT$ pin if left floating.

3.7 Inverting Reference Input ($REFIN-$)

This pin is the inverting side of the differential voltage reference input for the ADC. When using an external differential voltage reference, it should be connected to its V_{REF-} pin. When using an external single-ended voltage reference, or when $VREFEXT = 0$ (default) and using the internal voltage reference, the pin should be directly connected to A_{GND} .

3.8 Digital Ground Connection (D_{GND})

D_{GND} is the ground reference voltage for the digital circuitry within the MCP3918. For optimal performance, it is recommended to connect it to the same ground node voltage as A_{GND} , preferably with a star connection.

If a digital ground plane is available, it is recommended that this pin be tied to this plane of the PCB. This plane should also reference all other digital circuitry in the system.

3.9 Modulator Output (MDAT0)

MDAT0 is the output pin for the modulator serial bit streams of the ADC. This pin is high-impedance when the EN_MDAT bit is logic low. When the EN_MDAT bit is enabled, the modulator bit stream of the ADC is present on the pin and updated at the AMCLK frequency (see [Section 5.3.5 “Modulator Output Block”](#) for a complete description of the modulator output). This pin can be directly connected to an MCU or a DSP when a specific digital filtering is needed. When the MDAT0 output pin is enabled, the DR output is disabled. In 2-Wire Interface mode, this pin is automatically inactive. Its state is high-impedance during the 2-Wire mode (therefore this pin can be left grounded in applications using exclusively the 2-Wire Interface mode; this configuration improves the EMI/EMC susceptibility of the device).

3.10 Data Ready Output/GAIN1 Logic Input (DR/GAIN1)

In SPI mode, the Data Ready pin indicates if a new conversion result is ready to be read. The default state of this pin is logic high when $\overline{DR_HIZ} = 1$ and is high-impedance when $\overline{DR_HIZ} = 0$ (default). After each conversion is finished, a logic low pulse will take place on the Data Ready pin to indicate the conversion result is ready as an interrupt. This pulse is synchronous with the master clock and has a defined and constant width.

The Data Ready pin is independent from the SPI interface and acts like an interrupt output. The Data Ready pin state is not latched, and the pulse width (and period) are both determined by the MCLK frequency, oversampling rate, and internal clock prescale settings. The Data Ready pulse width is equal to half a DMCLK period and the frequency of the pulses is equal to DRCLK (see [Figure 1-3](#)).

In 2-Wire Interface mode, this is the GAIN1 logic select pin. See [Section 7.0 “2-Wire Serial Interface Description”](#) for the logic input table for GAIN0 and GAIN1. The pin state is latched when the MODE changes to 2-Wire Interface mode, and is relatched at each watchdog timer reset.

Note: This pin should not be left floating when the DR_HIZ bit is low; a 100 k Ω pull-up resistor connected to DV_{DD} is recommended.

3.11 Crystal Oscillator/Master Clock Input/GAIN0 Logic Input (OSC1/CLKI/GAIN0)

In SPI mode, OSC1/CLKI and OSC2 provide the master clock for the device. When CLKEXT = 0, a resonant crystal or clock source with a similar sinusoidal waveform must be placed across the OSC1 and OSC2 pins to ensure proper operation.

The typical clock frequency specified is 4 MHz. For proper operation and in order to optimize ADC accuracy, AMCLK should be limited to the maximum frequency defined in [Table 5-2](#) for the function of the BOOST and PGA setting chosen. MCLK can take larger values as long as the prescaler settings (PRE<1:0>) limit $AMCLK = MCLK/PRESCALE$ in the defined range in [Table 5-2](#). Appropriate load capacitance should be connected to these pins for proper operation.

In 2-Wire Interface mode, this is the GAIN0 logic select pin. See [Section 7.0 “2-Wire Serial Interface Description”](#) for the logic input table for GAIN0 and GAIN1. The pin state is latched when the MODE changes to 2-Wire Interface mode, and is relatched at each watchdog timer reset.

Note: When CLKEXT = 1, the crystal oscillator is disabled. OSC1 becomes the master clock input CLKI, a direct path for an external clock source. One example would be a clock source generated by an MCU.

3.12 Crystal Oscillator Output/Interface MODE Logic Input (OSC2/MODE)

When CLKEXT = 0 (default), a resonant crystal or clock source with a similar sinusoidal waveform must be placed across the OSC1 and OSC2 pins to ensure proper operation. Appropriate load capacitance should be connected to these pins for proper operation.

When CLKEXT = 1 (default condition at POR), this pin is the MODE selection pin for the digital interface. When MODE is logic low, the SPI interface is selected (see [Section 6.0 “SPI Serial Interface Description”](#)). When MODE is logic high, the 2-Wire interface is selected (see [Section 7.0 “2-Wire Serial Interface Description”](#)). The MODE input is latched after a POR, a Master Reset and/or a Watchdog Timer Reset.

MCP3918

3.13 **Chip Select/ Boost Logic Input (CS/BOOST)**

In SPI mode, this pin is the SPI chip select that enables serial communication. When this pin is logic high, no communication can take place. A chip select falling edge initiates serial communication, and a chip select rising edge terminates the communication. No communication can take place even when \overline{CS} is logic low, if RESET is also logic low.

This input is Schmitt-triggered.

In the 2-Wire Interface mode, this is the Boost logic select pin. See [Section 7.0 “2-Wire Serial Interface Description”](#) for the logic input table for Boost. The pin state is latched when the mode changes to 2-Wire Interface mode, and is re-latched at each watchdog timer reset.

3.14 **Serial Data Clock/ Master Clock Input (SCK/MCLK)**

In SPI mode, this is the serial clock pin for SPI communication. Data is clocked into the device on the rising edge of SCK. Data is clocked out of the device on the falling edge of SCK.

The MCP3918 SPI interface is compatible with SPI 0,0 and 1,1 modes. SPI modes can be changed during a CS high time.

The maximum clock speed specified is 20 MHz. SCK and MCLK are two different and asynchronous clocks; SCK is only required when a communication happens, while MCLK is continuously required when the part is converting analog inputs.

This input is Schmitt-triggered.

In the 2-Wire Interface mode, this pin is defining the master clock of the device (MCLK) and the serial clock (SCK) for the interface simultaneously. In this mode, the clock has to be provided continuously to ensure proper operation. See [Section 7.0 “2-Wire Serial Interface Description”](#) for more information and timing diagrams of the 2-Wire interface protocol.

3.15 **Serial Data Output (SDO)**

This is the SPI data output pin. Data is clocked out of the device on the falling edge of SCK.

This pin remains in a high-impedance state during the command byte. It also stays high-impedance during the entire communication for Write commands and when the CS pin is logic high or when the RESET pin is logic low. This pin is active only when a Read command is processed. The interface is half-duplex (inputs and outputs do not happen at the same time).

In the 2-Wire Interface Mode, this pin is the only digital output pin, and sends synchronous frames at each data ready with data bits clocked out on the falling edge of SCK.

3.16 **Serial Data/OSR1 Logic Input (SDI/OSR1)**

In SPI mode, this is the SPI data input pin. Data is clocked into the device on the rising edge of SCK. When \overline{CS} is logic low, this pin is used to communicate with 8-bit commands followed by data bytes that can be 16-/24- or 32-bit wide. The interface is half-duplex (inputs and outputs do not happen at the same time).

Each communication starts with a chip select falling edge followed by an 8-bit command word, entered through the SDI pin. Each command is either a Read or a Write command. Toggling SDI during a Read command has no effect.

This input is Schmitt-triggered.

In 2-Wire Interface mode, this is the OSR1 logic select pin. See [Section 7.0 “2-Wire Serial Interface Description”](#) for the logic input table for OSR0 and OSR1. The pin state is latched when the mode changes to 2-Wire Interface Mode, and is relatched at each watchdog timer reset.

3.17 **Exposed Pad (EP)**

Exposed Thermal Pad. This pin must be connected to A_{GND} for optimal accuracy and thermal performance. This pad can also be left floating if necessary. Connecting it to A_{GND} is preferable for the lowest noise performance and best thermal behavior.

4.0 TERMINOLOGY AND FORMULAS

This section defines the terms and formulas used throughout this data sheet. The following terms are defined:

- **MCLK – Master Clock**
- **AMCLK – Analog Master Clock**
- **DMCLK – Digital Master Clock**
- **DRCLK – Data Rate Clock**
- **OSR – Oversampling Ratio**
- **Offset Error**
- **Gain Error**
- **Integral Non-Linearity Error**
- **Signal-to-Noise Ratio (SNR)**
- **Signal-to-Noise and Distortion Ratio (SINAD)**
- **Total Harmonic Distortion (THD)**
- **Spurious-Free Dynamic Range (SFDR)**
- **MCP3918 Delta-Sigma Architecture**
- **Idle Tones**
- **Dithering**
- **PSRR**
- **CMRR**
- **ADC Reset Mode**
- **Hard Reset Mode (RESET = 0)**
- **ADC Shutdown Mode**
- **Full Shutdown Mode**

4.1 MCLK – Master Clock

This is the fastest clock present on the device. This is the frequency of the crystal placed at the OSC1/OSC2 inputs when CLKEXT = 0 or the frequency of the clock input at the OSC1/CLKI when CLKEXT = 1. In the 2-Wire mode, this is the frequency present at the SCK input pin. See [Figure 4-1](#).

4.2 AMCLK – Analog Master Clock

AMCLK is the clock frequency that is present on the analog portion of the device, after prescaling has occurred via the PRE<1:0> bits in the CONFIG0 register (see [Equation 4-1](#)). The analog portion includes the PGA and one delta-sigma modulator.

EQUATION 4-1:

$$AMCLK = \frac{MCLK}{PRESCALE}$$

TABLE 4-1: MCP3918 OVERSAMPLING RATIO SETTINGS

CONFIG0		Analog Master Clock Prescale
PRE<1:0>		
0	0	AMCLK = MCLK/1 (default)
0	1	AMCLK = MCLK/2
1	0	AMCLK = MCLK/4
1	1	AMCLK = MCLK/8

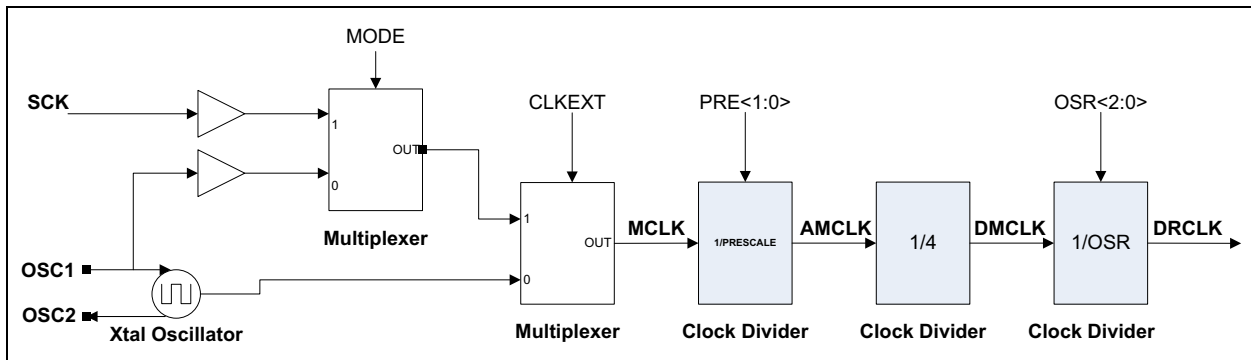


FIGURE 4-1: Clock Sub-Circuitry.

4.3 DMCLK – Digital Master Clock

This is the clock frequency that is present on the digital portion of the device, after prescaling and division by four ([Equation 4-2](#)). This is also the sampling frequency, which is the rate at which the modulator outputs are refreshed. Each period of this clock corresponds to one sample and one modulator output. See [Figure 4-1](#).

EQUATION 4-2:

$$DMCLK = \frac{AMCLK}{4} = \frac{MCLK}{4 \times PRESCALE}$$

4.4 DRCLK – Data Rate Clock

This is the output data rate, i.e. the rate at which the ADC outputs new data. Each new data is signaled by a Data Ready pulse on the Data Ready pin.

This data rate is dependent on the OSR and the prescaler with the formula in [Equation 4-3](#).

EQUATION 4-3:

$$DRCLK = \frac{DMCLK}{OSR} = \frac{AMCLK}{4 \times OSR} = \frac{MCLK}{4 \times OSR \times PRESCALE}$$

MCP3918

Since this is the output data rate, and because the decimation filter is a sinc (or notch) filter, there is a notch in the filter transfer function at each integer multiple of this rate.

Table 4-2 describes the various combinations of OSR and PRESCALE, and their associated AMCLK, DMCLK and DRCLK rates.

TABLE 4-2: DEVICE DATA RATES IN FUNCTION OF MCLK, OSR AND PRESCALE, MCLK = 4 MHZ

PRE<1:0>		OSR<2:0>			OSR	AMCLK	DMCLK	DRCLK	DRCLK (ksp/s)	SINAD (dB) Note 1	ENOB from SINAD (bits) Note 1
1	1	1	1	1	4096	MCLK/8	MCLK/32	MCLK/131072	0.035	102.5	16.7
1	1	1	1	0	2048	MCLK/8	MCLK/32	MCLK/65536	0.061	100	16.3
1	1	1	0	1	1024	MCLK/8	MCLK/32	MCLK/32768	0.122	97	15.8
1	1	1	0	0	512	MCLK/8	MCLK/32	MCLK/16384	0.244	96	15.6
1	1	0	1	1	256	MCLK/8	MCLK/32	MCLK/8192	0.488	95	15.5
1	1	0	1	0	128	MCLK/8	MCLK/32	MCLK/4096	0.976	90	14.7
1	1	0	0	1	64	MCLK/8	MCLK/32	MCLK/2048	1.95	83	13.5
1	1	0	0	0	32	MCLK/8	MCLK/32	MCLK/1024	3.9	70	11.3
1	0	1	1	1	4096	MCLK/4	MCLK/16	MCLK/65536	0.061	102.5	16.7
1	0	1	1	0	2048	MCLK/4	MCLK/16	MCLK/32768	0.122	100	16.3
1	0	1	0	1	1024	MCLK/4	MCLK/16	MCLK/16384	0.244	97	15.8
1	0	1	0	0	512	MCLK/4	MCLK/16	MCLK/8192	0.488	96	15.6
1	0	0	1	1	256	MCLK/4	MCLK/16	MCLK/4096	0.976	95	15.5
1	0	0	1	0	128	MCLK/4	MCLK/16	MCLK/2048	1.95	90	14.7
1	0	0	0	1	64	MCLK/4	MCLK/16	MCLK/1024	3.9	83	13.5
1	0	0	0	0	32	MCLK/4	MCLK/16	MCLK/512	7.8125	70	11.3
0	1	1	1	1	4096	MCLK/2	MCLK/8	MCLK/32768	0.122	102.5	16.7
0	1	1	1	0	2048	MCLK/2	MCLK/8	MCLK/16384	0.244	100	16.3
0	1	1	0	1	1024	MCLK/2	MCLK/8	MCLK/8192	0.488	97	15.8
0	1	1	0	0	512	MCLK/2	MCLK/8	MCLK/4096	0.976	96	15.6
0	1	0	1	1	256	MCLK/2	MCLK/8	MCLK/2048	1.95	95	15.5
0	1	0	1	0	128	MCLK/2	MCLK/8	MCLK/1024	3.9	90	14.7
0	1	0	0	1	64	MCLK/2	MCLK/8	MCLK/512	7.8125	83	13.5
0	1	0	0	0	32	MCLK/2	MCLK/8	MCLK/256	15.625	70	11.3
0	0	1	1	1	4096	MCLK	MCLK/4	MCLK/16384	0.244	102.5	16.7
0	0	1	1	0	2048	MCLK	MCLK/4	MCLK/8192	0.488	100	16.3
0	0	1	0	1	1024	MCLK	MCLK/4	MCLK/4096	0.976	97	15.8
0	0	1	0	0	512	MCLK	MCLK/4	MCLK/2048	1.95	96	15.6
0	0	0	1	1	256	MCLK	MCLK/4	MCLK/1024	3.9	95	15.5
0	0	0	1	0	128	MCLK	MCLK/4	MCLK/512	7.8125	90	14.7
0	0	0	0	1	64	MCLK	MCLK/4	MCLK/256	15.625	83	13.5
0	0	0	0	0	32	MCLK	MCLK/4	MCLK/128	31.25	70	11.3

Note 1: For OSR = 32 and 64, DITHER = None. For OSR = 128 and higher, DITHER = Maximum. The SINAD values are given for GAIN = 1.

4.5 OSR – Oversampling Ratio

This is the ratio of the sampling frequency to the output data rate: $OSR = DMCLK/DRCLK$. The default OSR is 256, with $MCLK = 4\text{ MHz}$, $PRESCALE = 1$, $AMCLK = 4\text{ MHz}$, $f_S = 1\text{ MHz}$, and $f_D = 3.90625\text{ kpsps}$. The bits in [Table 4-3](#), available in the CONFIG0 register, are used to change the oversampling ratio (OSR).

TABLE 4-3: MCP3918 OVERSAMPLING RATIO SETTINGS

CONFIG0			Oversampling Ratio (OSR)
OSR<2:0>			
0	0	0	32
0	0	1	64
0	1	0	128
0	1	1	256 (Default)
1	0	0	512
1	0	1	1024
1	1	0	2048
1	1	1	4096

4.6 Offset Error

This is the error induced by the ADC when the inputs are shorted together ($V_{IN} = 0V$). The specification incorporates both PGA and ADC offset contributions. This error varies with PGA and OSR settings. The offset is different on each channel and varies from chip to chip. The offset is specified in μV . The offset error can be digitally compensated independently on each channel through the OFFCAL_CH0 register with a 24-bit calibration word.

The offset on the MCP3918 has a low temperature coefficient.

4.7 Gain Error

This is the error induced by the ADC on the slope of the transfer function. It is the deviation expressed in %, compared to the ideal transfer function defined in [Equation 5-3](#). The specification incorporates both PGA and ADC gain error contributions, but not the V_{REF} contribution (it is measured with an external V_{REF}).

This error varies with PGA and OSR settings. The gain error can be digitally compensated independently on each channel through the GAINCAL_CH0 register with a 24-bit calibration word.

The gain error on the MCP3918 has a low temperature coefficient.

4.8 Integral Non-Linearity Error

Integral non-linearity error is the maximum deviation of an ADC transition point from the corresponding point of an ideal transfer function, with the offset and gain errors removed, or with the end points equal to zero.

It is the maximum remaining error after calibration of offset and gain errors for a DC input signal.

4.9 Signal-to-Noise Ratio (SNR)

For the MCP3918 ADC, the signal-to-noise ratio is a ratio of the output fundamental signal power to noise power (not including the harmonics of the signal), when the input is a sine wave at a predetermined frequency (see [Equation 4-4](#)). It is measured in dB. Usually, only the maximum signal-to-noise ratio is specified. The SNR figure depends mainly on the OSR and DITHER settings of the device.

EQUATION 4-4: SIGNAL-TO-NOISE RATIO

$$SNR(dB) = 10\log\left(\frac{SignalPower}{NoisePower}\right)$$

4.10 Signal-to-Noise and Distortion Ratio (SINAD)

The most important figure of merit for the analog performance of the ADC present on the MCP3918 is the Signal-to-Noise and Distortion (SINAD) specification.

The Signal-to-Noise and Distortion ratio is similar to signal-to-noise ratio, with the exception that you must include the harmonics power in the noise power calculation (see [Equation 4-5](#)). The SINAD specification depends mainly on the OSR and DITHER settings.

EQUATION 4-5: SINAD EQUATION

$$SINAD(dB) = 10\log\left(\frac{SignalPower}{Noise + HarmonicsPower}\right)$$

The calculated combination of SNR and THD per the following formula also yields SINAD (see [Equation 4-6](#)).

EQUATION 4-6: SINAD, THD AND SNR RELATIONSHIP

$$SINAD(dB) = 10\log\left[10^{\left(\frac{SNR}{10}\right)} + 10^{\left(\frac{-THD}{10}\right)}\right]$$

MCP3918

4.11 Total Harmonic Distortion (THD)

The total harmonic distortion is the ratio of the output harmonics power to the fundamental signal power for a sine wave input, and is defined in [Equation 4-7](#).

EQUATION 4-7:

$$THD(dB) = 10\log\left(\frac{HarmonicsPower}{FundamentalPower}\right)$$

The THD calculation includes the first 35 harmonics for the MCP3918 specifications. The THD is usually only measured with respect to the first ten harmonics. THD is sometimes expressed as percentage. [Equation 4-8](#) converts the THD in percentage.

EQUATION 4-8:

$$THD(\%) = 100 \times 10^{\frac{THD(dB)}{20}}$$

This specification depends mainly on the DITHER setting.

4.12 Spurious-Free Dynamic Range (SFDR)

SFDR is the ratio between the output power of the fundamental and the highest spur in the frequency spectrum (see [Equation 4-9](#)). The spur frequency is not necessarily a harmonic of the fundamental, even though this is usually the case. This figure represents the dynamic range of the ADC when a full-scale signal is used at the input. This specification depends mainly on the DITHER setting.

EQUATION 4-9:

$$SFDR(dB) = 10\log\left(\frac{FundamentalPower}{HighestSpurPower}\right)$$

4.13 MCP3918 Delta-Sigma Architecture

The MCP3918 incorporates one delta-sigma ADC with a multi-bit architecture. A delta-sigma ADC is an oversampling converter that incorporates a built-in modulator, which digitizes the quantity of charges integrated by the modulator loop (see [Figure 5-1](#)). The quantizer is the block that performs the analog-to-digital conversion. The quantizer is typically 1-bit, or a simple comparator, which helps maintain the linearity performance of the ADC (the DAC structure is, in this case, inherently linear).

Multi-bit quantizers help lower the quantization error (the error fed back in the loop can be very large with 1-bit quantizers) without changing the order of the modulator or the OSR, which leads to better SNR figures. However, typically, the linearity of such architectures is more difficult to achieve since the DAC linearity is as difficult to attain, and its linearity limits the THD of such ADC.

The 5-level quantizer present in MCP3918 is a Flash ADC composed of four comparators arranged with equally spaced thresholds and a thermometer coding. For improved THD figures, the MCP3918 also includes proprietary 5-level DAC architecture that is inherently linear.

4.14 Idle Tones

A delta-sigma converter is an integrating converter. It also has a finite quantization step (LSB) which can be detected by its quantizer. A DC input voltage that is below the quantization step should only provide an all zeros result, since the input is not large enough to be detected. As an integrating device, any delta-sigma ADC will show idle tones. This means that the output will have spurs in the frequency content that depend on the ratio between the quantization step voltage and the input voltage. These spurs are the result of the integrated sub-quantization step inputs that will eventually cross the quantization steps after a long enough integration. This will induce an AC frequency at the output of the ADC, and can be shown in the ADC output spectrum.

These idle tones are residues that are inherent to the quantization process and to the fact that the converter is integrating at all times without being reset. They are residues of the finite resolution of the conversion process. They are very difficult to attenuate and they are heavily signal-dependent. They can degrade the SFDR and THD of the converter, even for DC inputs. They can be localized in the baseband of the converter and are thus difficult to filter from the actual input signal.

For power metering applications, idle tones can be very disturbing, because energy can be detected even at the 50 or 60 Hz frequency, depending on the DC offset of the ADC, while no power is really present at the inputs. The only practical way to suppress or attenuate the idle tones phenomenon is to apply dithering to the ADC. The amplitudes of the idle tones are a function of the order of the modulator, the OSR and the number of levels in the quantizer of the modulator. A higher order, a higher OSR, or a higher number of levels for the quantizer will attenuate the amplitudes of the idle tones.

4.15 Dithering

In order to suppress or attenuate the idle tones present in any delta-sigma ADC, dithering can be applied to the ADC. Dithering is the process of adding an error to the ADC feedback loop in order to “decorrelate” the outputs and “break” the idle tone’s behavior. Usually a random or pseudo-random generator adds an analog or digital error to the feedback loop of the delta-sigma ADC in order to ensure that no tonal behavior can happen at its outputs. This error is filtered by the feedback loop and typically has a zero average value, so that the converter’s static transfer function is not disturbed by the dithering process. However, the dithering process slightly increases the noise floor (it adds noise to the part) while reducing its tonal behavior and thus improving SFDR and THD. The dithering process scrambles the idle tones into baseband white noise and ensures that dynamic specs (SNR, SINAD, THD, SFDR) are less signal-dependent. The MCP3918 incorporates a proprietary dithering algorithm on the ADC in order to remove idle tones and improve THD, which is crucial for power metering applications.

4.16 PSRR

This is the ratio between a change in the power supply voltage and the ADC output codes. It measures the influence of the power supply voltage on the ADC outputs.

The PSRR specification can be DC (the power supply takes multiple DC values) or AC (the power supply is a sine wave at a certain frequency with a certain common-mode). In AC, the amplitude of the sine wave represents the change in the power supply. It is defined in [Equation 4-10](#).

EQUATION 4-10:

$$PSRR(dB) = 20\log\left(\frac{\Delta V_{OUT}}{\Delta V_{DD}}\right)$$

Where V_{OUT} is the equivalent input voltage that the output code translates to, with the ADC transfer function.

In the MCP3918 specification, AV_{DD} varies from 2.7V to 3.6V, and for AC PSRR a 50/60 Hz sine wave centered around 3.0V is chosen, with a maximum amplitude of 300 mV. The PSRR specification is measured with $AV_{DD} = DV_{DD}$.

4.17 CMRR

CMRR is the ratio between a change in the common-mode input voltage and the ADC output codes. It measures the influence of the common-mode input voltage on the ADC outputs.

The CMRR specification can be DC (the common-mode input voltage takes multiple DC values) or AC (the common-mode input voltage is a sine wave at a certain frequency with a certain common-mode). In AC, the amplitude of the sine wave represents the change in the power supply. It is defined in [Equation 4-11](#).

EQUATION 4-11:

$$CMRR(dB) = 20\log\left(\frac{\Delta V_{OUT}}{\Delta V_{CM}}\right)$$

Where $V_{CM} = (CH0+ + CH0-)/2$ is the common-mode input voltage and V_{OUT} is the equivalent input voltage that the output code translates to, with the ADC transfer function. In the MCP3918 specification, V_{CM} varies from -1V to +1V.

4.18 ADC Reset Mode

ADC Reset mode (also called Soft Reset mode) can only be entered in SPI mode by setting the RESET<0> bit high in the CONFIG1 register. This mode is defined as the condition where the converter is active, but its output is forced to 0.

The registers are not affected in this Reset mode and retain their state, except for the data registers of the corresponding channel, which are reset to 0.

The ADC can immediately output meaningful codes after leaving the Reset mode (and after the sinc filter settling time). This mode is both entered and exited through bit settings in CONFIG1 register.

The configuration registers are not modified by the Soft Reset mode. While in Reset mode, no Data Ready pulse will be generated by the ADC.

When the ADC exits ADC Reset mode, any phase delay present before reset was entered will still be present.

However, when the ADC is in Soft Reset mode, the input structure is still clocking if MCLK is applied in order to properly bias the inputs, so that no leakage current is observed. If MCLK is not applied, large analog input leakage currents can be observed for highly negative input voltages (typically below -0.6V referred to A_{GND}).

4.19 Hard Reset Mode ($\overline{\text{RESET}} = 0$)

This mode is only available during a POR or when the $\overline{\text{RESET}}$ pin is pulled low in the SPI mode. The $\overline{\text{RESET}}$ pin logic-low state places the device in Hard Reset mode. In this mode, all internal registers are reset to their default state. In the 2-Wire Interface mode, the $\overline{\text{RESET}}$ pin functionality is not available and the user must use a watchdog timer reset to be able to fully reset the part (see [Section 7.4 “Watchdog Timer Reset, Resetting the Part when in 2-Wire Mode”](#)).

The DC biases for the analog blocks are still active, i.e. the MCP3918 is ready to convert. However, this pin clears all conversion data in the ADC. The comparators' outputs of the ADC are forced to their Reset state (0011). The sinc filter as well as its double output buffers are all reset. See serial timing for minimum pulse low time in [Section 1.0 “Electrical Characteristics”](#). During a Hard Reset, no communication with the part is possible. The digital interface is maintained in a Reset state.

During this state, the clock MCLK can be applied to the part in order to properly bias the input structures of all channels. If not applied, large analog input leakage currents can be observed for highly negative input signals, and, after removing the Hard Reset state, a certain start-up time is necessary to properly bias the input structure. During this delay, the ADC conversions can be inaccurate.

4.20 ADC Shutdown Mode

ADC Shutdown mode is defined as a state where the converters and their biases are off, consuming only leakage current. When the Shutdown bit is reset to '0', the analog biases will be enabled, as well as the clock and the digital circuitry. The ADC will give a data ready after the sinc filter settling time has occurred. However, since the analog biases are not completely settled at the beginning of the conversion, the sampling may not be accurate for about 1 ms (corresponding to the settling time of the biasing under worst-case conditions). In order to ensure accuracy, the Data Ready pulse within the delay of 1 ms + settling time of the sinc filter should be discarded.

The configuration registers are not modified by the Shutdown mode. This mode is only available in SPI mode through programming the SHUTDOWN<1:0> bits in the CONFIG1 register.

The output data is flushed to all zeros while in ADC Shutdown mode. While in ADC Shutdown mode, no Data Ready pulse will be generated by the ADC.

When the ADC exits ADC Shutdown mode, any phase delay present before Shutdown was entered will still be present.

If the ADC is in Shutdown mode, the clock is not distributed to the input structure or to the digital core for low-power operation. This can potentially cause high analog input leakage currents at the analog inputs if the input voltage is highly negative (typically below -0.6V referred to A_{GND}). Once the ADC is back to normal operation, the clock is automatically distributed again.

4.21 Full Shutdown Mode

The lowest power consumption can be achieved when SHUTDOWN<0> = 1, VREFEXT = CLKEXT = 1. This mode is called Full Shutdown mode, and no analog circuitry is enabled. In this mode, both AV_{DD} and DV_{DD} POR monitoring are also disabled, and no clock is propagated throughout the chip. The ADC is in Shutdown mode, and the internal voltage reference is disabled. This mode can only be entered during SPI mode.

The clock is no longer distributed to the input structure either. This can potentially cause high analog input leakage currents at the analog inputs, if the input voltage is highly negative (typically below -0.6V referred to A_{GND}).

The only circuit that remains active is the SPI interface, but this circuit does not induce any static power consumption. If SCK is idle, the only current consumption comes from the leakage currents induced by the transistors and is less than 5 μA on each power supply.

This mode can be used to power down the chip completely and to avoid power consumption when there is no data to convert at the analog inputs. Any SCK or MCLK edge occurring while in this mode will induce dynamic power consumption.

Once any of the SHUTDOWN, CLKEXT and VREFEXT bits returns to '0', the two POR monitoring blocks are operational, and AV_{DD} and DV_{DD} monitoring can take place.

4.22 Measurement Error

The measurement error specification is typically used in power metering applications. This specification is a measurement of the linearity of the active energy of a given power meter across its dynamic range.

For this measurement, the goal is to measure the active energy of one phase when the voltage Root Mean Square (RMS) value is fixed, and the current RMS value is sweeping across the dynamic range specified by the meter. The measurement error is the non-linearity error of the energy power across the current dynamic range. It is expressed in percent (%). [Equation 4-12](#) shows the formula that calculates the measurement error:

EQUATION 4-12:

$$\text{Measurement Error}(I_{RMS}) = \frac{\text{Measured Active Energy} - \text{Active Energy present at inputs}}{\text{Active Energy present at inputs}} \times 100\%$$

In the present device, the calculation of the active energy is done externally, as a post-processing step that typically happens in the microcontroller, considering, for example, one ADC as current channel and the other MCP3918 ADC as voltage channel. The voltage channel is fed with a full-scale sine wave at 600 mV peak and is configured with GAIN = 1 and DITHER = Maximum. To obtain the active energy measurement error graphs, the current channel is fed with sine waves with amplitudes that vary from 600 mV peak to 60 μ V peak, representing a 10,000:1 dynamic range. The offset is removed on both current and voltage channels, and the channels are multiplied together to give instantaneous power. The active energy is calculated by multiplying the current and voltage channel, and averaging the results of this power during 20 seconds, to extract the active energy. The sampling frequency is chosen as a multiple integer of line frequency (coherent sampling). Therefore, the calculation does not take into account any residue coming from bad synchronization.

The measurement error is a function of I_{RMS} , varies with the OSR, averaging time, MCLK frequency and is tightly coupled with the noise and linearity specifications. The measurement error is a function of the linearity and THD of the ADC, while the standard deviation of the measurement error is a function of the noise specification of the ADC. Overall, the low THD specification enables low measurement error on a very large dynamic range (e.g. 10,000:1). A low noise and high SNR specification enables the decrease of the measurement time and, therefore, of the calibration time, to obtain a reliable measurement error specification.

[Figure 2-5](#) shows the typical measurement error curves obtained with the samples acquired by the MCP3918, using the default settings with 1-point and 2-point calibration. These calibrations are detailed in [Section 8.6 “Energy Measurement Error Considerations”](#).

MCP3918

NOTES:

5.0 DEVICE OVERVIEW

5.1 Analog Inputs (CH0+/-)

The MCP3918 analog inputs can be connected directly to current and voltage transducers (such as shunts, current transformers or Rogowski coils). Each input pin is protected by specialized ESD structures that allow bipolar $\pm 2V$ continuous voltage, with respect to A_{GND} , to be present at their inputs without the risk of permanent damage.

The ADC has fully differential voltage inputs for better noise performance. The absolute voltage at each pin relative to A_{GND} should be maintained in the $\pm 1V$ range during operation in order to ensure the specified ADC accuracy. The common mode signals should be adapted to respect both the previous conditions and the differential input voltage range. For best performance, the common mode signals should be maintained to A_{GND} .

Note: If the analog inputs are held to a potential of -0.6 to $-1V$ for extended periods of time, MCLK must be present inside the device in order to avoid large leakage currents at the analog inputs. This is true even during Hard Reset mode or during the Soft Reset of the ADC. However, during the Shutdown mode of the ADC or during the POR state, the clock is not distributed inside the circuit. During these states, it is recommended to keep the analog input voltages above $-0.6V$ referred to A_{GND} in order to avoid high analog inputs leakage currents.

5.2 Programmable Gain Amplifiers (PGA)

The Programmable Gain Amplifier (PGA) resides at the front-end of the delta-sigma ADC. It has two functions: translate the common-mode voltage of the input from A_{GND} to an internal level between A_{GND} and AV_{DD} , and amplify the input differential signal. The translation of the common-mode voltage does not change the differential signal, but recenters the common mode so that the input signal can be properly amplified.

The PGA block can be used to amplify very low signals, but the differential input range of the delta-sigma modulator must not be exceeded. The PGA of the ADC is controlled by the PGA_CH0<2:0> bits in the GAIN register. Table 5-1 displays the gain settings for the PGA.

TABLE 5-1: PGA CONFIGURATION SETTING

Gain PGA_CH0<2:0>			Gain (V/V)	Gain (dB)	V_{IN} Range (V)
0	0	0	1	0	± 0.6
0	0	1	2	6	± 0.3
0	1	0	4	12	± 0.15
0	1	1	8	18	± 0.075
1	0	0	16	24	± 0.0375
1	0	1	32	30	± 0.01875

Note: The two undefined settings are $G = 1$. This table is defined with $V_{REF} = 1.2V$.

5.3 Delta-Sigma Modulator

5.3.1 ARCHITECTURE

The ADC includes a proprietary second-order modulator with a multi-bit 5-level DAC architecture (see Figure 5-1). The quantizer is a Flash ADC composed of four comparators with equally spaced thresholds and a thermometer output coding. The proprietary five-level architecture ensures minimum quantization noise at the outputs of the modulators without disturbing linearity or inducing additional distortion. The sampling frequency is DMCLK (typically 1 MHz with MCLK = 4 MHz) so the modulators are refreshed at a DMCLK rate.

Figure 5-1 represents a simplified block diagram of the delta-sigma ADC present on MCP3918.

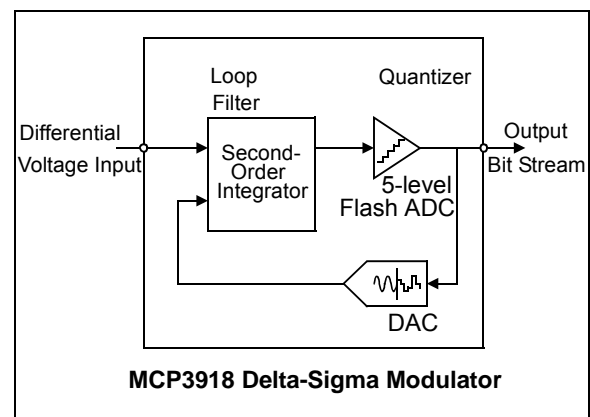


FIGURE 5-1: Simplified Delta-Sigma ADC Block Diagram.

MCP3918

5.3.2 MODULATOR INPUT RANGE AND SATURATION POINT

For a specified voltage reference value of 1.2V, the modulator specified differential input range is ± 600 mV. The input range is proportional to V_{REF} and scales according to the V_{REF} voltage. This range ensures the stability of the modulator over amplitude and frequency. Outside this range, the modulator is still functional; however, its stability is no longer ensured and therefore it is not recommended to exceed this limit. The saturation point for the modulator is $V_{REF}/1.5$, since the transfer function of the ADC includes a gain of 1.5 by default (independent from the PGA setting). See [Section 5.5 “ADC Output Coding”](#).

5.3.3 BOOST SETTINGS

The delta-sigma modulator includes a programmable biasing circuit, in order to further adjust the power consumption to the sampling speed applied through the MCLK. This can be programmed through the BOOST<1:0> bits, which are applied to all channels simultaneously.

The maximum achievable analog master clock speed (AMCLK), the maximum sampling frequency (DMCLK) and the maximum achievable data rate (DRCLK) highly depend on the BOOST<1:0> and PGA_CH0<2:0> settings. [Table 5-2](#) specifies the maximum AMCLK possible to keep optimal accuracy with respect to the BOOST<1:0> and PGA_CH0<2:0> settings.

TABLE 5-2: MAXIMUM AMCLK LIMITS AS A FUNCTION OF BOOST AND PGA GAIN

Conditions		$V_{DD} = 3.0V$ to $3.6V$, T_A from $-40^\circ C$ to $+125^\circ C$		$V_{DD} = 2.7V$ to $3.6V$, T_A from $-40^\circ C$ to $+125^\circ C$	
Boost	Gain	Maximum AMCLK (MHz) (SINAD within -3 dB from its maximum)	Maximum AMCLK (MHz) (SINAD within -5 dB from its maximum)	Maximum AMCLK (MHz) (SINAD within -3 dB from its maximum)	Maximum AMCLK (MHz) (SINAD within -5 dB from its maximum)
0.5x	1	4	4	4	4
0.66x	1	6.4	7.3	6.4	7.3
1x	1	11.4	11.4	10.6	10.6
2x	1	16	16	16	16
0.5x	2	4	4	4	4
0.66x	2	6.4	7.3	6.4	7.3
1x	2	11.4	11.4	10.6	10.6
2x	2	16	16	13.3	14.5
0.5x	4	2.9	2.9	2.9	2.9
0.66x	4	6.4	6.4	6.4	6.4
1x	4	10.7	10.7	9.4	10.7
2x	4	16	16	16	16
0.5x	8	2.9	4	2.9	4
0.66x	8	7.3	8	6.4	7.3
1x	8	11.4	12.3	8	8.9
2x	8	16	16	10	11.4
0.5x	16	2.9	2.9	2.9	2.9
0.66x	16	6.4	7.3	6.4	7.3
1x	16	11.4	11.4	9.4	10.6
2x	16	13.3	16	8.9	11.4
0.5x	32	2.9	2.9	2.9	2.9
0.66x	32	7.3	7.3	7.3	7.3
1x	32	10.6	12.3	9.4	10.6
2x	32	13.3	16	10	11.4

5.3.4 DITHER SETTINGS

The modulator includes a dithering algorithm that can be enabled through the DITHER<1:0> bits in the CONFIG0 register. This dithering process improves THD and SFDR (for high OSR settings), while slightly increasing the noise floor of the ADC. For power metering applications and applications that are distortion-sensitive, it is recommended to keep DITHER at maximum settings for best THD and SFDR performance. In the case of power metering applications, THD and SFDR are critical specifications. Optimizing SNR (noise floor) is not problematic due to the large averaging factor at the output of the ADC. Therefore, even for low OSR settings, the dithering algorithm will show a positive impact on the performance of the application.

5.3.5 MODULATOR OUTPUT BLOCK

If the user wishes to use the modulator output of the device, the EN_MDAT bit in the STATUSCOM register must be set to enable.

When the EN_MDAT bit is enabled, the modulator output is present at the MDAT0 output pin as soon as the command is placed. Additionally, the corresponding sinc filter is disabled in order to consume less current. The corresponding Data Ready pulse is not present either at the \overline{DR} output pin. When the EN_MDAT bit is cleared, the sinc filter is back to normal operation and the MDAT0 output is high-impedance. The data ready output pin is then placed in high-impedance regardless of the DR_HIZ setting, so that the user can tie this pin to an external supply or ground for lower noise behavior.

Since the delta-sigma modulator has a five-level output given by the state of the four comparators with thermometer coding, its output can be represented on four bits, each bit giving the state of the corresponding comparator (see Table 5-3). These bits are present in the MOD register and are updated at the DMCLK rate.

In order to output the result of the comparator on a separate pin (MDAT0), this comparator output bit has been arranged to be serially output at the AMCLK rate (see Figure 5-2).

This 1-bit serial bit stream is the same that would be produced by a 1-bit DAC modulator with a sampling frequency of AMCLK. The modulator can either be considered as a five-level output at DMCLK rate or a 1-bit output at AMCLK rate. These two representations are interchangeable. The MDAT0 output can therefore be used in any application that requires 1-bit modulator outputs. Such applications will often integrate and filter the 1-bit output with sinc or more complex decimation filters computed by a MCU or a DSP.

TABLE 5-3: DELTA-SIGMA MODULATOR CODING

Comp<3:0> Code	Modulator Output Code	MDAT Serial Stream
1111	+2	1111
0111	+1	0111
0011	0	0011
0001	-1	0001
0000	-2	0000

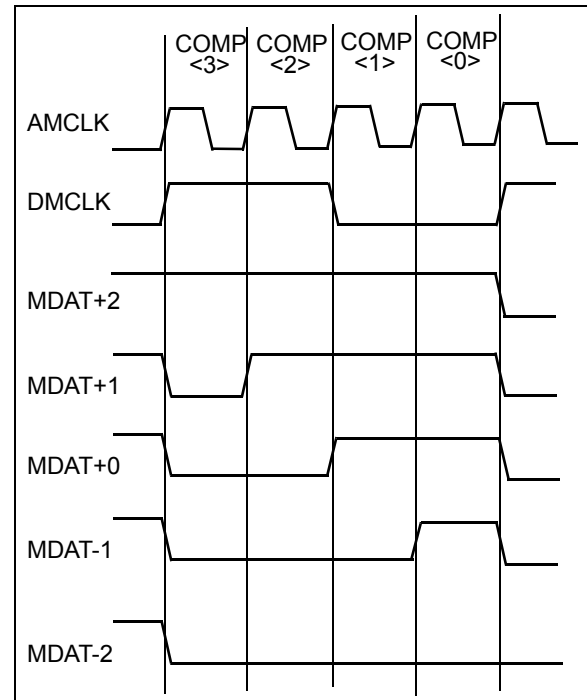


FIGURE 5-2: MDAT0 Serial Output with Respect to the Modulator Output Code.

Since the Reset and Shutdown SPI commands are asynchronous, the MDAT0 pin is resynchronized with DMCLK after each time the part goes out of reset and shutdown.

This means that, after a soft reset or a shutdown, the first output of MDAT0 is always 0011 after the first DMCLK rising edge.

The MDAT0 output pin is high-impedance if the \overline{RESET} pin is low and in 2-wire interface mode.

MCP3918

5.4 SINC³ + SINC¹ Filter

The decimation filter present in the MCP3918 is a cascade of two sinc filters (SINC³ + SINC¹): a third-order sinc filter with a decimation ratio of OSR₃, followed by a first-order sinc filter with a decimation ratio of OSR₁ (moving average of OSR₁ values). Figure 5-3 represents the decimation filter architecture.

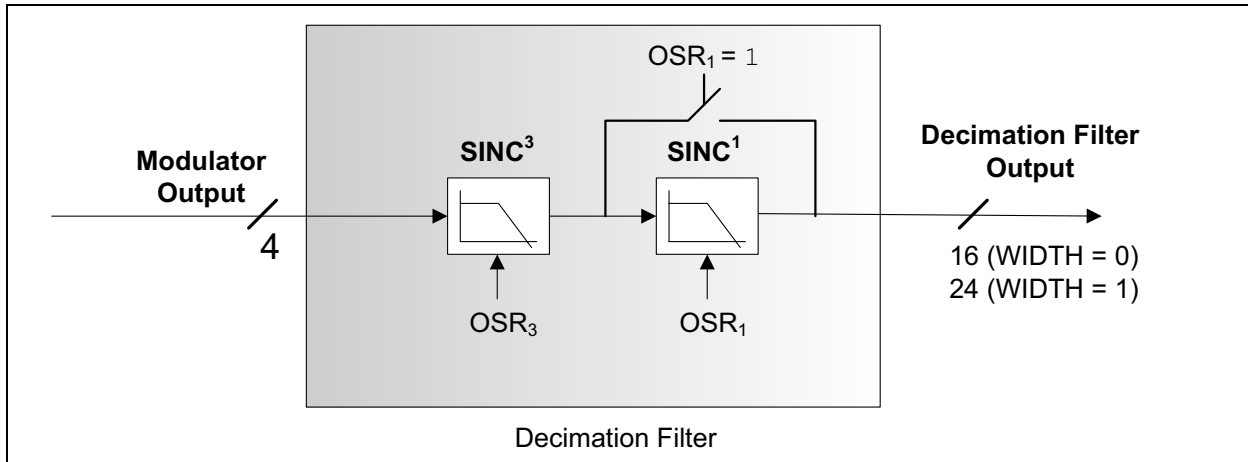


FIGURE 5-3: MCP3918 Decimation Filter Block Diagram.

Equation 5-1 calculates the filter z-domain transfer function.

EQUATION 5-1: SINC FILTER TRANSFER FUNCTION

$$H(z) = \frac{(1 - z^{-OSR_3})^3}{(OSR_3(1 - z^{-1}))^3} \times \frac{(1 - z^{-OSR_1 \times OSR_3})}{OSR_1 \times (1 - z^{-OSR_3})}$$

Where $z = EXP((2\pi \cdot j \cdot f_{in}) / (DMCLK))$

Equation 5-2 calculates the settling time of the ADC as a function of DMCLK periods.

EQUATION 5-2:

$$SettlingTime(DMCLKperiods) = 3 \times OSR_3 + (OSR_1 - 1) \times OSR_3$$

The SINC¹ filter following the SINC³ filter is only enabled for the high OSR settings. This SINC¹ filter provides additional rejection at a low cost with little modification to the -3 dB bandwidth. The resolution (number of significant bits) of the digital filter is 24-bit maximum for any OSR and data format choice. The resolution depends only on the OSR<2:0> settings in the CONFIG0 register per Table 5-4. Once the OSR is chosen, the resolution is fixed and the output code respects the data format defined by the WIDTH_DATA<1:0> setting in the STATUSCOM register (see Section 5.5 “ADC Output Coding”).

The gain of the transfer function of this filter is 1 at each multiple of DMCLK (typically 1 MHz), so a proper anti-aliasing filter must be placed at the inputs. This will attenuate the frequency content around DMCLK and

keep the desired accuracy over the baseband of the converter. This anti-aliasing filter can be a simple, first-order RC network, with a sufficiently low time constant to generate high rejection at the DMCLK frequency.

Any unsettled data is automatically discarded to avoid data corruption. Each Data Ready pulse corresponds to fully settled data at the output of the decimation filter. The first data available at the output of the decimation filter is present after the complete settling time of the filter (see Table 5-4). After the first data has been processed, the delay between two Data Ready pulses is one DRCLK period. The data stream from input to output is delayed by an amount equal to the settling time of the filter (which is the group delay of the filter).

The resolution achievable, the -3 dB bandwidth and the settling time at the output of the decimation filter (the output of the ADC) are dependent on the OSR of each sinc filter and are summarized in Table 5-4.

TABLE 5-4: OVERSAMPLING RATIO AND SINC FILTER SETTLING TIME

OSR<2:0>			OSR ₃	OSR ₁	Total OSR	Resolution in Bits (No Missing Code)	Settling Time	-3 dB Bandwidth
0	0	0	32	1	32	17	96/DMCLK	0.26*DRCLK
0	0	1	64	1	64	20	192/DMCLK	0.26*DRCLK
0	1	0	128	1	128	23	384/DMCLK	0.26*DRCLK
0	1	1	256	1	256	24	768/DMCLK	0.26*DRCLK
1	0	0	512	1	512	24	1536/DMCLK	0.26*DRCLK
1	0	1	512	2	1024	24	2048/DMCLK	0.37*DRCLK
1	1	0	512	4	2048	24	3072/DMCLK	0.42*DRCLK
1	1	1	512	8	4096	24	5120/DMCLK	0.43*DRCLK

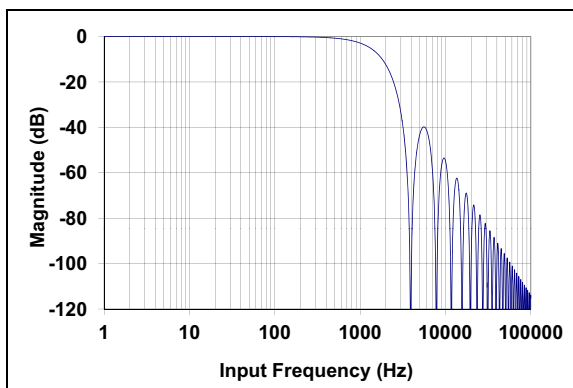


FIGURE 5-4: Sinc Filter Frequency Response, OSR = 256, MCLK = 4 MHz, PRE<1:0> = 00.

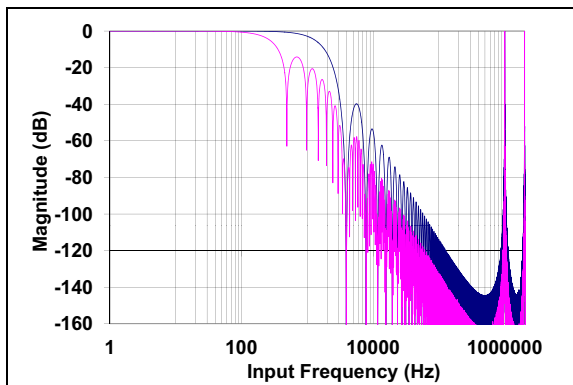


FIGURE 5-5: Sinc Filter Frequency Response, OSR = 4096 (in pink), OSR = 512 (in blue), MCLK = 4 MHz, PRE<1:0> = 00.

5.5 ADC Output Coding

The second-order modulator, SINC³+SINC¹ filter, PGA, V_{REF} and the analog input structure all work together to produce the device transfer function for the analog-to-digital conversion (see Equation 5-3).

The output data is calculated on 24-bit (23-bit plus sign) and coded in two's complement format, MSB first. The output format can then be modified by the WIDTH_DATA<1:0> settings in the STATUSCOM register to allow 16-, 24- or 32-bit formats compatibility (see Section 9.5 "STATUSCOM Register - Status and Communication Register" for more information).

In case of positive saturation (CH0+ – CH0- > V_{REF}/1.5), the output code is locked to 7FFFFFF for 24-bit mode. In case of negative saturation (CH0+ - CH0- < -V_{REF}/1.5), the output code is locked to 800000 for 24-bit mode.

Equation 5-3 is only true for DC inputs. For AC inputs, this transfer function needs to be multiplied by the transfer function of the SINC³+SINC¹ filter (see Equations 5-1 and 5-3).

EQUATION 5-3:

$$DATA_CHO = \left(\frac{CH_{n+} - CH_{n-}}{V_{REF+} - V_{REF-}} \right) \times 8,388,608 \times G \times 1.5$$

For 24-bit Mode, WIDTH_DATA<1:0> = 01 (Default)

For data formats other than the default 24-bit format, Equation 5-3 should be multiplied by a scaling factor, depending on the data format used (defined by WIDTH_DATA<1:0>). The data format and the associated scaling factors are given in Figure 5-6.

MCP3918

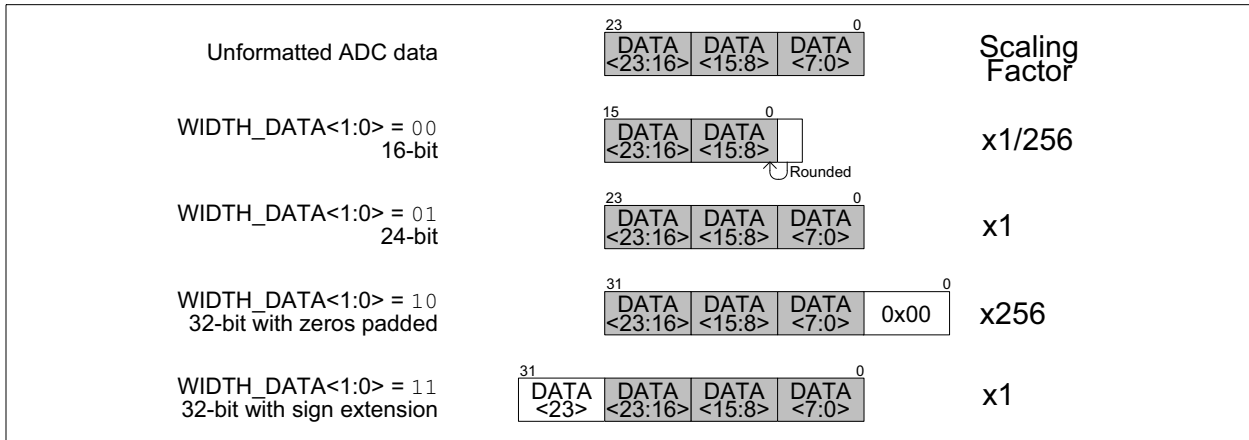


FIGURE 5-6: Output Data Formats.

The ADC resolution is a function of the OSR (Section 5.4 “SINC³ + SINC¹ Filter”). The resolution is the same for all channels. No matter what the resolution is, the ADC output data is always calculated in 24-bit words, with added zeros at the end if the OSR is not large enough to produce 24-bit resolution (left justification).

TABLE 5-5: OSR = 256 (AND HIGHER) OUTPUT CODE EXAMPLES

ADC Output Code (MSB First)	Hexadecimal	Decimal, 24-bit Resolution
0 1	0x7FFFFFFF	+ 8,388,607
0 1 0	0x7FFFFFFE	+ 8,388,606
0 0	0x000000	0
1 1	0xFFFFFFFF	-1
1 0 1	0x800001	- 8,388,607
1 0	0x800000	- 8,388,608

TABLE 5-6: OSR = 128 OUTPUT CODE EXAMPLES

ADC Output Code (MSB First)	Hexadecimal	Decimal, 23-bit Resolution
0 1 1 1 1 1 1 1 1 1 1 1 1 1 1 1 1 1 1 0	0x7FFFFFFE	+ 4,194,303
0 1 1 1 1 1 1 1 1 1 1 1 1 1 1 1 1 1 1 0	0x7FFFFFFC	+ 4,194,302
0 0 0 0 0 0 0 0 0 0 0 0 0 0 0 0 0 0 0 0	0x000000	0
1 1 1 1 1 1 1 1 1 1 1 1 1 1 1 1 1 1 1 0	0xFFFFFFFF	-1
1 0 0 0 0 0 0 0 0 0 0 0 0 0 0 0 0 0 1 0	0x800002	- 4,194,303
1 0 0 0 0 0 0 0 0 0 0 0 0 0 0 0 0 0 0 0	0x800000	- 4,194,304

TABLE 5-7: OSR = 64 OUTPUT CODE EXAMPLES

ADC Output Code (MSB First)	Hexadecimal	Decimal, 20-bit Resolution
0 1 1 1 1 1 1 1 1 1 1 1 1 1 1 1 0 0 0 0	0x7FFFF0	+ 524, 287
0 1 1 1 1 1 1 1 1 1 1 1 1 1 1 1 0 0 0 0	0x7FFFFE0	+ 524, 286
0 0 0 0 0 0 0 0 0 0 0 0 0 0 0 0 0 0 0 0	0x000000	0
1 1 1 1 1 1 1 1 1 1 1 1 1 1 1 1 0 0 0 0	0xFFFFF0	-1
1 0 0 0 0 0 0 0 0 0 0 0 0 0 0 1 0 0 0 0	0x800010	- 524,287
1 0 0 0 0 0 0 0 0 0 0 0 0 0 0 0 0 0 0 0	0x800000	- 524, 288

TABLE 5-8: OSR = 32 OUTPUT CODE EXAMPLES

ADC Output Code (MSB First)	Hexadecimal	Decimal, 17-bit Resolution
0 1 1 1 1 1 1 1 1 1 0 0 0 0 0 0 0	0x7FFF80	+ 65, 535
0 1 1 1 1 1 1 1 1 1 0 0 0 0 0 0 0	0x7FFF00	+ 65, 534
0 0 0 0 0 0 0 0 0 0 0 0 0 0 0 0 0	0x000000	0
1 1 1 1 1 1 1 1 1 1 1 0 0 0 0 0 0	0xFFFF80	-1
1 0 0 0 0 0 0 0 0 0 0 1 0 0 0 0 0	0x800080	- 65,535
1 0 0 0 0 0 0 0 0 0 0 0 0 0 0 0 0	0x800000	- 65, 536

5.6 Voltage Reference

5.6.1 INTERNAL VOLTAGE REFERENCE

The MCP3918 contains an internal voltage reference source specially designed to minimize drift over temperature. In order to enable the internal voltage reference, the VREFEXT bit in the CONFIG1 register must be set to '0' (default mode). This internal V_{REF} supplies reference voltage to all channels. The typical value of this voltage reference is $1.2V \pm 2\%$. The internal reference has a very low typical temperature coefficient of $\pm 7 \text{ ppm}/^\circ\text{C}$, allowing the output to have minimal variation, with respect to temperature, since they are proportional to $(1/V_{REF})$.

The noise of the internal voltage reference is low enough not to significantly degrade the SNR of the ADC, if compared to a precision external low-noise voltage reference. The output pin for the internal voltage reference is REFIN+/OUT.

If the voltage reference is only used as an internal V_{REF} , adding bypass capacitance on REFIN+/OUT is not necessary for keeping ADC accuracy, but a minimal $0.1 \mu\text{F}$ ceramic capacitance can be connected to avoid EMI/EMC susceptibility issues due to the antenna created by the REFIN+/OUT pin, if left floating.

The bypass capacitors also help in applications where the voltage reference output is connected to other circuits. In this case, additional buffering may be needed, since the output drive capability of this output is low.

Adding too much capacitance on the REFIN+/OUT pin may slightly degrade the THD performance of the ADC.

5.6.2 DIFFERENTIAL EXTERNAL VOLTAGE INPUTS

When the VREFEXT bit is set to '1', the two reference pins (REFIN+/OUT, REFIN-) become a differential voltage reference input. The voltage at the REFIN+/OUT is noted V_{REF+} , and the voltage at the REFIN- pin is noted V_{REF-} . The differential voltage input value is given by Equation 5-4.

EQUATION 5-4:

$$V_{REF} = V_{REF+} - V_{REF-}$$

The specified V_{REF} ranges from 1.1V to 1.3V. The REFIN- pin voltage (V_{REF-}) should be limited to $\pm 0.1V$, with respect to A_{GND} . Typically, for single-ended reference applications, the REFIN- pin should be directly connected to A_{GND} , with its own separate track to avoid any spike due to switching noise.

5.6.3 TEMPERATURE COMPENSATION (VREFCAL<7:0>)

The internal voltage reference consists of a proprietary circuit and algorithm to compensate for first-order and second-order temperature coefficients. The compensation enables very low temperature coefficients (typically $9 \text{ ppm}/^\circ\text{C}$) on the entire range of temperatures, from -40°C to $+125^\circ\text{C}$. This temperature coefficient varies from part to part.

This temperature coefficient can be adjusted on each part through the VREFCAL<7:0> bits present in the CONFIG0 register (bits 7 to 0). These register settings are only for advanced users. The VREFCAL<7:0> bits should not be modified unless the user wants to calibrate the temperature coefficient of the whole system or application. The default value of this register is set to 0x50. The default value (0x50) was chosen to optimize the standard deviation of the tempco across process variation. The value can be slightly improved to around $7 \text{ ppm}/^\circ\text{C}$ if the VREFCAL<7:0> bits are written at 0x42, but this setting degrades the standard deviation of the VREF tempco. The typical variation of the temperature coefficient of the internal voltage reference with respect to the VREFCAL register code is given by Figure 5-6. Modifying the value stored in the VREFCAL<7:0> bits may also vary the voltage reference, in addition to the temperature coefficient.

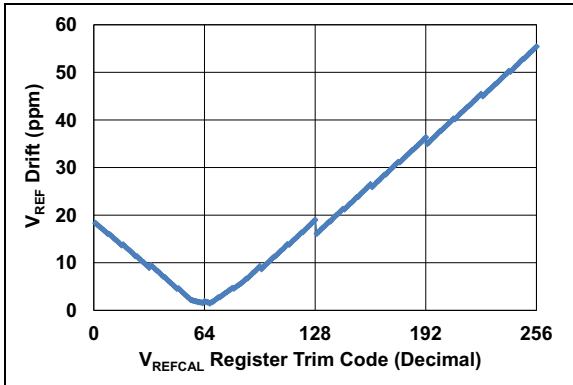


FIGURE 5-7: *V_{REF} Tempco vs. V_{REFCAL} Trim Code Chart.*

5.6.4 VOLTAGE REFERENCE BUFFER

The MCP3918 ADC includes a voltage reference buffer tied to the REFIN+/OUT pin, which allows the device to properly charge the internal capacitors with the voltage reference signals, even in the case of an external voltage reference connection with weak load regulation specifications. This ensures that the correct amount of current is sourced to each channel to guarantee their accuracy specifications, and diminishes the constraints on the voltage reference load regulation.

5.7 Power-on Reset

The MCP3918 contains an internal POR circuit that monitors both analog and digital supply voltages during operation. The typical threshold for a power-up event detection is $2.0V \pm 5\%$ and a typical start-up time (t_{POR}) of $50 \mu s$. The POR circuit has a built-in hysteresis for improved transient spike immunity that has a typical value of 200 mV. Proper decoupling capacitors ($0.1 \mu F$ ceramic and $10 \mu F$) should be mounted as close as possible to the AV_{DD} and DV_{DD} pins, providing additional transient immunity.

Figure 5-8 illustrates the different conditions at a power-up and a power-down event under typical conditions. All internal DC biases are settled at least 1 ms after system POR, under worst-case conditions. In order to ensure proper accuracy, any Data Ready pulse occurring within 1 ms plus the sinc filter settling time after system reset should be ignored. After POR, Data Ready pulses are present at the pin with all the default conditions in the configuration registers.

Both AV_{DD} and DV_{DD} are monitored, so either power supply can sequence first.

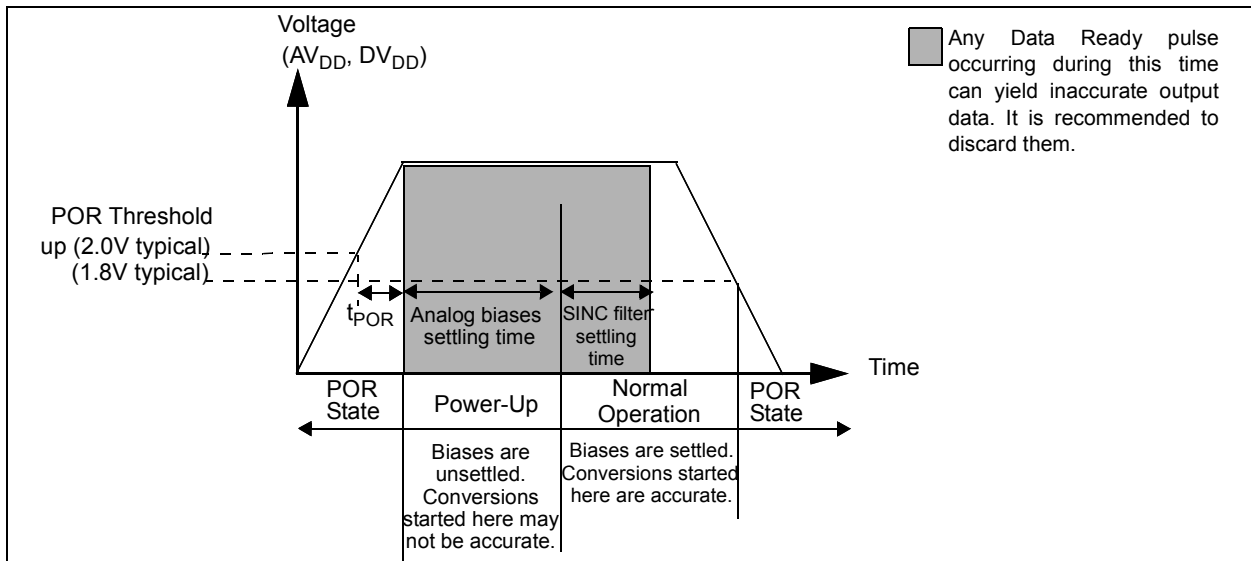


FIGURE 5-8: *Power-On Reset Operation.*

5.8 Hard Reset Effect on Delta-Sigma Modulator/Sinc Filter

In SPI mode, when the $\overline{\text{RESET}}$ pin is logic low, the ADC will be in Reset and the output code is 0x0000h. The $\overline{\text{RESET}}$ pin performs a hard reset (DC biases are still on, part is ready to convert) and clears all charges contained in the delta-sigma modulator. The comparator's output is '0011' for the ADC.

The sinc filter is reset, as well as its double output buffers. This pin is independent of the serial interface. It brings all the registers to the default state. When $\overline{\text{RESET}}$ is logic low, any write with the SPI interface will be disabled and will have no effect. All output pins (SDO, DR) are high-impedance.

If MCLK is applied, the input structure is enabled and is properly biasing the substrate of the input transistors. In this case, the leakage current on the analog inputs is low if the analog input voltages are kept between -1V and +1V.

If MCLK is not applied when in Reset mode, the leakage can be high if the analog inputs are below -0.6V, as referred to A_{GND} .

5.9 Phase Delay Block

The MCP3918 incorporates a phase delay generator which ensures the ADC (CH0) converts the inputs after a fixed delay, as determined by the PHASE register setting.

The PHASE register contains a 12-bit bank that represents group delay of the ADC channel (in addition to the settling time of the sinc filter) expressed in DMCLK periods with an offset of OSR/2 periods. It is coded with a 11-bit plus sign, MSB-first two's complement code. This code indicates how many DMCLK periods are induced as a delay (see Equation 5-5).

EQUATION 5-5:

$$\text{Total Delay} = \frac{\text{PHASE}\langle 11:0 \rangle \text{ Decimal Code} + \frac{\text{OSR}}{2}}{\text{DMCLK}}$$

The timing resolution of the phase delay is 1/DMCLK or 1 μs in the default configuration with MCLK = 4 MHz.

Given the definition of DMCLK, the phase delay is affected by a change in the prescaler settings (PRE<1:0>) and the MCLK frequency. The Data Ready signal is affected by the phase delay settings.

5.9.1 PHASE DELAY LIMITS

The limits of the phase delays are determined by the OSR settings: the phase delays can only go from 0 to +(OSR-1) DMCLK periods when taking the last reset as a reference (same definition as MCP391X but not showing an odd channel reference here since there is only one channel).

If larger delays are needed, they can be implemented externally to the chip with an MCU. A FIFO in the MCU can save incoming data from the ADC channel for a number N of DRCLK clocks. In this case, DRCLK would represent the coarse timing resolution, and DMCLK the fine timing resolution. The total delay will then be equal to:

EQUATION 5-6:

$$\text{Total Delay} = N/\text{DRCLK} + \text{OSR}/2/\text{DMCLK}$$

Note: Rewriting the PHASE register with the same value automatically resets and restarts the ADC.

The Phase delay register can be programmed once with the OSR = 4096 setting, and will automatically adjust the OSR afterwards, without the need to change the value of the PHASE register.

- **OSR = 4096:** The delay can go from 0 to +4095. PHASE<11> is the sign bit. Phase<10> is the MSB and PHASE<0> the LSB.
- **OSR = 2048:** The delay can go from 0 to +2047. PHASE<10> is the sign bit. Phase<9> is the MSB and PHASE<0> the LSB.
- **OSR = 1024:** The delay can go from 0 to +1023. PHASE<9> is the sign bit. Phase<8> is the MSB and PHASE<0> the LSB.
- **OSR = 512:** The delay can go from 0 to +511. PHASE<8> is the sign bit. Phase<7> is the MSB and PHASE<0> the LSB.
- **OSR = 256:** The delay can go from 0 to +255. PHASE<7> is the sign bit. Phase<6> is the MSB and PHASE<0> the LSB.
- **OSR = 128:** The delay can go from 0 to +127. PHASE<6> is the sign bit. Phase<5> is the MSB and PHASE<0> the LSB.
- **OSR = 64:** The delay can go from 0 to +63. PHASE<5> is the sign bit. Phase<4> is the MSB and PHASE<0> the LSB.
- **OSR = 32:** The delay can go from 0 to +31. PHASE<4> is the sign bit. Phase<3> is the MSB and PHASE<0> the LSB.

MCP3918

**TABLE 5-9: PHASE VALUES WITH
MCLK = 4 MHZ, OSR = 4096,
PRE<1:0> = 00**

PHASE<11:0>	Hex	Delay
0 1 1 1 1 1 1 1 1 1 1 1	0x7FF	4095 μs
0 1 1 1 1 1 1 1 1 1 1 0	0x7FE	4094 μs
0 0 0 0 0 0 0 0 0 0 0 1	0x001	2049 μs
0 0 0 0 0 0 0 0 0 0 0 0	0x000	2048 μs
1 1 1 1 1 1 1 1 1 1 1 1	0xFFFF	2047 μs
1 0 0 0 0 0 0 0 0 0 0 1	0x801	1 μs
1 0 0 0 0 0 0 0 0 0 0 0	0x800	0 μs

5.10 Data Ready Status Bit

In addition to the \overline{DR} pin indicator, the MCP3918 device includes a separate Data Ready status bit. The ADC channel is associated to the corresponding DRSTATUS bit that can be read at all times in the STATUSCOM register. This status bit can be used to synchronize the data retrieval, in case the \overline{DR} pin is not connected (see [Section 6.8 “ADC Channel Latching and Synchronization”](#)).

The DRSTATUS bit is not writable; writing on it has no effect. It has a default value of '1', which indicates that the data of the corresponding ADC is not ready. This means that the ADC output register has not been updated since the last reading (or since the last reset). The DRSTATUS bit takes the '0' state, once the ADC channel register is updated (which happens at a DRCLK rate). A simple read of the STATUSCOM register clears the DRSTATUS bit to its default value ('1').

5.11 Crystal Oscillator

The MCP3918 includes a Pierce-type crystal oscillator with very high stability and ensures very low tempco and jitter for the clock generation. This oscillator can handle crystal frequencies up to 20 MHz, provided that proper load capacitances and quartz quality factor are used. The crystal oscillator is enabled when CLKEXT = 0 in the CONFIG1 register, therefore it cannot be enabled during the 2-Wire Interface mode. It is only selectable in the SPI Mode.

For a proper start-up, the load capacitors of the crystal should be connected between OSC1 and D_{GND} and between OSC2 and D_{GND}. They should also respect [Equation 5-7](#).

EQUATION 5-7:

$$R_M < 1.6 \times 10^6 \times \left(\frac{1}{f \times C_{LOAD}} \right)^2$$

Where:

f = crystal frequency in MHz

C_{LOAD} = load capacitance in pF, including parasitics from the PCB

R_M = motional resistance of the quartz, in ohms

When CLKEXT = 1, the crystal oscillator is bypassed by a digital buffer, to allow direct clock input for an external clock (see [Figure 4-1](#)). In this case, OSC2 becomes the MODE select input pin for the Interface mode. When MODE = 0, the digital interface stays in SPI mode; when MODE = 1, the digital interface toggles to the 2-Wire mode. A pull-down current forces the MODE to be logic low (SPI mode) by default if the OSC2 pin is floating.

For proper operation, the external clock should not be higher than 20 MHz before prescaling (MCLK < 20 MHz).

Note: In addition to the conditions defining the maximum MCLK input frequency range, the AMCLK frequency should be maintained inferior to the maximum limits defined in [Table 5-2](#), to ensure the accuracy of the ADC. If these limits are exceeded, it is recommended to choose either a larger OSR or a larger prescaler value so that AMCLK can respect these limits.

5.12 Digital System Offset and Gain Errors

The MCP3918 incorporates two sets of additional registers to perform system digital offset and gain error calibration, which will modify the output result of the channel, if calibration is enabled. The gain and offset calibrations can be enabled or disabled through two configuration bits (EN_OFFCAL and EN_GAINCAL). When both calibrations are enabled, the output of the ADC is modified per Equation 5-8. These calibrations are not effective in 2-Wire interface mode.

EQUATION 5-8: DIGITAL OFFSET AND GAIN ERROR CALIBRATION REGISTERS CALCULATIONS

$$DATA_CH0(post - cal) = (DATA_CH0(pre - cal) + OFFCAL_CH0) \times (1 + GAINCAL_CH0)$$

5.12.1 DIGITAL OFFSET ERROR CALIBRATION

The OFFCAL_CH0 register is 23-bit plus sign two's complement registers, whose LSB value is the same as the Channel ADC Data. This register is then added bit by bit to the ADC output codes, if the EN_OFFCAL bit is enabled. Enabling the EN_OFFCAL bit does not create a pipeline delay; the offset addition is instantaneous. For low OSR values, only the significant digits are added to the output (up to the resolution of the ADC; for example, at OSR = 32, only the first 17 bits are added).

The offset is not added when the corresponding channel is in Reset or Shutdown mode. The corresponding input voltage offset value added by each LSB in these 24-bit registers is:

EQUATION 5-9:

$$OFFSET(1LSB) = V_{REF} / (PGA_CHn \times 1.5 \times 8388608)$$

This register is a "Don't Care" if EN_OFFCAL = 0 (offset calibration disabled), but its value is not cleared by the EN_OFFCAL bit.

5.12.2 DIGITAL GAIN ERROR CALIBRATION

This register is a signed 24-bit MSB – first register coded with a range of $-1x$ to $+(1 - 2^{-23})x$ (from 0x800000 to 0x7FFFFFFF). The gain calibration adds 1x to this register and multiplies it to the output code of the channel bit by bit, after offset calibration. Thus, the gain calibration ranges from 0x to 1.9999999x (from 0x800000 to 0x7FFFFFFF). The LSB corresponds to a 2^{-23} increment in the multiplier.

Enabling EN_GAINCAL creates a pipeline delay of 24 DMCLK periods on all channels. All Data Ready pulses are delayed by 24 DMCLK periods, starting from data ready pulse following the command enabling EN_GAINCAL bit. The gain calibration is effective on the next data ready pulse following the command enabling EN_GAINCAL bit.

The digital gain calibration does not function when the corresponding channel is in Reset or Shutdown mode. The gain multiplier value for an LSB in this 24-bit register is:

EQUATION 5-10:

$$GAIN(1LSB) = 1/8388608$$

This register is a "Don't Care" if EN_GAINCAL = 0 (offset calibration disabled), but its value is not cleared by the EN_GAINCAL bit.

The output data is kept to either 7FFF or 8000 (16-bit mode) or 7FFFFFFF or 800000 (24-bit mode) if the output results are out of bounds after all calibrations are performed.

MCP3918

NOTES:

6.0 SPI SERIAL INTERFACE DESCRIPTION

6.1 Overview

The MCP3918 device includes a four-wire (\overline{CS} , SCK, SDI, SDO) digital serial interface that is compatible with SPI Modes 0,0 and 1,1. Data is clocked out of the MCP3918 on the falling edge of SCK, and data is clocked into the MCP3918 on the rising edge of SCK. In these modes, the SCK clock can idle either high (1,1) or low (0,0). The digital interface is asynchronous with the MCLK clock that controls the ADC sampling and digital filtering. All the digital input pins are Schmitt-triggered to avoid system noise perturbations on the communications.

Each independent SPI communication starts with a \overline{CS} falling edge and stops with the \overline{CS} rising edge. When CS is logic high, SDO is in high-impedance, there are transitions on SCK, and SDI has no effect. Changing from an SPI Mode 1,1 to an SPI Mode 0,0 and vice versa is possible and can be done while the \overline{CS} pin is logic high. Any \overline{CS} rising edge clears the communication and resets the SPI digital interface.

Additional control pins (\overline{RESET} , \overline{DR}) are also provided on separate pins for advanced communication features. The Data Ready pin (\overline{DR}) outputs pulses when a new ADC channel data is available for reading, which can be used as an interrupt for an MCU. The master reset pin (\overline{RESET}) acts like a hard reset and can reset the part to its default power-up configuration (equivalent to a POR state).

The MCP3918 interface has a simple command structure. Every command is either a Read command from a register or a Write command to a register. The MCP3918 device includes nine registers defined in the register map in [Table 9-1](#). The register map is fully compatible with the MCP391X family to allow easy porting of MCU code from one design to another inside the MCP391X family. The first byte (8-bit wide) transmitted is always the Control byte that defines the address of the register and the type of command (Read or Write). It is followed by the register itself, which can be in a 16-, 24- or 32-bit format, depending on the multiple format settings defined in the STATUSCOM register. The MCP3918 is compatible with multiple formats that help reduce overhead in the data handling for most MCUs and processors available on the market (8-, 16- or 32-bit MCUs) and improve MCU-code compaction and efficiency.

The MCP3918 digital interface is capable of handling various continuous read and write modes, which allow the device to perform ADC data streaming or full register map writing within only one communication (and therefore with only one unique Control byte). The internal registers can be grouped together with various configurations through the READ<1:0> and WRITE bits. The internal address counter of the serial interface can be automatically incremented with no additional Control byte needed, in order to loop through the various groups of registers within the register map. The groups are defined in [Table 9-2](#).

The MCP3918 device also includes advanced security features to secure each communication, to avoid processing unwanted write commands in order to change the desired configuration, and to alert the user in case of a change in the desired configuration.

Each SPI read communication can be secured through a selectable CRC-16 checksum provided on the SDO pin at the end of every communication sequence. This CRC-16 computation is compatible with the DMA CRC hardware of the PIC24 and PIC32 MCUs, resulting in no additional overhead for added security.

In order to secure the entire configuration of the device, the MCP3918 includes an 8-bit lock code (LOCK<7:0>), which blocks all write commands to the full register map if the value of the LOCK<7:0> is not equal to a defined password (0xA5). The user can protect its configuration by changing the LOCK<7:0> value to 0x00 after the full programming, so that no unwanted write command will result in a change in the configuration (because LOCK<7:0> is different from the 0xA5 password).

An additional CRC-16 calculation is also running continuously in the background to ensure the integrity of the full register map. All writable registers of the register map (except for the MOD register) are processed through a CRC-16 calculation engine and give a CRC-16 checksum that depends on the configuration. This checksum is readable on the LOCK/CRC register and updated at all times. If a change in this checksum occurs, a selectable interrupt can give a flag on the \overline{DR} pin (the \overline{DR} pin becomes logic low) to warn the user that the configuration is corrupted.

MCP3918

6.2 Control Byte

The Control byte of the MCP3918 contains two device Address bits (A<6:5>), five register Address bits (A<4:0>) and a Read/Write bit (R/W). The first byte transmitted to the MCP3918 in any communication is always the Control byte. During the Control byte transfer, the SDO pin is always in a high-impedance state. The MCP3918 interface is device addressable (through A<6:5>), so that multiple chips can be present on the same SPI bus with no data bus contention, even if they use the same CS pin and a provided half-duplex SPI interface, with a different address identifier. This functionality enables, for example, a Serial EEPROM like 24AAXXX/24LCXXX or 24FCXXX. Moreover, it enables the MCP3918 to share all the SPI pins and to consume less I/O pins in the application processor, since all these Serial EEPROM circuits use A<6:5> = 00.

A<6>	A<5>	A<4>	A<3>	A<2>	A<1>	A<0>	R/W
Device Address		Register Address					Read/Write

FIGURE 6-1: Control Byte.

The default device address bits are A<6:5> = 01 (contact the Microchip factory for other available device address bits). For more information, see the [Product Identification System](#) section. The register map is defined in [Table 9-1](#).

6.3 Reading from the Device

The first register read on the SDO pin is the one defined by the address (A<4:0>) given in the Control byte. After this first register is fully transmitted, if the CS pin is maintained logic low, the communication continues without an additional Control byte and the SDO pin transmits another register with the address automatically incremented.

Four different read mode configurations can be defined through the READ<1:0> bits in the STATUSCOM register for the address increment (see [Section 6.5 “Continuous Communications, Looping on Register Sets”](#) and [Table 9-2](#)). The data on SDO is clocked out of the MCP3918 on the falling edge of SCK. The reading format for each register is defined in [Section 5.5 “ADC Output Coding”](#).

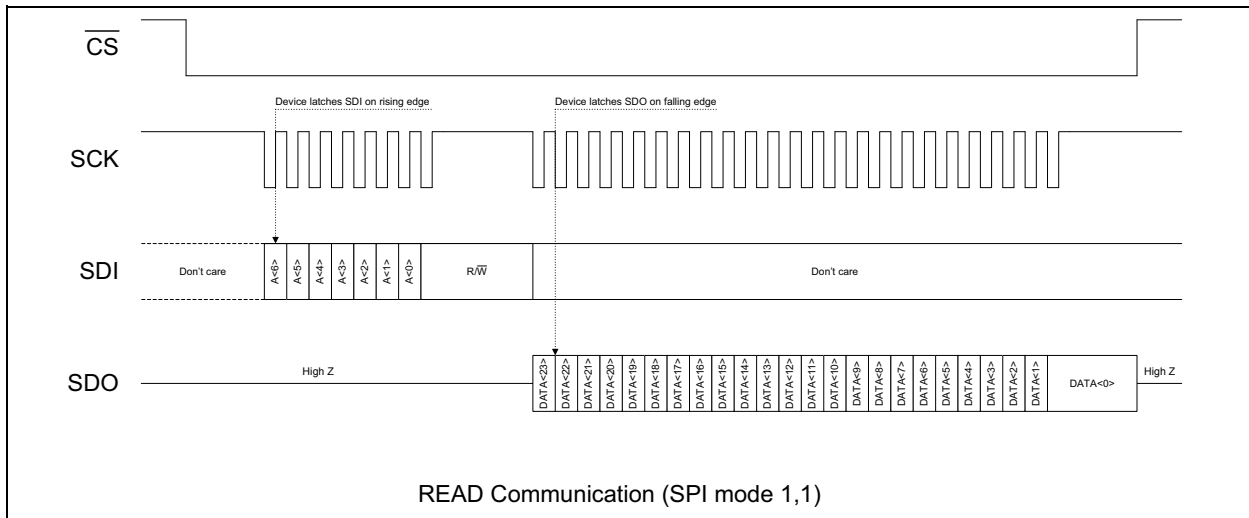


FIGURE 6-2: Read on a Single Register with 24-bit Format (WIDTH_DATA<1:0> = 01, SPI Mode 1,1).

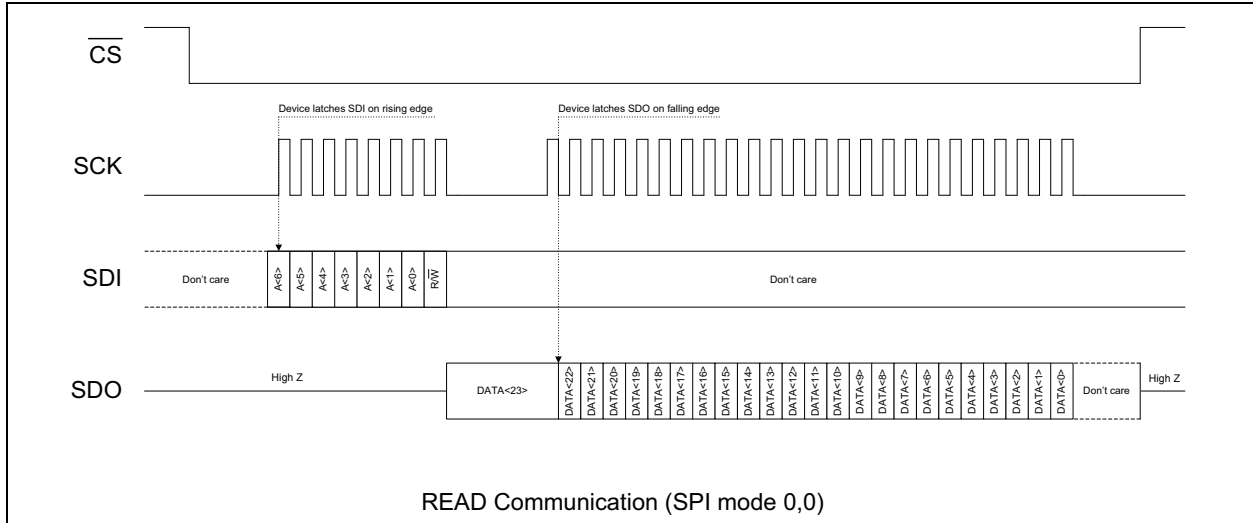


FIGURE 6-3: Read on a Single Register with 24-bit Format ($WIDTH_DATA<1:0> = 01$, SPI Mode 0,0).

6.4 Writing to the Device

The first register written from the SDI pin to the device is the one defined by the address (A<4:0>) given in the Control byte. After this first register is fully transmitted, if the \overline{CS} pin is maintained logic low, the communication continues without an additional Control byte and the SDI pin transmits another register with the address automatically incremented.

Two different write mode configurations for the address increment can be defined through the WRITE bit in the STATUSCOM register (see [Section 6.5 “Continuous Communications, Looping on Register Sets”](#) and [Table 9-2](#)). The SDO pin stays in a high-impedance state during a write communication. The data on SDI is clocked into the MCP3918 on the rising edge of SCK. The writing format for each register is defined in [Section 5.5 “ADC Output Coding”](#). A write on an undefined or non-writable address, such as the ADC channel register address, will have no effect nor will it increment the address counter.

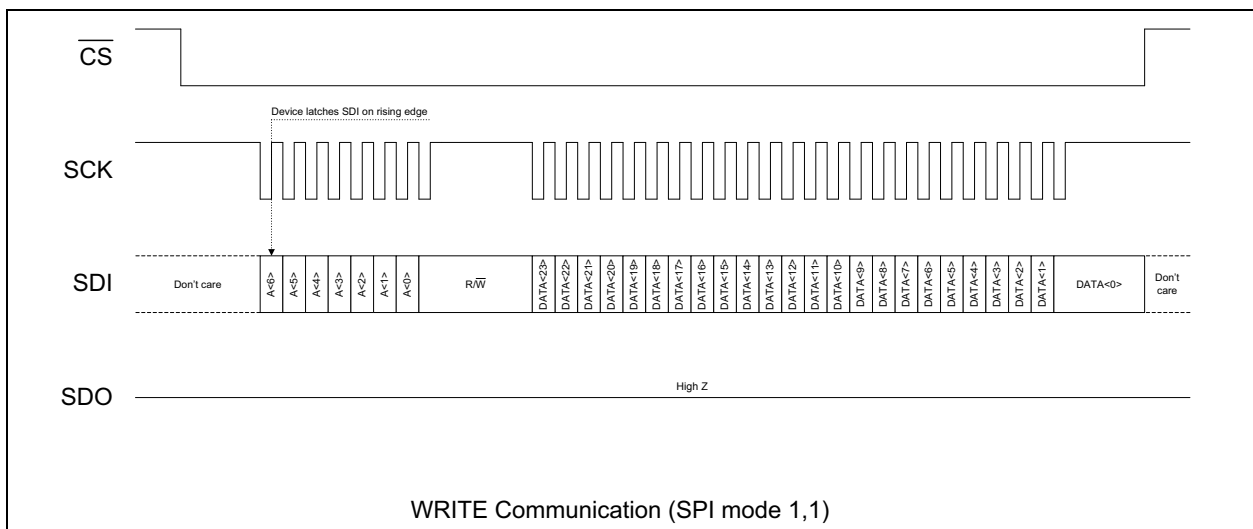


FIGURE 6-4: Write to a Single Register with 24-bit Format ($WIDTH_CRC = 0$, SPI Mode 1,1).

MCP3918

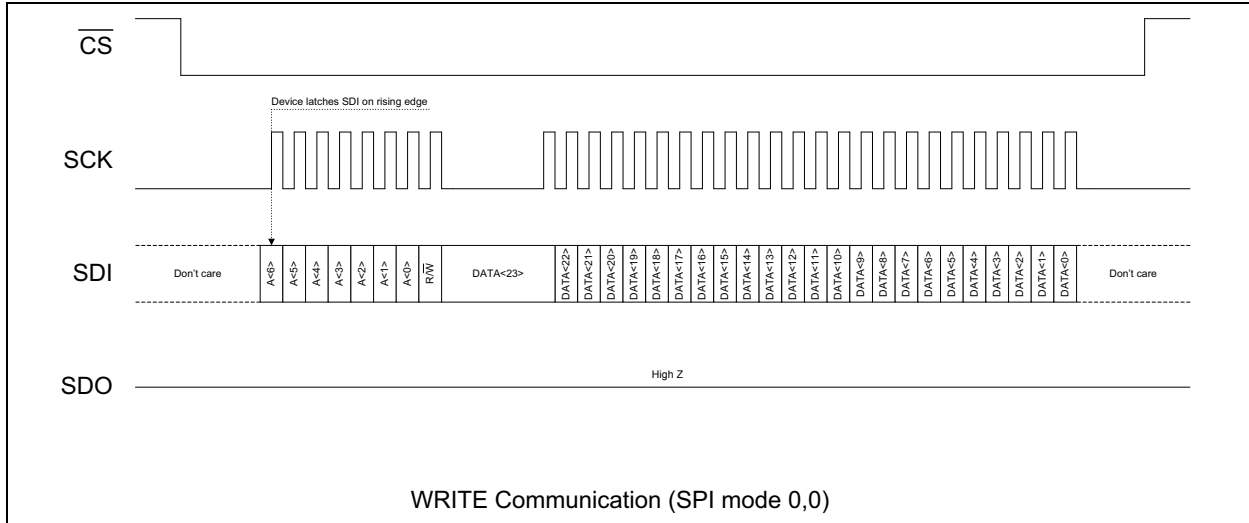


FIGURE 6-5: Write to a Single Register with 24-bit Format (*WIDTH_CRC = 0, SPI Mode 0,0*).

6.5 Continuous Communications, Looping on Register Sets

The MCP3918 digital interface can process communications in Continuous mode, without having to enter an SPI command between each read or write to a register. This feature allows the user to reduce communication overhead to the strict minimum, which diminishes EMI emissions and reduces switching noise in the system.

The registers can be grouped into multiple sets for continuous communications. The grouping of the registers in the different sets is defined by the READ<1:0> and WRITE bits that control the internal SPI communication address pointer. For a graphical representation of the register map sets in the function of the READ<1:0> and WRITE bits, please see [Table 9-2](#).

In the case of a continuous communication, there is only one Control byte on SDI to start the communication after a CS pin falling edge. The CS pin stays within the same communication loop until the CS

pin returns logic high. The SPI internal register address pointer starts by transmitting/receiving the address defined in the Control byte. After this first transmission/reception, the SPI internal register address pointer automatically increments to the next available address in the register set for each transmission/reception. When it reaches the last address in the set, the communication sequence is finished. The address pointer loops automatically back to the first address of the defined set and restarts a new sequence with auto-increment (see [Table 6-6](#)). The undefined or unused addresses are automatically jumped by the address pointer (they are not considered to be part of the register map by the address pointer). This internal address pointer automatic selection allows the following functionality:

- Read one ADC channel data continuously
- Continuously read the entire register map
- Continuously read or write each separate register
- Continuously read or write all configuration registers

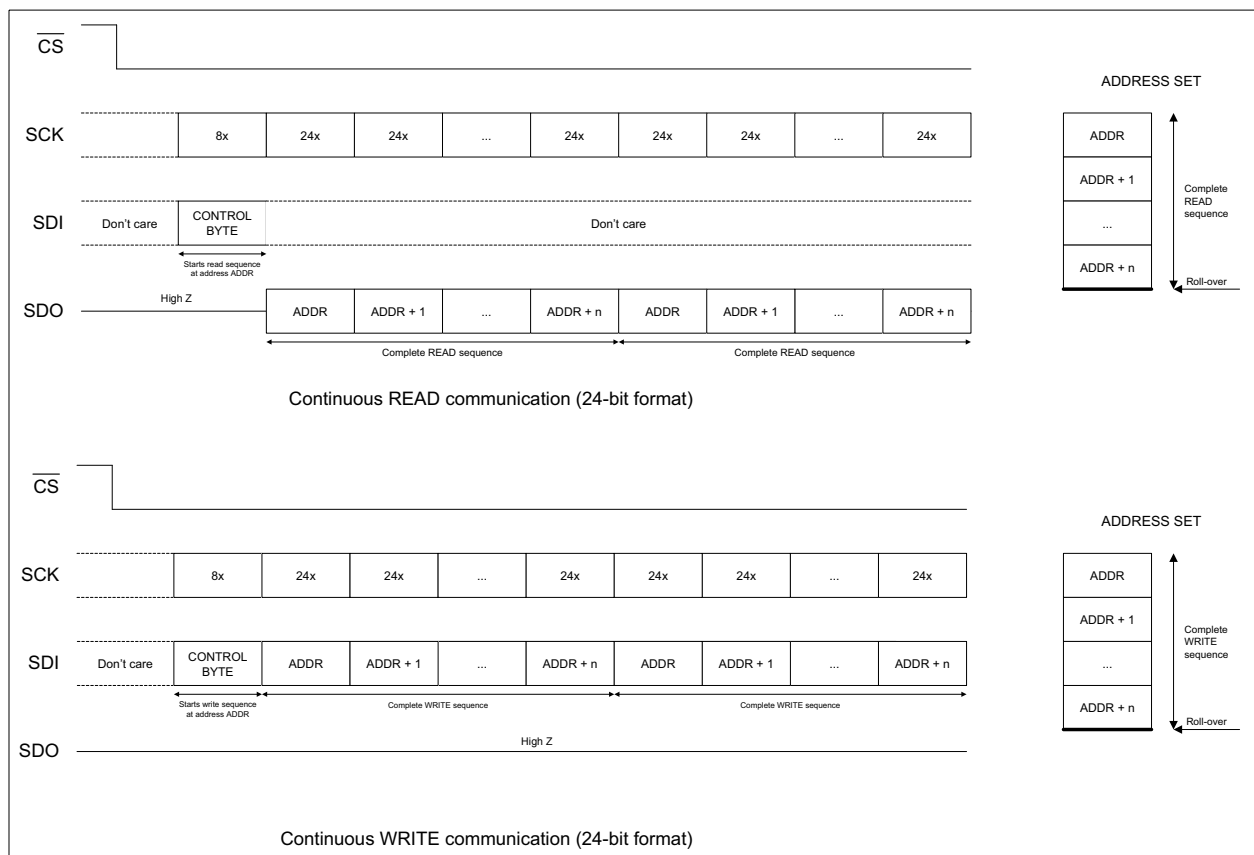


FIGURE 6-6: Continuous Communication Sequences.

MCP3918

6.5.1 CONTINUOUS READ

The STATUSCOM register contains the loop settings for the internal register address pointer (READ<1:0> bits and WRITE bit). For the Continuous Read modes, the address selection can take the four following values:

TABLE 6-1: ADDRESS SELECTION IN CONTINUOUS READ

READ<1:0>	Register Address Set Grouping for Continuous Read Communications
00	Static (No incrementation)
01	Groups
10	Types (Default)
11	Full Register Map

No SDI data coming after the Control byte is considered during a continuous read communication. The following figures represent a typical, continuous read communication with the default settings (READ<1:0> = 10, WIDTH_DATA<1:0> = 01) for SPI Mode 0,0 (Figure 6-7) and SPI Mode 1,1 (Figure 6-8).

Note: For continuous reading of ADC data in SPI Mode 0,0 (see Figure 6-7), once the data has been completely read after a data ready pulse, the SDO pin will take the MSB value of the previous data at the end of the reading (falling edge of the last SCK clock). If SCK stays idle at logic low (by definition of Mode 0,0), the SDO pin will be updated at the falling edge of the next Data Ready pulse (synchronously with the \overline{DR} pin falling edge with an output timing of t_{DODR}) with the new MSB of the data corresponding to the Data Ready pulse. This mechanism allows the MCP3918 to continuously read ADC data outputs seamlessly, even in SPI Mode (0,0).

In SPI Mode (1,1), the SDO pin stays in the last state (LSB of previous data) after a complete reading, which also allows seamless Continuous Read mode (see Figure 6-8).

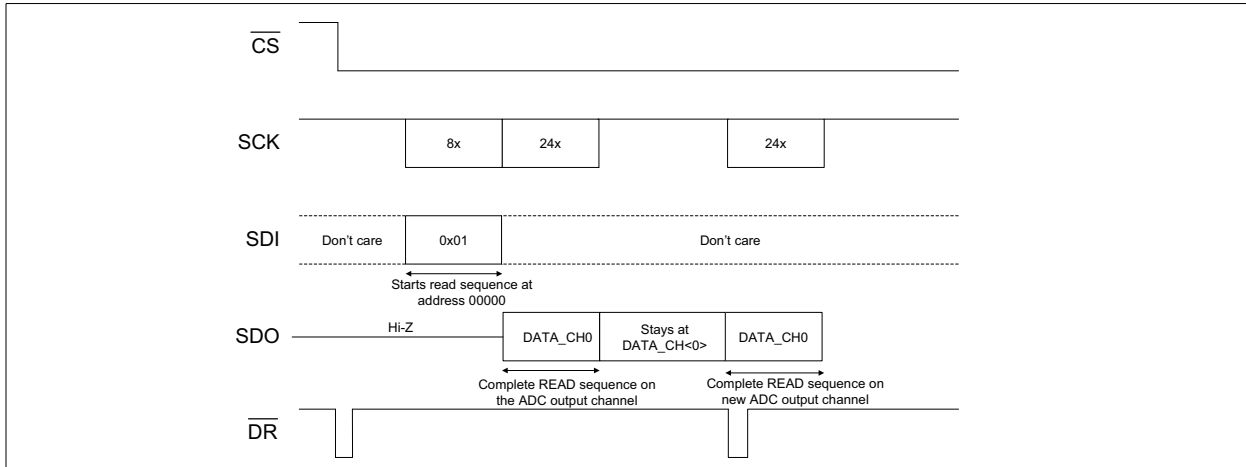


FIGURE 6-7: Typical Continuous Read Communication (WIDTH_DATA<1:0> = 01, SPI Mode 0,0).

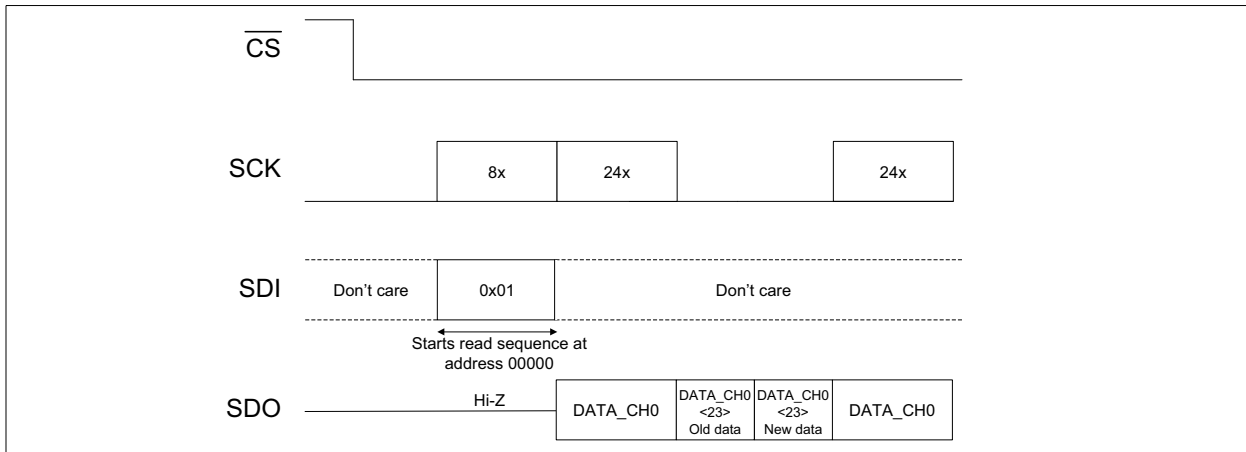


FIGURE 6-8: Typical Continuous Read Communication (WIDTH_DATA<1:0> = 01, SPI Mode 1,1).

6.5.2 CONTINUOUS WRITE

The STATUSCOM register contains the write loop settings for the internal register address pointer (WRITE). For the Continuous Write modes, the address selection can take the two following values:

TABLE 6-2: ADDRESS SELECTION IN CONTINUOUS WRITE

WRITE	Register Address Set Grouping for Continuous Write Communications
0	Static (No incrementation)
1	Types (Default)

SDO is always in a high-impedance state during a continuous write communication. Writing to a non-writable address (such as addresses 0x00 to 0x07 or any of the unused register's addresses) has no effect and does not increment the address pointer. In this case, the user needs to stop the communication and restart a communication with a Control byte pointing to a writable address (0x08 to 0x1F).

Note: When LOCK<7:0> is different from 0xA5, all the addresses, except for 0x1F, become non-writable (see [Section 6.10 “Locking/Unlocking Register Map Write Access”](#))

6.6 Situations that Reset and Restart Active ADC

Immediately after the following actions, the active ADC (the ones not in Soft Reset or Shutdown modes) is reset and automatically restarted in order to provide proper operation:

1. Change in PHASE register
2. Overwrite of the same PHASE register value
3. Change in the OSR<2:0> settings
4. Change in the PRE<1:0> settings
5. Change in the CLKEXT setting
6. Change in the VREFEXT setting

After these temporary resets, the ADC goes back to normal operation, with no need for an additional command. Each ADC data output register is cleared during this process. The PHASE register can be used to serially soft reset the ADC, without using the RESET bit in the CONFIG1 register, if the same value is written in the PHASE register.

6.7 Data Ready Pin (\overline{DR})

To communicate when channel data is ready for transmission, the Data Ready signal is available on the Data Ready (\overline{DR}) pin at the end of a conversion. The \overline{DR} pin outputs an active-low pulse with a pulse width equal to half a DMCLK clock period. After a Data Ready pulse falling edge has occurred, the ADC output data is updated within the t_{DODR} timing and can then be read through SPI communication.

The first Data Ready pulse after a Hard or a Soft Reset is located after the settling time of the sinc filter (see [Table 5-4](#)) plus the phase delay of the corresponding channel (see [Section 5.11 “Crystal Oscillator”](#)). Each subsequent pulse is then periodic, and the period is equal to a DRCLK clock period (see [Equation 4-3](#) and [Figure 1-3](#)). The Data Ready pulse is always synchronous with the internal DRCLK clock.

The \overline{DR} pin can be used as an interrupt pin when connected to an MCU or DSP, which will synchronize the readings of the ADC data outputs. When not active-low, this pin can be either in high-impedance (when $\overline{DR_HIZ} = 0$) or in a defined logic high state (when $\overline{DR_HIZ} = 1$). This is controlled through the STATUSCOM register. This allows multiple devices to share the same \overline{DR} pin (with a pull-up resistor connected between \overline{DR} and DV_{DD}). If only the MCP3918 device is connected on the interrupt bus, the \overline{DR} pin does not require a pull-up resistor, and therefore it is recommended to use the $\overline{DR_HIZ} = 1$ configuration for such applications.

The \overline{CS} pin has no effect over the \overline{DR} pin, which means that, even if the \overline{CS} pin is logic high, the Data Ready pulses coming from the active ADC channels will still be provided; the \overline{DR} pin behavior is independent from the SPI interface. While the \overline{RESET} pin is logic low, the \overline{DR} pin is not active. The \overline{DR} pin is latched in the logic low state when the interrupt flag on the CRCREG is present to signal that the desired register configuration has been corrupted (see [Section 6.11 “Detecting Configuration Change through CRC-16 Checksum on Register Map and its Associated Interrupt Flag”](#)).

6.8 ADC Channel Latching and Synchronization

The ADC data output register (address 0x00) has a double buffer output structure. The two sets of latches in series are triggered by the data ready signal and an internal signal indicating the beginning of a read communication sequence (read start).

The first set of latches holds the ADC channel data output register when the data is ready. This behavior is synchronous with the MCLK clock.

The second set of latches ensures that, when reading starts on an ADC output, the corresponding data is latched, so that no data corruption can occur within a read. This behavior is synchronous with the SCK clock. If an ADC read has started, in order to read the following ADC output, the current reading needs to be fully completed (all bits must be read on the SDO pin from the ADC output data registers).

Since the double output buffer structure is triggered with two events that depend on two asynchronous clocks (data ready pulse with MCLK and read start with SCK), it is recommended to implement one of the three following methods on the MCU or the processor, in order to synchronize the reading of the channels:

1. **Use the \overline{DR} pin pulses as an interrupt:** once a falling edge occurs on the \overline{DR} pin, the data is available for reading on the ADC output registers after the t_{DODR} timing. If this timing is not respected, data corruption can occur.
2. **Use a timer clocked with MCLK as a synchronization event:** since the data ready pulse is synchronous with MCLK, the user can calculate the position of the data ready pulse depending on the PHASE, the $OSR<2:0>$ and the $PRE<1:0>$ settings. Again, the t_{DODR} timing needs to be added to this calculation, to avoid data corruption.
3. **Poll the DRSTATUS bit in the STATUSCOM register:** this method consists of continuously reading the STATUSCOM register and waiting for the DRSTATUS bit to be equal to '0'. When this event happens, the user can start a new communication to read the desired ADC data. In this case, no additional timing is required.

The first method is the preferred one, as it can be used without adding additional MCU code space, but requires connecting the \overline{DR} pin to an I/O pin of the MCU. The two last methods require more MCU code space and execution time, but they allow synchronizing the reading of the channels without connecting the \overline{DR} pin, which saves one I/O pin on the MCU.

6.9 Securing Read Communications through CRC-16 Checksum

Since power/energy metering systems can generate or receive large EMI/EMC interferences and large transient spikes, it is helpful to secure SPI communications as much as possible to maintain data integrity and desired configurations during the lifetime of the application.

The communication data on the SDO pin can be secured through the insertion of a Cyclic Redundancy Check (CRC) checksum at the end of each continuous reading sequence. The CRC checksum on the communications can be enabled or disabled through the EN_CRCCOM bit in the STATUSCOM register. The CRC message ensures the integrity of the read sequence bits transmitted on the SDO pin, and the CRC checksum is inserted in between each read sequence (see [Figure 6-10](#)).

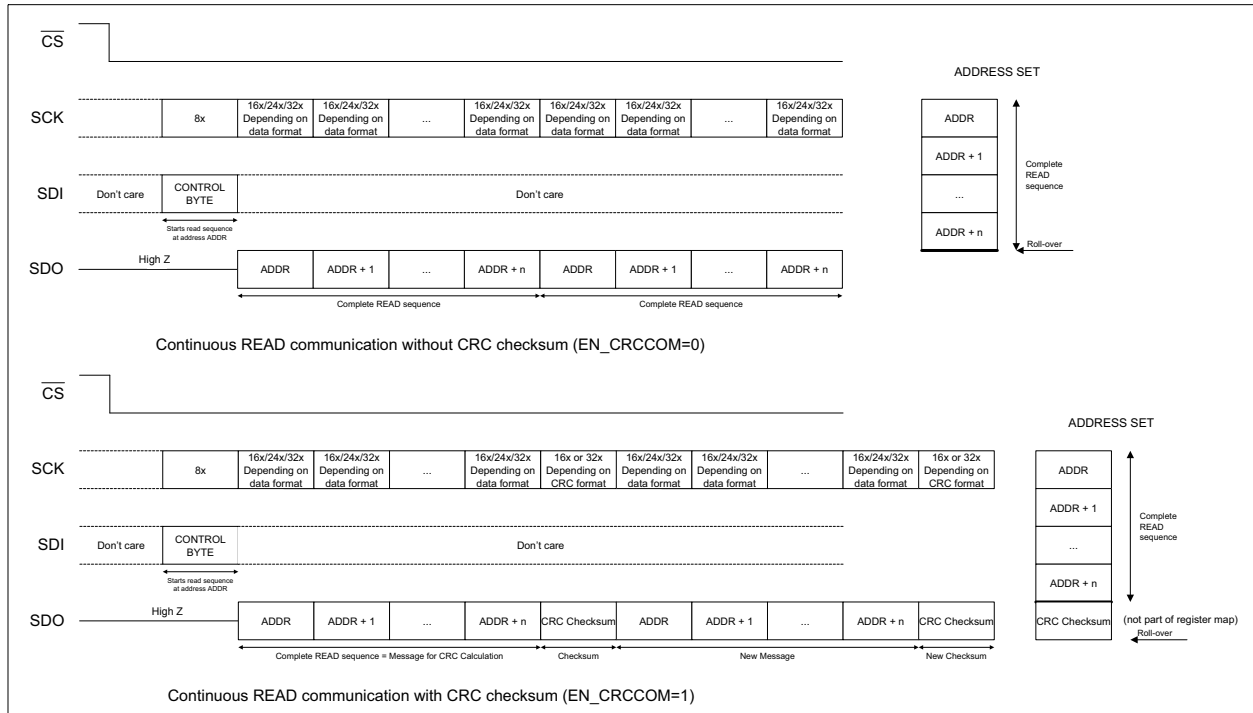


FIGURE 6-9: Continuous Read Sequences With and Without CRC Checksum Enabled.

The CRC checksum in the MCP3918 device uses the 16-bit CRC-16 ANSI polynomial as defined in the IEEE 802.3 standard: $x^{16} + x^{15} + x^2 + 1$. This polynomial can also be noted as 0x8005. CRC-16 detects all single and double-bit errors, all errors with an odd number of bits, all burst errors of length 16 or less, and most errors for longer bursts. This allows an excellent coverage of the SPI communication errors that can happen in the system, and heavily reduces the risk of a miscommunication, even under noisy environments.

The CRC-16 format displayed on the SDO pin depends on the WIDTH_DATA<1> bit in the STATUSCOM register (see Figure 6-10). It can be either 16-bit or 32-bit format to be compatible with both 16-bit and 32-bit MCUs. The CRCREG<15:0> bits calculated by the MCP3918 device are not dependent on the format (the device always calculates only a 16-bit CRC checksum). It is recommended to keep WIDTH_DATA<1> = WIDTH_CRC when the CRC checksum is enabled. If a 32-bit MCU is used in the application, it is recommended to use 32-bit formats (WIDTH_DATA<1> = WIDTH_CRC = 1) only.

The CRC computed by the MCP3918 device is fully compatible with the CRC hardware contained in the Direct Memory Access (DMA) peripheral of the PIC24 and PIC32 MCU product lines. The CRC message that should be considered in the PIC® device DMA is the concatenation of the read sequence and its associated checksum. When the DMA CRC hardware computes this extended message, the resulting checksum should be 0x0000. Any other result indicates that a miscommunication has happened and that the current communication sequence should be stopped and restarted.

Note: The CRC will be generated only at the end of the selected address set, before the rollover of the address pointer occurs (see Figure 6-10).

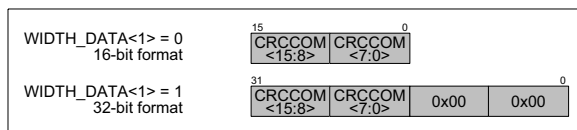


FIGURE 6-10: CRC Checksum Format.

6.10 Locking/Unlocking Register Map Write Access

The MCP3918 digital interface includes an advanced security feature that allows locking or unlocking the register map write access. This feature prevents the miscommunications that can corrupt the desired configuration of the device, especially an SPI read becoming an SPI write because of the noisy environment.

The last register address of the register map (0x1F: LOCK/CRC) contains the LOCK<7:0> bits. If these bits are equal to the password value (which is equal to the default value of 0xA5), the register map write access is not locked. Any write can take place and communications are not protected.

When the LOCK<7:0> bits are different from 0xA5, the register map write access is locked. The register map and therefore the full device configuration are write-protected. Any write to an address other than 0x1F will yield no result. All the register addresses, except for 0x1F, become read-only. In this case, if the user wants to change the configuration, the LOCK<7:0> bits have to be reprogrammed back to 0xA5 before sending the desired write command.

The LOCK<7:0> bits are located in the last register, so that the user can program the whole register map, starting from 0x09 to 0x1E within one continuous write sequence, and then lock the configuration at the end of the sequence with writing all zeros, for example in the 0x1F address.

6.11 Detecting Configuration Change through CRC-16 Checksum on Register Map and its Associated Interrupt Flag

In order to prevent internal corruption of the register and to provide additional security on the register map configuration, the MCP3918 device includes an automatic and continuous CRC checksum calculation on the full register map configuration bits. This calculation is not the same as the communication CRC checksum described in [Section 6.9 “Securing Read Communications through CRC-16 Checksum”](#). This calculation takes the full register map as the CRC message and outputs a checksum on the CRCREG<15:0> bits located in the LOCK/CRC register (address 0x1F).

Since this feature is intended to protect the configuration of the device, this calculation is run continuously only when the register map is locked (LOCK<7:0> different from 0xA5, see [Section 6.10 “Locking/Unlocking Register Map Write Access”](#)). If the register map is unlocked, the CRCREG<15:0> bits are cleared and no CRC is calculated.

The calculation is fully completed in ten DMCLK periods and refreshed every ten DMCLK periods continuously. The CRCREG<15:0> bits are reset when a POR or a hard reset occurs. All the bits contained in the defined registers from addresses 0x09 to 0x1F are processed by the CRC engine to give the CRCREG<15:0>. The DRSTATUS bit is set to '1' (default) and the CRCREG<15:0> bits are set to '0' (default) for this calculation engine, as they could vary during the calculation.

An interrupt flag can be enabled through the EN_INT bit in the STATUSCOM register and provided on the \overline{DR} pin when the configuration has changed without a write command being processed. This interrupt is a logic low state. This interrupt is cleared when the register map is unlocked (since CRC calculation is not processed anymore).

At power-up, the interrupt is not present and the register map is unlocked. As soon as the user finishes writing its configuration, the user needs to lock the register map (writing 0x00 for example in the LOCK bits) to be able to use the interrupt flag. The CRCREG<15:0> bits will be calculated for the first time in 10 DMCLK periods. This first value will then be the reference checksum value and will be latched internally, until a hard reset, a POR or an unlocking of the register map happens. The CRCREG<15:0> will then be calculated continuously and checked against the reference checksum. If the CRCREG<15:0> is different from the reference, the interrupt sends a flag by setting the \overline{DR} pin to a logic low state until it is cleared.

6.12 Interface Mode Selection (SPI or 2-Wire)

The MCP3918 includes two different digital interfaces: a standard 4-wire half duplex SPI interface (see [Section 6.0 “SPI Serial Interface Description”](#)) and a 2-wire interface dedicated for digitally isolated applications (see [Section 7.0 “2-Wire Serial Interface Description”](#)).

The selection between these two interfaces is possible only when the CLKEXT bit is high (CLKEXT = 1). This is the case by default at POR. When the CLKEXT = 1 condition is true, the OSC2/MODE pin becomes the selection input pin for the Interface mode.

When OSC2/MODE is logic low during the CLKEXT = 1 condition, the SPI interface is selected. When OSC2/MODE pin is logic high, the 2-Wire Interface is selected (see [Figure 1-5](#) for the 2-Wire mode selection timing diagram).

If OSC2/MODE pin is left floating while CLKEXT = 1, an internal pull-down (35 μ A typical current) automatically selects the SPI mode as the default interface.

The MODE selection is not combinatorial, it is latched at each POR, Hard Reset and Watchdog Time Reset. In other words, to change from one interface mode to another, the user needs to create one of these three resets and change the OSC2/MODE logic input state before exiting the applied reset.

MCP3918

NOTES:

7.0 2-WIRE SERIAL INTERFACE DESCRIPTION

7.1 Overview

The 2-Wire Interface mode is designed for applications that require galvanic isolation. It allows a minimum number of digital isolator channels, specifically one bi-directional or two unidirectional channels, to be connected to the MCP3918 when interfacing through an isolation barrier. This functionality reduces the total system cost in an isolated application system, like a polyphase shunt-based energy meter. It is recommended to use the MCP3918 with the 2-Wire mode for digitally isolated applications and with the SPI mode for other applications where galvanic isolation is not required.

The principle of this 2-Wire interface is simple: it has a serial clock input pin (SCK/MCLK) and a serial data output pin (SDO), and it automatically sends output data in packets (frames) at a DRCLK data rate (every time new data is available on the ADC output). It has no serial input pin to diminish the number of isolated channels. At the same time, the serial clock pin SCK also becomes the master clock (MCLK) input pin of the device, and the part becomes fully synchronous with SCK = MCLK. The system then becomes fully synchronous and can be driven by only one master clock for multiple phases, which ensures proper synchronization and constant phase angle between phases, which is important for an energy metering application.

The SDO pin becomes the only output of the device and is fully synchronous with the serial/master clock. The SDO pin is never in high-impedance in this mode, and is by default at logic low when not transmitting data. The SDO pin idles logic low in this mode because most of the digital isolator devices consume less current in a logic low state than in a logic high state. This effectively reduces the total power consumption of a system with digital isolation devices.

When the part has entered 2-Wire mode, the logic pins $\overline{\text{RESET}}$, SDI, $\overline{\text{CS}}$, OSC1 and $\overline{\text{DR}}$ become logic input pins for the configuration of the device (respectively OSR0/OSR1/BOOST/GAIN0/GAIN1). These pins need to have well-defined logic states for low-power applications. These pins define the only settings that can be modified in 2-Wire mode.

The MDAT0 pin is always disabled and kept in a high-impedance state during the 2-Wire Interface mode. This pin can be grounded for applications using exclusively the 2-Wire Interface mode so that the EMI/EMC susceptibility of the part is improved.

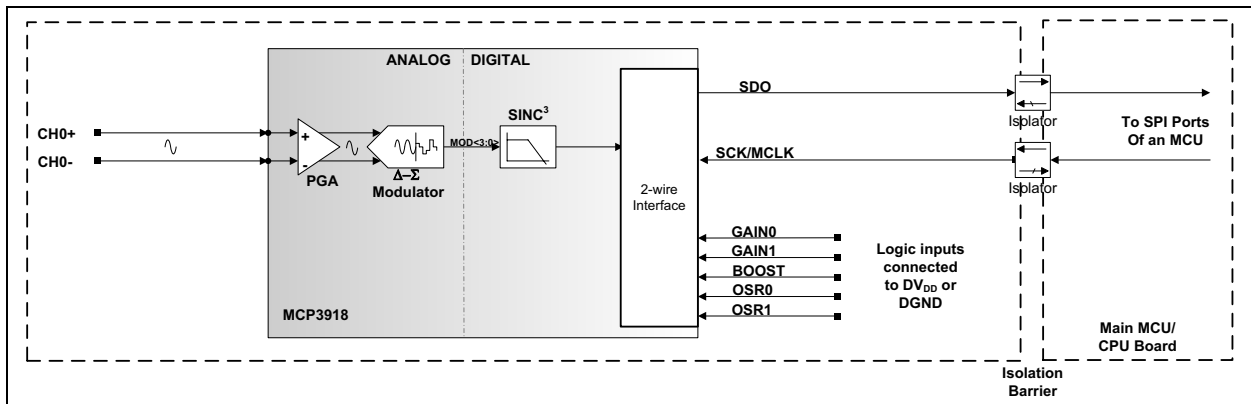


FIGURE 7-1: MCP3918 2-Wire Interface Typical Application Schematic.

MCP3918

7.2 2-Wire Mode Configuration Settings

When the user wants to exclusively use the 2-Wire Interface mode in digitally isolated applications, the OSC2 pin should always be in a logic high state, starting from the power-up of the part. Otherwise, the user can change the interface mode by toggling the OSC2/MODE pin within a POR, a Hard Reset or a Watchdog Timer Reset; the MODE is latched when exiting one of these three types of reset. When the part has entered 2-Wire mode, the entire part configuration keeps its default settings (see [Section 9.0 “MCP3918 Internal Registers”](#) for the default settings of all internal registers), except for the configuration of the Gain in Channel 0, the OSR and the BOOST settings.

In 2-Wire mode, the input pins OSR0/OSR1/BOOST/GAIN0/GAIN1 are latched on the OSC2/MODE rising edge and should typically be directly connected to DV_{DD} or D_{GND}, depending on the desired configuration. These pins define the only configurable settings in 2-Wire mode. If more settings are required by the application, it is recommended to use the SPI mode. The following tables describe the configuration options for these five pins.

7.2.1 OSR1/OSR0

OSR Setting Logic Pins. These inputs are Schmitt-triggered.

TABLE 7-1: OSR SETTINGS

OSR1	OSR0	OSR
0	0	64
0	1	128
1	0	256
1	1	512

7.2.2 BOOST

Current Boost Setting Logic Pin. This input is Schmitt-triggered.

TABLE 7-2: CURRENT BOOST SETTINGS

BOOST PIN	BOOST
0	0.5x
1	1x

7.2.3 GAIN1/GAIN0

PGA Gain Setting Logic Pins. These inputs are Schmitt-triggered.

TABLE 7-3: CHANNEL 0 GAIN SETTINGS

GAIN1	GAIN0	CH0 PGA GAIN
0	0	1
0	1	8
1	0	16
1	1	32

7.3 2-Wire Communication Protocol

In 2-Wire mode, the SCK/MCLK pin needs to be clocked continuously at all times for proper operation. Any change in the clock frequency will lead to degraded THD/SFDR specifications. The part obeys the same timing specifications in both SPI and 2-Wire Interface mode for SCK/SDO pins. The MCLK maximum input frequency is 10 MHz in 2-Wire mode, since the converter still respects [Table 5-2](#) for maximum AMCLK frequency (provided the part has entered 2-Wire mode at power-up). Since the MCLK is divided internally, the part accepts a wide range of duty cycles for the SCK input, provided the serial interface timings are respected.

In 2-Wire Interface mode, communication uses framed data sets on the SDO to output data at a fixed data rate, synchronously with SCK, and using only one output pin. The frame is different depending on the device and the oversampling ratio (OSR) selected. When in OSR = 64 mode, the MCP3918 frame contains the sync bytes (16-bit), one channel of 16-bit ADC data and a 16-bit CRC. For OSR = 128 and higher, each frame is a group of 7 bytes (56 bits), clocked by the serial clock SCK. Each frame is composed of a sync word (2 bytes), 24-bit data output word (3 bytes) and CRC. The sync word comes first, followed by Channel 0 ADC output (DATA_CH0<23:0>) and 16-bit CRC. See [Figures 7-1](#) and [7-2](#).

As a verification feature, the sync word contains all settings coming from the five logic input pins available (OSR0/1, GAIN0/1, BOOST), in order to provide the user with the information about this configuration. It also provides information about the count of the frame through bits CNT0/1, which is useful when the SDO is multiplexed at the output of the digital isolators (see next paragraph). The sync word also contains an additional sync byte (fixed at 0xA5 value) for additional security in synchronization and communication.

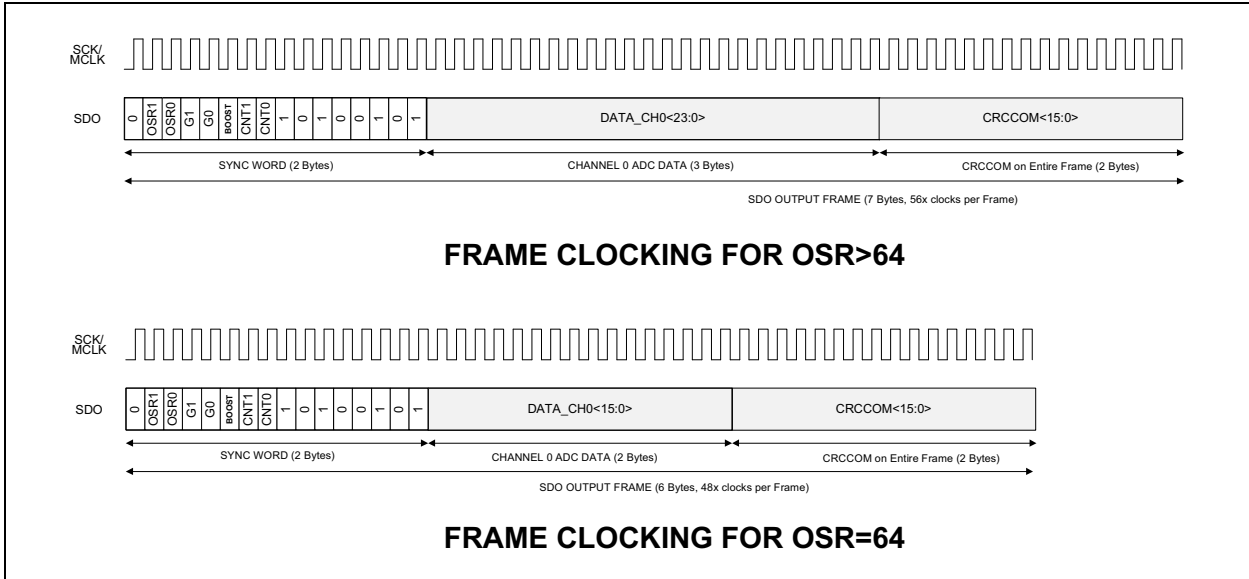


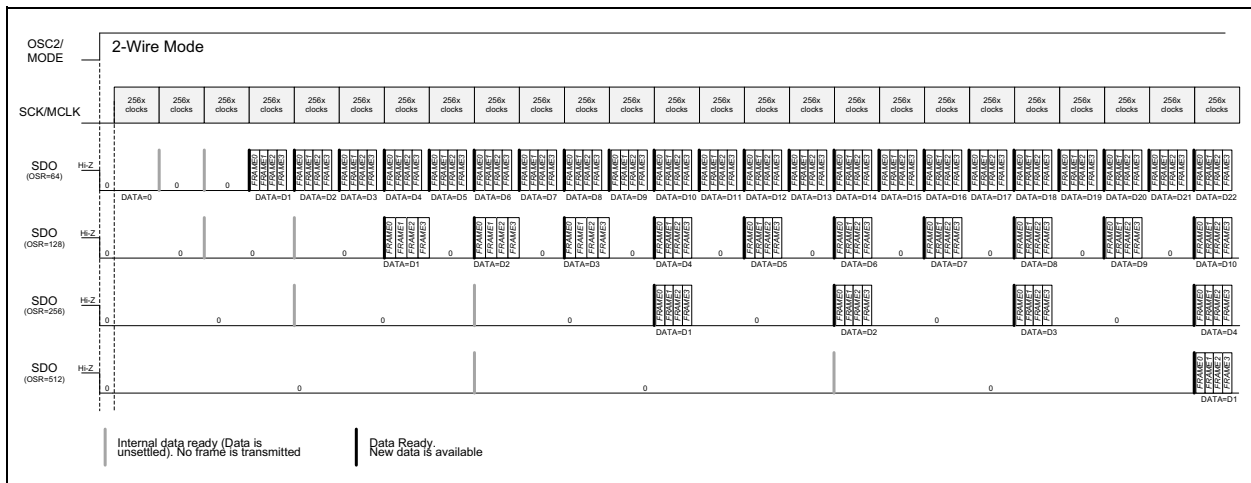
FIGURE 7-2: Frame Word.

TABLE 7-4: FRAME COUNTER SETTINGS

CNT1	CNT0	FRAME NUMBER
0	0	FRAME0
0	1	FRAME1
1	0	FRAME2
1	1	FRAME3

These four frames can be used to multiplex SDO at the output of the digital isolators. In this case, up to four channels (typically three phases and one neutral for energy metering applications) can be multiplexed. The output data of each individual MCP3918 device can be attributed to a different frame (FRAME0, 1, 2 or

3), and retrieved on a single SDO line after the digital isolators, provided that the isolators have a chip enable or a multiplexing feature. The frame counter can then be used to retrieve the information about which MCP3918 part is actually being read. After the four frames have been transmitted, the SDO pin idles logic low to reduce digital isolator power consumption until the next data is available. [Figure 7-3](#) displays the timing diagram for the 2-Wire Interface mode, showing all OSR possibilities. Note that the first set of frames is sent only when the first data is ready, which means that the settling time of the sinc filter will be elapsed before sending the first set of frames, as represented in [Figure 7-3](#).



7.4 Watchdog Timer Reset, Resetting the Part when in 2-Wire Mode

When the part has entered 2-Wire mode, the Hard Reset mode functionality is not available because the $\overline{\text{RESET}}$ pin becomes the logic input for OSR0. If the user wants to execute a full reset of the part without doing a POR, the 2-Wire mode incorporates an internal watchdog timer that automatically performs a full reset of the part, provided that the timer has elapsed.

The watchdog timer starts synchronously with each rising edge of SCK/MCLK. If the SCK logic high state is maintained for a time that is larger than t_{WATCH} , the watchdog timer circuit forces the full reset of the chip, which then returns to its default configuration with the ADC being reset. If the SCK logic high state is maintained for a time shorter than t_{WATCH} and then SCK/MCLK toggles to logic low, the internal timer is cleared, waiting for another rising edge to restart.

The watchdog timer functionality induces a restriction in the usable range of frequencies on SCK/MCLK. In order to avoid intermittent resets in all cases, the minimum SCK/MCLK frequency in 2-Wire Interface mode is equal to the inverse of the minimum t_{WATCH} time ($1/(2 \times 3.6 \mu\text{s}) = 138.9 \text{ kHz}$, if the duty cycle of the SCK/MCLK is 50%).

The watchdog timer starts only on the rising edge of SCK/MCLK, not on the falling edge. Maintaining SCK/MCLK at a logic low state for large periods of time does not create any watchdog timer resets. A Watchdog Timer Reset is created only when the SCK/MCLK state is maintained logic high during a long enough period of time.

This watchdog timer period permits exiting the 2-Wire interface, if desired, by toggling the OSC2/MODE pin to logic low before creating the Watchdog Timer Reset and maintaining it logic low until the reset occurs.

8.0 BASIC APPLICATION CONFIGURATION

One of the main applications for the MCP3918 is energy/power measurement in systems where the ADC sampling the current needs to be isolated from the rest of the design. [Figure 8-1](#) can be used as a starting point for MCP3918 applications.

For power measurements, since MCP3918 is a 1-channel ADC, it is recommended to use it for current samples acquisition and to use the MCU ADC for voltage samples acquisition.

The isolator used between MCU and ADC needs to be fast enough to support the high-speed clock between MCU and ADC and the data coming from ADC to MCU.

This is typically the case in a polyphase shunt-based power/energy metering or monitoring application. In this case, each phase needs to be isolated from the rest of the design and, since the sensor is not providing this isolation, the isolation needs to be provided at the output of the analog front-end.

The MCP3918 device is built to work seamlessly with a large variety of two-channel unidirectional digital isolators (opto-couplers, capacitive or inductive integrated digital isolators with or without embedded power supplies).

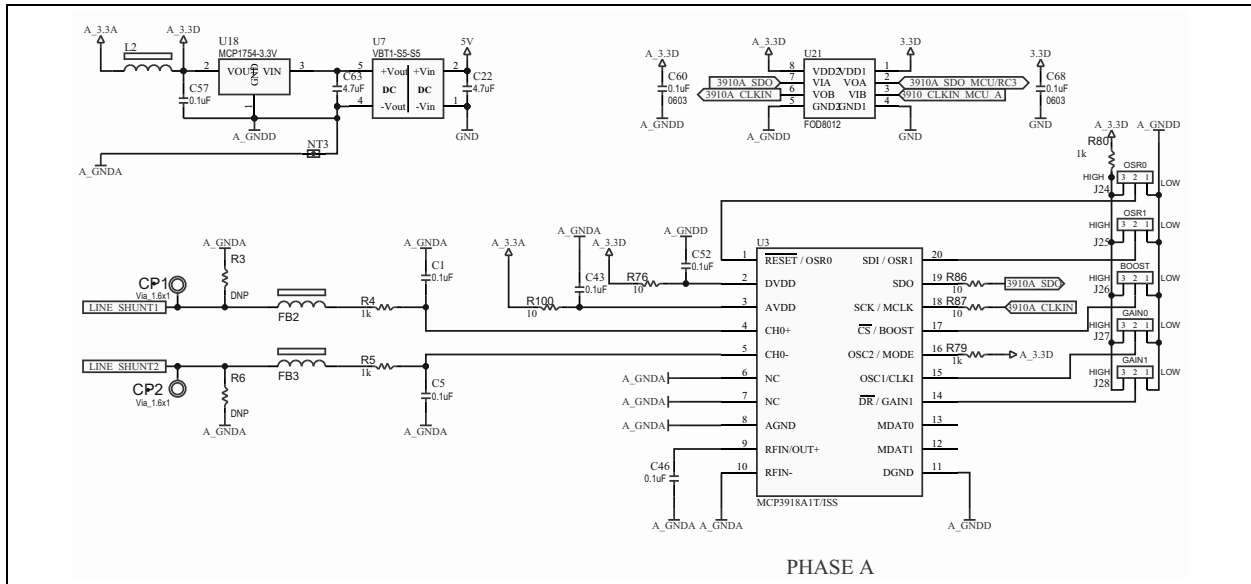


FIGURE 8-1: MCP3918 Three-Phase Shunt Energy Meter – Typical Application Schematic for Each Phase.

8.1 Power Supply Design and Bypassing

To power the isolated ADC, an isolated DC/DC converter that can be embedded with the isolated data communication channels (as in [Figure 8-1](#)) or other structures that provide isolated power supplies (e.g., fly-back converter) can be used.

For single-phase designs where isolation between ADC and MCU is not required, the SPI connection is also available. This SPI interface could also be used with isolators but this would require four isolators instead of two (for the 2-wire mode) and, therefore, this configuration is not preferred.

8.2 Power Supply Design and Bypassing

The MCP3918 device was designed to measure positive and negative voltages that might be generated by a current-sensing device. This current-sensing device, with a common-mode voltage close to 0V, is referred to as A_{GND} , which is a shunt or current transformer (CT) with burden resistors attached to ground.

The high performance and good flexibility that characterize this ADC enable it to be used in other applications, as long as the absolute voltage on each pin, referred to A_{GND} , stays in the -1V to +1V range.

MCP3918

In any system, the analog ICs (such as references or operational amplifiers) are always connected to the analog ground plane. The MCP3918 should also be considered as a sensitive analog component, and should be connected to the analog ground plane. The ADC features two pairs of pins: A_{GND} , AV_{DD} , D_{GND} and DV_{DD} . For best performance, it is recommended to keep the two pairs connected to two different networks (Figure 8-2). This way, the design will feature two ground traces and two power supplies (Figure 8-3). This means the analog circuitry (including MCP3918) and the digital circuitry (MCU) should have separate power supplies and return paths to the external ground reference, as described in Figure 8-2.

An example of a typical power supply circuit, with different lines for analog and digital power, is shown in Figure 8-3. A possible split example is shown in Figure 8-4, where the ground star connection can be done at the bottom of the device with the exposed pad. The split between analog and digital can be done under the device, and AV_{DD} and DV_{DD} can be connected together with lines coming under the ground plane. Another possibility, sometimes easier to implement in terms of PCB layout, is to consider the MCP3918 as an analog component and, therefore, to connect both AV_{DD} and DV_{DD} together, and A_{GND} and D_{GND} together, with a star connection. In this scheme, the decoupling capacitors may be larger, due to the ripple on the digital power supply (caused by the digital filters and the SPI interface of the MCP3918) now causing glitches on the analog power supply.

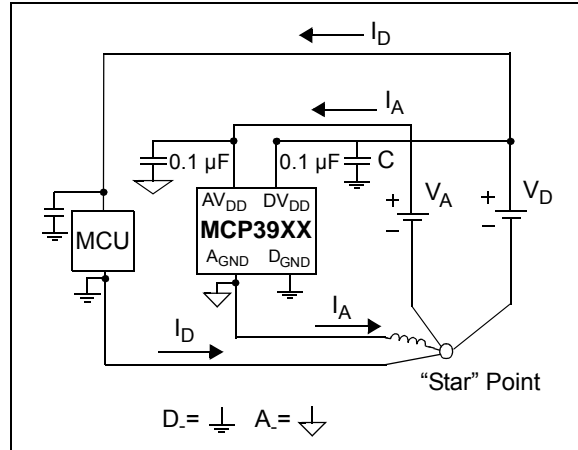


FIGURE 8-2: All Analog and Digital Return Paths Need to Stay Separate with Proper Bypass Capacitors.

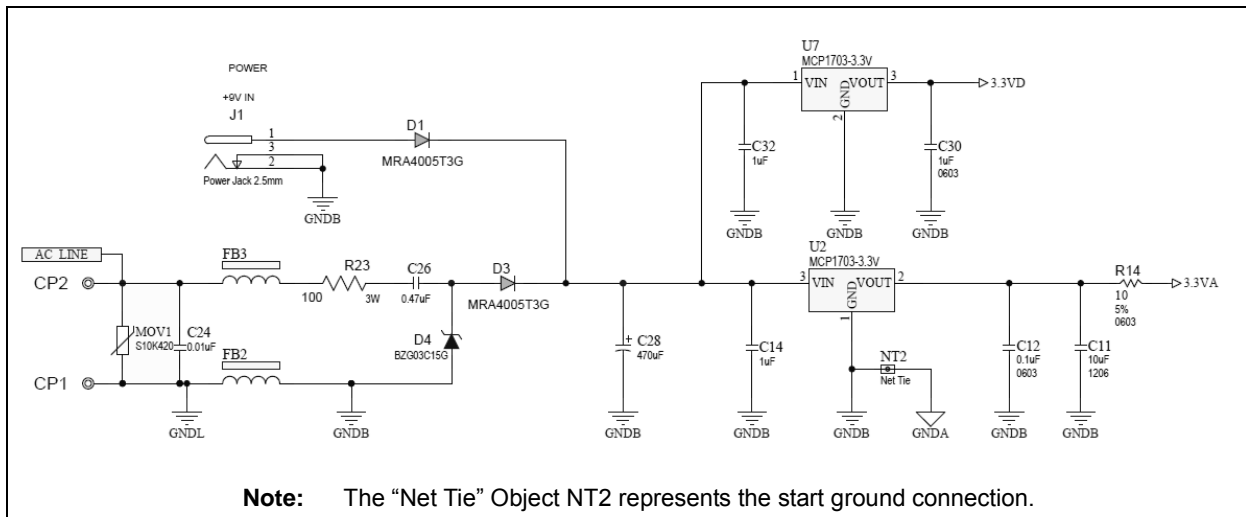


FIGURE 8-3: Power Supply with Separate Lines for Analog and Digital Sections.

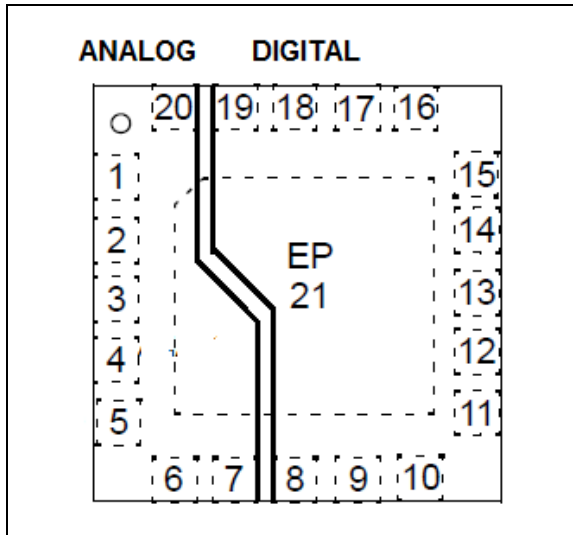


FIGURE 8-4: Separation of Analog and Digital Circuits on Layout.

Figure 7-5 shows a more detailed example with a direct connection to a high-voltage line (e.g., a two-wire 120V or 220V system). A current-sensing shunt is used for current measurement on the high/line side that also supplies the ground for the system. This is necessary as the shunt is directly connected to the channel input pins of the MCP3918. To reduce sensitivity to external influences, such as EMI, these two wires should form a twisted pair, as noted in Figure 8-5. The power supply and MCU are separated on the right side of the PCB, surrounded by the digital ground plane. The MCP3918 is kept on the left side, surrounded by the analog ground plane. There are two separate power supplies going to the digital section of the system and the analog section, including the MCP3918. With this placement, there are two separate current supply paths and current return paths, I_A and I_D .

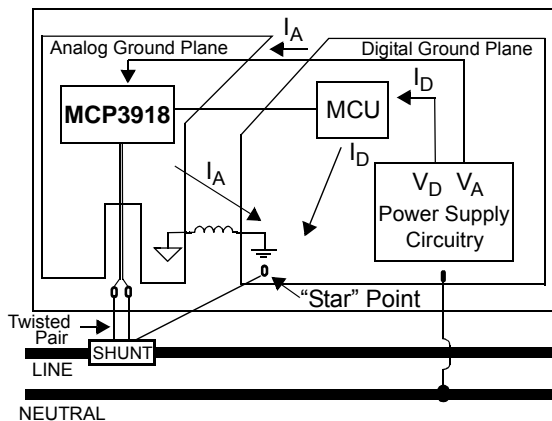


FIGURE 8-5: Connection Diagram.

The ferrite bead between the digital and analog ground planes helps keep high-frequency noise from entering the device. This ferrite bead is recommended to be low resistance; most often it is a THT component. Ferrite beads are typically placed on the shunt inputs and into the power supply circuit for additional protection.

8.3 SPI Interface Digital Crosstalk

The MCP3918 incorporates a high-speed 20-MHz SPI digital interface. This interface can induce a crosstalk, if it is running at its full speed without any precautions. The crosstalk is caused by the switching noise created by the digital SPI signals (also called ground bouncing).

This crosstalk would negatively impact the SNR in this case. The noise is attenuated if a proper separation between the analog and digital power supplies is put in place (see Section 8.2 “Power Supply Design and Bypassing”). In order to further remove the influence of the SPI communication on measurement accuracy, it is recommended to add series resistors on the SPI lines to reduce the current spikes caused by the digital switching noise (see Figure 8-1 where these resistors have been implemented). The resistors also help to keep the level of electromagnetic emissions low. The measurement graphs provided in this data sheet have been performed with 100Ω series resistors connected on each SPI I/O pin. Measurement accuracy disturbances have not been observed even at the full speed of 20 MHz interfacing. The crosstalk performance is dependent on the package choice due to the difference in the pin arrangement (dual in-line or quad), and is improved in the QFN-20 package.

MCP3918

8.4 Sampling Speed and Bandwidth

If ADC power consumption is not a concern in the design, the boost settings can be increased for best performance so that the OSR is always kept at the maximum settings to improve the SINAD performance (see Table 7-1). If the MCU cannot generate a clock fast enough, it is possible to tap the OSC1/OSC2 pins of the MCP3918 crystal oscillator directly to the crystal of the microcontroller. When the sampling frequency is enlarged, the phase resolution is improved, and with the OSR increased, the phase compensation range can be kept in the same range as the default settings.

TABLE 8-1: SAMPLING SPEED VS. MCLK AND OSR, ADC PRESCALE 1:1

MCLK (MHz)	Boost	OSR	Sampling Speed (ksps)
16	0b11	1024	3.91
14	0b11	1024	3.42
12	0b11	1024	2.93
10	0b10	1024	2.44
8	0b10	512	3.91
6	0b01	512	2.93
4	0b01	256	3.91

8.5 Differential Inputs Anti-Aliasing Filter

Due to the nature of the ADC used in the MCP3918 (oversampling converter), each differential input of the ADC channels requires an anti-aliasing filter so that the oversampling frequency (DMCLK) is largely attenuated and does not generate any disturbances on the ADC accuracy. This anti-aliasing filter also needs to have a gain close to the one in the signal bandwidth of interest. Typically, for 50/60 Hz measurement and default settings (DMCLK = 1 MHz), a simple RC filter with 1 k Ω and 100 nF can be used. The anti-aliasing filter used for the measurement graphs is a first-order RC filter with 1 k Ω and 15 nF. The typical schematic for connecting a current transformer to the ADC is shown in Figure 8-6. If wires are involved, twisting them is also recommended.

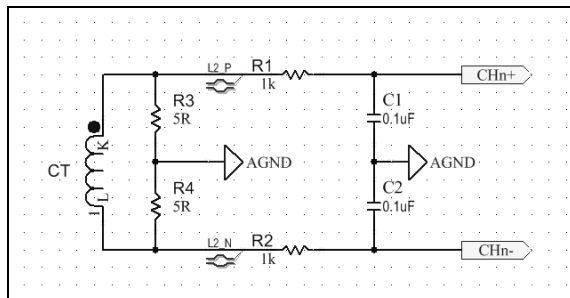


FIGURE 8-6: First-Order Anti-Aliasing Filter for CT-Based Designs.

The di/dt current sensors, such as Rogowski coils, can be an alternative to current transformers. Since these sensing elements are highly sensitive to high-frequency electromagnetic fields, using a second-order anti-aliasing filter is recommended to increase the attenuation of potential perturbing RF signals.

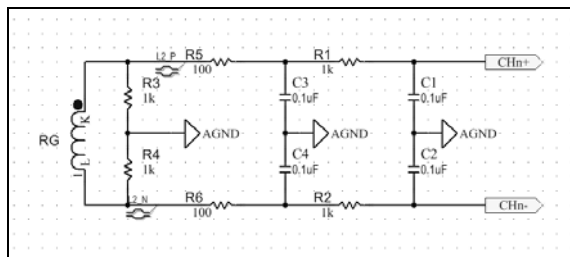


FIGURE 8-7: Second-Order Anti-Aliasing Filter for Rogowski Coil-Based Designs.

The filter presented in Figure 8-7 is an anti-aliasing filter. The di/dt integrator can be created in firmware as a first-order low-pass filter with corner frequency much lower than the input signal.

The MCP3918 is highly recommended in applications using di/dt as current sensors because of the extremely low noise floor at low frequencies. In such applications, a low-pass filter (LPF) with a cut-off frequency much lower than the signal frequency (50/60 Hz for metering) is used to compensate for the 90 degree shift and for the 20 db/decade attenuation induced by the di/dt sensor. Because of this filter, the SNR will be decreased, since the signal will be attenuated by a few orders of magnitude, while the low-frequency noise will not be attenuated. Usually, a high-order high-pass filter (HPF) is used to attenuate the low-frequency noise in order to prevent a dramatic degradation of the SNR, which can be very important in other parts. A high-order filter will also consume a significant portion of the computation power of the MCU. When using the MCP3918, such a high-order HPF is not required, since this part has a low noise floor at low frequencies. A first-order HPF is enough to achieve very good accuracy.

8.6 Energy Measurement Error Considerations

The measurement error is a typical representation of the non-linearity of the ADC (see [Section 4.0 “Terminology and Formulas”](#) for the definition of measurement error). The measurement error is dependent on the THD and on the noise floor of the ADC. The measurement error specification on the MCP3918 can be improved by increasing the OSR (to get a better SINAD and THD performance) and, to some extent, the BOOST settings (if the bandwidth of the measurements is too limited by the bandwidth of the amplifiers in the sigma-delta ADC). In most of the energy metering AC applications, high-pass filters are used to cancel the offset on each ADC channel (current and voltage channels), and therefore a single-point calibration is necessary to calibrate the system for active energy measurement. This calibration is a system gain calibration, and the user can utilize the EN_GAINCAL bit and the GAINCAL_CH0 register to perform this digital calibration. After such calibration, typical measurement error curves like the ones in [Figure 2-7](#) can be generated by sweeping the current channel amplitude and measuring the energy at the outputs (the energy calculations here are being realized off-chip). The error is measured using a gain of 1x, as it is commonly used in most CT-based applications.

At low signal amplitude values (typically 1000:1 dynamic range and higher), the crosstalk between channels, mainly caused by the PCB, becomes a significant part of the perturbation as the measurement error increases. The 1-point measurement error curves in [Figure 2-5](#) have been performed with a full-scale sine wave on all the inputs that are not measured, which means that these channels induce a maximum amount of crosstalk on the measurement error curve. In order to avoid such behavior, a 2-point calibration can be put in place in the calculation section.

This 2-point calibration can be a simple linear interpolation between two calibration points (one at high amplitudes, one at low amplitudes at each end of the dynamic range) and helps to significantly lower the effect of crosstalk between channels. A 2-point calibration is very effective in maintaining the measurement error close to zero on the whole dynamic range, since the non-linearity and distortion of the MCP3918 is very low. [Figure 2-6](#) shows the measurement error curves obtained with the same ADC data taken for [Figure 2-5](#), but where a 2-point calibration has been applied. The difference is significant only at the low end of the dynamic range, where all the perturbing factors are a bigger part of the ADC output signals. These curves show extremely tight measurement error across the full dynamic range (here, typically 10,000:1), which is required in high-accuracy class meters.

MCP3918

NOTES:

9.0 MCP3918 INTERNAL REGISTERS

The addresses associated with the internal registers are listed in [Table 9-1](#). This section also describes the registers in detail. All registers are 24-bit long registers, which can be addressed and read separately.

The format of the data register (0x00) can be changed through the WIDTH_CRC and WIDTH_DATA<1:0> bits in the STATUSCOM register. The READ<1:0> and WRITE bits define the groups and types of registers for continuous read/write communication or looping on address sets, as shown in [Table 9-2](#).

TABLE 9-1: MCP3918 REGISTER MAP

Address	Name	Bits	R/W	Description
0x00	CHANNEL0	24	R	Channel 0 ADC Data <23:0>, MSB first
0x01	Unused	24	U	Unused
0x02	Unused	24	U	Unused
0x03	Unused	24	U	Unused
0x04	Unused	24	U	Unused
0x05	Unused	24	U	Unused
0x06	Unused	24	U	Unused
0x07	Unused	24	U	Unused
0x08	MOD	24	R/W	Delta-sigma Modulators Output Value
0x09	PHASE	24	U	Phase Delay Configuration Register
0x0A	Unused	24	U	Unused
0x0B	GAIN	24	R/W	Gain Configuration Register
0x0C	STATUSCOM	24	R/W	Status and Communication Register
0x0D	CONFIG0	24	R/W	Configuration Register
0x0E	CONFIG1	24	R/W	Configuration Register
0x0F	OFFCAL_CH0	24	R/W	Offset Correction Register - Channel 0
0x10	GAINCAL_CH0	24	R/W	Gain Correction Register - Channel 0
0x11	Unused	24	U	Unused
0x12	Unused	24	U	Unused
0x13	Unused	24	U	Unused
0x14	Unused	24	U	Unused
0x15	Unused	24	U	Unused
0x16	Unused	24	U	Unused
0x17	Unused	24	U	Unused
0x18	Unused	24	U	Unused
0x19	Unused	24	U	Unused
0x1A	Unused	24	U	Unused
0x1B	Unused	24	U	Unused
0x1C	Unused	24	U	Unused
0x1D	Unused	24	U	Unused
0x1E	Unused	24	U	Unused
0x1F	LOCK/CRC	24	R/W	Security Register (password and CRC-16 on Register Map)

MCP3918

TABLE 9-2: REGISTER MAP GROUPING FOR ALL CONTINUOUS READ/WRITE MODES

Function	Address	READ<1:0>				WRITE	
		= '11'	= '10'	= '01'	= '00'		
CHANNEL 0	0x00	LOOP ENTIRE REGISTER MAP	TYPE	GROUP	Static	Not Writable	
MOD	0x08		TYPE	GROUP	Static	TYPE	Static
GAIN	0x0B				Static		Static
STATUSCOM	0x0C				Static		Static
CONFIG0	0x0D				Static		Static
CONFIG1	0x0E		GROUP	GROUP	Static	TYPE	Static
OFFCAL_CH0	0x0F				Static		Static
GAINCAL_CH0	0x10				Static		Static
LOCKCRC	0x1F		GROUP	GROUP	Static	TYPE	Static

9.1 CHANNEL Register – ADC Channel Data Output Register

Name	Bits	Address	Cof.
CHANNEL0	24	0x00	R

The ADC Channel Data Output register always contains the most recent A/D conversion data. This register is read-only. This register is latched when an ADC read communication occurs. When a data ready event occurs during a read communication, the most current ADC data is also latched to avoid data corruption issues. The three bytes of each channel are updated synchronously at a DRCLK rate. They can be accessed separately, if needed, but are refreshed synchronously.

REGISTER 9-1: CHANNEL REGISTER

R-0	R-0	R-0	R-0	R-0	R-0	R-0	R-0
DATA_CH0 <23> (MSB)	DATA_CH0 <22>	DATA_CH0 <21>	DATA_CH0 <20>	DATA_CH0 <19>	DATA_CH0 <18>	DATA_CH0 <17>	DATA_CH0 <16>
bit 23							bit 16

R-0	R-0	R-0	R-0	R-0	R-0	R-0	R-0
DATA_CH0 <15>	DATA_CH0 <14>	DATA_CH0 <13>	DATA_CH0 <12>	DATA_CH0 <11>	DATA_CH0 <10>	DATA_CH0 <9>	DATA_CH0 <8>
bit 15							bit 8

R-0	R-0	R-0	R-0	R-0	R-0	R-0	R-0
DATA_CH0 <7>	DATA_CH0 <6>	DATA_CH0 <5>	DATA_CH0 <4>	DATA_CH0 <3>	DATA_CH0 <2>	DATA_CH0 <1>	DATA_CH0 <0>
bit 7							bit 0

Legend:

R = Readable bit	W = Writable bit	U = Unimplemented bit, read as '0'
-n = Value at POR	'1' = Bit is set	'0' = Bit is cleared x = Bit is unknown

bit 23-0 **DATA_CH0:** Output code from ADC. This data is post-calibration if the EN_OFFCAL or EN_GAINCAL bits are enabled. This data can be formatted in 16-/24-/32-bit modes, depending on the WIDTH_DATA<1:0> settings. (See [Section 5.5 “ADC Output Coding”](#).)

MCP3918

9.2 MOD Register – Modulators Output Register

Name	Bits	Address	Cof.
MOD	24	0x08	R/W

The MOD register contains the most recent modulator data output and is updated at a DMCLK rate. The default value corresponds to an equivalent input of 0V on the ADC. Each bit in this register corresponds to one comparator output on one of the channels. This register should not be written to ensure ADC accuracy.

REGISTER 9-2: MOD REGISTER

U-0	U-0	U-0	U-0	U-0	U-0	U-0	U-0
—	—	—	—	—	—	—	—
bit 23							bit 16

U-0	U-0	U-0	U-0	U-0	U-0	U-0	U-0
—	—	—	—	—	—	—	—
bit 15							bit 8

R/W-0	R/W-0	R/W-0	R/W-0	R/W-0	R/W-0	R/W-1	R/W-1
—	—	—	—	COMP3_CH0	COMP2_CH0	COMP1_CH0	COMP0_CH0
bit 7							bit 0

Legend:

R = Readable bit	W = Writable bit	U = Unimplemented bit, read as '0'
-n = Value at POR	'1' = Bit is set	'0' = Bit is cleared
		x = Bit is unknown

bit 23-4 **Unimplemented:** Read as '0'
bit 3-0 **COMPn_CH0:** Comparator Outputs from ADC

9.3 PHASE Register – Phase Configuration Register

Any write to this register automatically resets and restarts the active ADC.

Name	Bits	Address	Cof.
PHASE	24	0x0A	R/W

REGISTER 9-3: PHASE REGISTER

U-0	U-0	U-0	U-0	U-0	U-0	U-0	U-0
—	—	—	—	—	—	—	—
bit 23							bit 16

U-0	U-0	U-0	U-0	R/W-0	R/W-0	R/W-0	R/W-0
—	—	—	—	PHASE<11>	PHASE<10>	PHASE<9>	PHASE<8>
bit 15							bit 8

R/W-0	R/W-0	R/W-0	R/W-0	R/W-0	R/W-0	R/W-0	R/W-0
PHASE<7>	PHASE<6>	PHASE<5>	PHASE<4>	PHASE<3>	PHASE<2>	PHASE<1>	PHASE<0>
bit 7							bit 0

Legend:

R = Readable bit	W = Writable bit	U = Unimplemented bit, read as '0'
-n = Value at POR	'1' = Bit is set	'0' = Bit is cleared
		x = Bit is unknown

bit 23-12 **Unimplemented:** Read as '0'

bit 11-0 **PHASE<11:0>** Conversion Start delay. Delay = (PHASE<11:0> decimal code + OSR/2)/DMCLK.

MCP3918

9.4 GAIN Register – PGA Gain Configuration Register

Name	Bits	Address	Cof.
GAIN	24	0x0B	R/W

REGISTER 9-4: GAIN REGISTER

U-0	U-0	U-0	U-0	U-0	U-0	U-0	U-0
—	—	—	—	—	—	—	—
bit 23						bit 16	

U-0	U-0	U-0	U-0	U-0	U-0	U-0	U-0
—	—	—	—	—	—	—	—
bit 15						bit 8	

U-0	U-0	U-0	U-0	U-0	R/W-0	R/W-0	R/W-0
—	—	—	—	—	PGA_CH0<2>	PGA_CH0<1>	PGA_CH0<0>
bit 7						bit 0	

Legend:

R = Readable bit	W = Writable bit	U = Unimplemented bit, read as '0'
-n = Value at POR	'1' = Bit is set	'0' = Bit is cleared
		x = Bit is unknown

bit 23-3	Unimplemented: Read as '0'
bit 2-0	PGA_CH0<2:0>: PGA Setting
111	= Reserved (Gain = 1)
110	= Reserved (Gain = 1)
101	= Gain is 32
100	= Gain is 16
011	= Gain is 8
010	= Gain is 4
001	= Gain is 2
000	= Gain is 1 (Default)

9.5 STATUSCOM Register - Status and Communication Register

Name	Bits	Address	Cof.
STATUSCOM	24	0x0C	R/W

REGISTER 9-5: STATUSCOM REGISTER

R/W-1	R/W-0	R/W-1	R/W-0	U-0	R/W-0	R/W-0	R/W-1
READ<1>	READ<0>	WRITE	$\overline{\text{DR_HIZ}}$	—	WIDTH_CRC	WIDTH_DATA<1>	WIDTH_DATA<0>
bit 23							bit 16

R/W-0	R/W-0	R/W-0	R/W-0	R/W-0	U-0	U-0	U-0
EN_CRCCOM	EN_INT	Reserved	Reserved	EN_MDAT	—	—	—
bit 15							bit 8

U-0	U-0	U-0	U-0	U-0	U-0	R-1	R-1
—	—	—	—	—	—	—	DRSTATUS<0>
bit 7							bit 0

Legend:

R = Readable bit	W = Writable bit	U = Unimplemented bit, read as '0'
-n = Value at POR	'1' = Bit is set	'0' = Bit is cleared
		x = Bit is unknown

- bit 23-22 **READ<1:0>**: Address counter increment setting for Read Communication
- 11 = Address counter auto-increments, loops on the entire register map
 - 10 = Address counter auto-increments, loops on register TYPES (DEFAULT)
 - 01 = Address counter auto-increments, loops on register GROUPS
 - 00 = Address not incremented, continually reads the same single-register address
- bit 21 **WRITE**: Address counter increment setting for Write Communication
- 1 = Address counter loops on writable part of the register map (Default)
 - 0 = Address not incremented, continually writes to the same single-register address
- bit 20 **$\overline{\text{DR_HIZ}}$** : Data Ready Pin Inactive State Control
- 1 = The $\overline{\text{DR}}$ pin state is a logic high when data is NOT ready
 - 0 = The $\overline{\text{DR}}$ pin state is high-impedance when data is NOT ready (Default)
- bit 19 **Unimplemented**: Read as '0'
- bit 18 **WIDTH_CRC** Format for CRC-16 on communications
- 1 = 32-bit (CRC-16 code is followed by sixteen zeros). This coding is compatible with CRC implementation in most 32-bit MCUs (including PIC32 MCUs).
 - 0 = 16-bit (default)
- bit 17-16 **WIDTH_DATA<1:0>**: ADC Data Format Settings for the ADC (see [Section 5.5 "ADC Output Coding"](#))
- 11 = 32-bit with sign extension
 - 10 = 32-bit with zeros padding
 - 01 = 24-bit (default)
 - 00 = 16-bit (with rounding)
- bit 15 **EN_CRCCOM**: Enable CRC CRC-16 Checksum on Serial communications
- 1 = CRC-16 Checksum is provided at the end of each communication sequence (therefore each communication is longer). The CRC-16 Message is the complete communication sequence (see section [Section 6.9 "Securing Read Communications through CRC-16 Checksum"](#) for more details).
 - 0 = Disabled (Default)

MCP3918

REGISTER 9-5: STATUSCOM REGISTER (CONTINUED)

- bit 14 **EN_INT:** Enable the CRCREG interrupt function
- 1 = The interrupt flag for the CRCREG checksum verification is enabled. The Data Ready pin (\overline{DR}) will become logic low and stays logic low if a CRCREG checksum error happens. This interrupt is cleared if the LOCK<7:0> value is made equal to the PASSWORD value (0xA5).
 - 0 = The interrupt flag for the CRCREG checksum verification is disabled. The CRCREG<15:0> bits are still calculated properly and can still be read in this mode.
- bit 13-12 **Reserved:** These bits should be kept equal to '0' at all times.
- bit 11 **EN_MDAT:** Enable Modulator Output
- 1 = MDAT0 output is enabled
 - 0 = MDAT0 output is disabled (DEFAULT)
- bit 10-1 **Unimplemented:** Read as '0'
- bit 0 **DRSTATUS:** Data Ready status bit
- DRSTATUS = 1 - Channel CH0 data is not ready (DEFAULT)
 - DRSTATUS = 0 - Channel CH0 data is ready. The status bit is set back to '1' after reading the STATUSCOM register. The status bit is not set back to '1' by the read of the corresponding channel ADC data.

9.6 CONFIG0 Register - Configuration Register 0

Name	Bits	Address	Cof.
CONFIG0	24	0x0D	R/W

REGISTER 9-6: CONFIG0 REGISTER

R/W-0	R/W-0	R/W-1	R/W-1	R/W-1	R/W-0	R/W-0	R/W-0
EN_OFFCAL	EN_GAINCAL	DITHER<1>	DITHER<0>	BOOST<1>	BOOST<0>	PRE<1>	PRE<0>
bit 23							bit 16

R/W-0	R/W-1	R/W-1	U-0	U-0	U-0	U-0	U-0
OSR<2>	OSR<1>	OSR<0>	—	—	—	—	—
bit 15							bit 8

R/W-0	R/W-1	R/W-0	R/W-1	R/W-0	R/W-0	R/W-0	R/W-0
VREFCAL<7>	VREFCAL<6>	VREFCAL<5>	VREFCAL<4>	VREFCAL<3>	VREFCAL<2>	VREFCAL<1>	VREFCAL<0>
bit 7							bit 0

Legend:

R = Readable bit	W = Writable bit	U = Unimplemented bit, read as '0'
-n = Value at POR	'1' = Bit is set	'0' = Bit is cleared
		x = Bit is unknown

- bit 23 **EN_OFFCAL:** Enables the 24-bit digital offset error calibration on all channels
- 1 = Enabled. This mode does not add any group delay to the ADC data.
 - 0 = Disabled (Default)
- bit 22 **EN_GAINCAL:** Enables or disables the 24-bit digital gain error calibration on all channels
- 1 = Enabled. This mode adds a group delay on all channels of 24 DMCLK periods. All Data Ready pulses are delayed by 24 clock periods, compared to the mode with EN_GAINCAL = 0.
 - 0 = Disabled (Default)
- bit 21-20 **DITHER<1:0>:** Control for dithering circuit for idle tones cancellation and improved THD on all channels
- 11 = Dithering ON, Strength = Maximum (Default)
 - 10 = Dithering ON, Strength = Medium
 - 01 = Dithering ON, Strength = Minimum
 - 00 = Dithering turned OFF
- bit 19-18 **BOOST<1:0>:** Bias Current Selection for the ADC (impacts achievable maximum sampling speed, see [Table 5-2](#))
- 11 = All channels have current x 2
 - 10 = All channels have current x 1 (Default)
 - 01 = All channels have current x 0.66
 - 00 = All channels have current x 0.5
- bit 17-16 **PRE<1:0>** Analog Master Clock (AMCLK) Prescaler Value
- 11 = AMCLK = MCLK/8
 - 10 = AMCLK = MCLK/4
 - 01 = AMCLK = MCLK/2
 - 00 = AMCLK = MCLK (Default)

MCP3918

REGISTER 9-6: CONFIG0 REGISTER (CONTINUED)

bit 15-13	OSR<2:0> Oversampling Ratio for delta-sigma A/D Conversion (ALL CHANNELS, f_D/f_S)
111	= 4096 (f_D = 244 sps for MCLK = 4 MHz, f_S = AMCLK = 1 MHz)
110	= 2048 (f_D = 488 sps for MCLK = 4 MHz, f_S = AMCLK = 1 MHz)
101	= 1024 (f_D = 976 sps for MCLK = 4 MHz, f_S = AMCLK = 1 MHz)
100	= 512 (f_D = 1.953 ksps for MCLK = 4 MHz, f_S = AMCLK = 1 MHz)
011	= 256 (f_D = 3.90625 ksps for MCLK = 4 MHz, f_S = AMCLK = 1 MHz) (Default)
010	= 128 (f_D = 7.8125 ksps for MCLK = 4 MHz, f_S = AMCLK = 1 MHz)
001	= 64 (f_D = 15.625 ksps for MCLK = 4 MHz, f_S = AMCLK = 1 MHz)
000	= 32 (f_D = 31.25 ksps for MCLK = 4 MHz, f_S = AMCLK = 1 MHz)
bit 12-8	Unimplemented: Read as '0'
bit 7-0	VREFCAL<7:0> : Internal Voltage Temperature coefficient VREFCAL<7:0> value. (See Section 5.6.3 "Temperature Compensation (VREFCAL<7:0>)" for complete description).

9.7 CONFIG1 Register – Configuration Register 1

Name	Bits	Address	Cof.
CONFIG1	24	0x0E	R/W

REGISTER 9-7: CONFIG1 REGISTER

U-0	U-0	U-0	U-0	U-0	U-0	U-0	R/W-0
—	—	—	—	—	—	—	RESET<0>
bit 23							bit 16

U-0	U-0	U-0	U-0	U-0	U-0	U-0	R/W-0
—	—	—	—	—	—	—	SHUTDOWN<0>
bit 15							bit 8

R/W-0	R/W-1	U-0	U-0	U-0	U-0	U-0	U-0
VREFEXT	CLKEXT	—	—	—	—	—	—
bit 7							bit 0

Legend:

R = Readable bit	W = Writable bit	U = Unimplemented bit, read as '0'
-n = Value at POR	'1' = Bit is set	'0' = Bit is cleared
		x = Bit is unknown

bit 23-17 **Unimplemented:** Read as '0'

bit 16 **RESET<0>:** Soft Reset mode setting for the ADC
 = ADC Channel in Soft Reset mode
 = ADC Channel not in Soft Reset mode

bit 15-9 **Unimplemented:** Read as '0'

bit 8 **SHUTDOWN<0>:** Shutdown mode setting for the ADC
 = ADC Channel in Shutdown mode
 = ADC Channel not in Shutdown mode

bit 7 **VREFEXT:** Internal Voltage Reference selection bit

1 = Internal Voltage Reference Disabled. An external reference voltage needs to be applied across the REFIN+/- pins. The analog power consumption (A_{IDD}) is slightly diminished in this mode since the internal voltage reference is placed in Shutdown mode.

0 = Internal Reference enabled. For optimal accuracy, the REFIN+/OUT pin needs proper decoupling capacitors. REFIN- pin should be connected to A_{GND} , when in this mode.

bit 6 **CLKEXT:** Internal Clock selection bit

1 = MCLK is generated externally and should be provided on OSC1 pin: the crystal oscillator is disabled and consumes no current (Default)

0 = Crystal oscillator enabled. A crystal must be placed between OSC1 and OSC2 with proper decoupling capacitors. The digital power consumption (D_{IDD}) is increased in this mode due to the oscillator.

bit 5-0 **Unimplemented:** Read as '0'

MCP3918

9.8 OFFCAL_CH0 and GAINCAL_CH0 Registers – Digital Offset And Gain Error Calibration Registers

Name	Bits	Address	Cof.
OFFCAL_CH0	24	0x0F	R/W
GAINCAL_CH0	24	0x10	R/W

REGISTER 9-8: OFFCAL_CH0 REGISTER

R/W-0	R/W-0	R/W-0	...	R/W-0	R/W-0	R/W-0	R/W-0
OFFCAL_CH0 <23>	OFFCAL_CH0 <22>	OFFCAL_CH0 <21>	...	OFFCAL_CH0 <3>	OFFCAL_CH0 <2>	OFFCAL_CH0 <1>	OFFCAL_CH0 <0>
bit 23							bit 0

Legend:

R = Readable bit W = Writable bit U = Unimplemented bit, read as '0'
 -n = Value at POR '1' = Bit is set '0' = Bit is cleared x = Bit is unknown

bit 23-0 **OFFCAL_CH0:** Digital Offset calibration value for the corresponding channel CH0. This register is simply added to the output code of the channel bit by bit. This register is 24-bit two's complement MSB first coding. CH0 Output Code = OFFCAL_CH0 + ADC CH0 Output Code. This register is a Don't Care if EN_OFFCAL = 0 (Offset calibration disabled), but its value is not cleared by the EN_OFFCAL bit.

REGISTER 9-9: GAINCAL_CH0 REGISTER

R/W-0	R/W-0	R/W-0	...	R/W-0	R/W-0	R/W-0	R/W-0
GAINCAL_CH0 <23>	GAIN- CAL_CH0<22>	GAINCAL_CH0 <21>	...	GAINCAL_CH0 <3>	GAINCAL_CH0 <2>	GAINCAL_CH0 <1>	GAINCAL_CH0 <0>
bit 23							bit 0

Legend:

R = Readable bit W = Writable bit U = Unimplemented bit, read as '0'
 -n = Value at POR '1' = Bit is set '0' = Bit is cleared x = Bit is unknown

bit 23-0 **GAINCAL_CH0:** Digital gain error calibration value for the corresponding channel CH0. This register is signed 24-bit MSB first format with a range of -1x to +0.9999999x (from 0x80000 to 0x7FFFFFF). The gain calibration adds 1x to this register and multiplies it to the output code of the channel bit by bit, after offset calibration. The range of the gain calibration is thus from 0x to 1.9999999x (from 0x80000 to 0x7FFFFFF). The LSB corresponds to a 2^{-23} increment in the multiplier.
 ADC Output Code = (GAINCAL_CH0+1)*ADC CH0 Output Code. This register is a Don't Care if EN_GAINCAL = 0 (Gain calibration disabled) but its value is not cleared by the EN_GAINCAL bit.

9.9 SECURITY Register – Password and CRC-16 on Register Map

Name	Bits	Address	Cof.
LOCK/CRC	24	0x1F	R/W

REGISTER 9-10: LOCK/CRC REGISTER

R/W-1	R/W-0	R/W-1	R/W-0	R/W-0	R/W-1	R/W-0	R/W-1
LOCK<7>	LOCK<6>	LOCK<5>	LOCK<4>	LOCK<3>	LOCK<2>	LOCK<1>	LOCK<0>
bit 23							bit 16

R/W-0	R/W-0	R/W-0	R/W-0	R/W-0	R/W-0	R/W-0	R/W-0
CRCREG<15>	CRCREG<14>	CRCREG<13>	CRCREG<12>	CRCREG<11>	CRCREG<10>	CRCREG<9>	CRCREG<8>
bit 15							bit 8

R/W-0	R/W-0	R/W-0	R/W-0	R/W-0	R/W-0	R/W-0	R/W-0
CRCREG<7>	CRCREG<6>	CRCREG<5>	CRCREG<4>	CRCREG<3>	CRCREG<2>	CRCREG<1>	CRCREG<0>
bit 7							bit 0

Legend:

R = Readable bit	W = Writable bit	U = Unimplemented bit, read as '0'
-n = Value at POR	'1' = Bit is set	'0' = Bit is cleared x = Bit is unknown

- bit 23-16 **LOCKn<7:0>**: Lock Code for the writable part of the register map
 LOCK<7:0> = PASSWORD = 0xA5 (Default value): The entire register map is writable. The CRCREG<15:0> bits and the CRC Interrupt are cleared. No CRC-16 checksum on register map is calculated.
 LOCK<7:0> different from 0xA5: The only writable register is the LOCK/CRC register. All other registers will appear as undefined while in this mode. The CRCREG checksum is calculated continuously and can generate interrupts if the CRC Interrupt EN_INT bit has been enabled. If a write to a register needs to be performed, the user needs to unlock the register map beforehand, by writing 0xA5 to the LOCK<7:0> bits.
- bit 15-0 **CRCREG<15:0>**: CRC-16 Checksum that is calculated with the writable part of the register map as a message. This is a read-only 16-bit code. This checksum is continuously recalculated and updated every 10 DMCLK periods. It is reset to its default value (0x0000) when LOCK<7:0> = 0xA5.

MCP3918

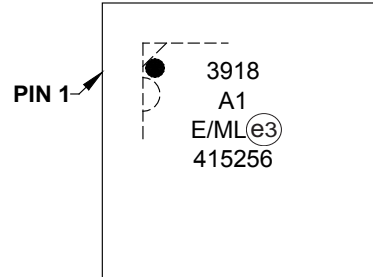
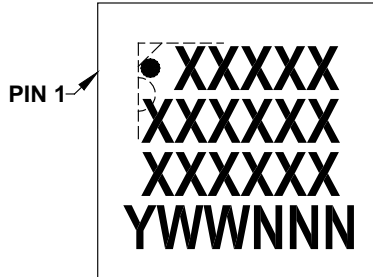
NOTES:

10.0 PACKAGING INFORMATION

10.1 Package Marking Information

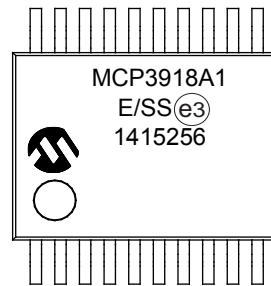
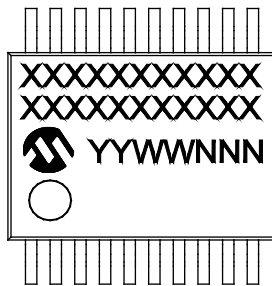
20-Lead QFN (4x4x0.9 mm)

Example



20-Lead SSOP (5.30 mm)

Example



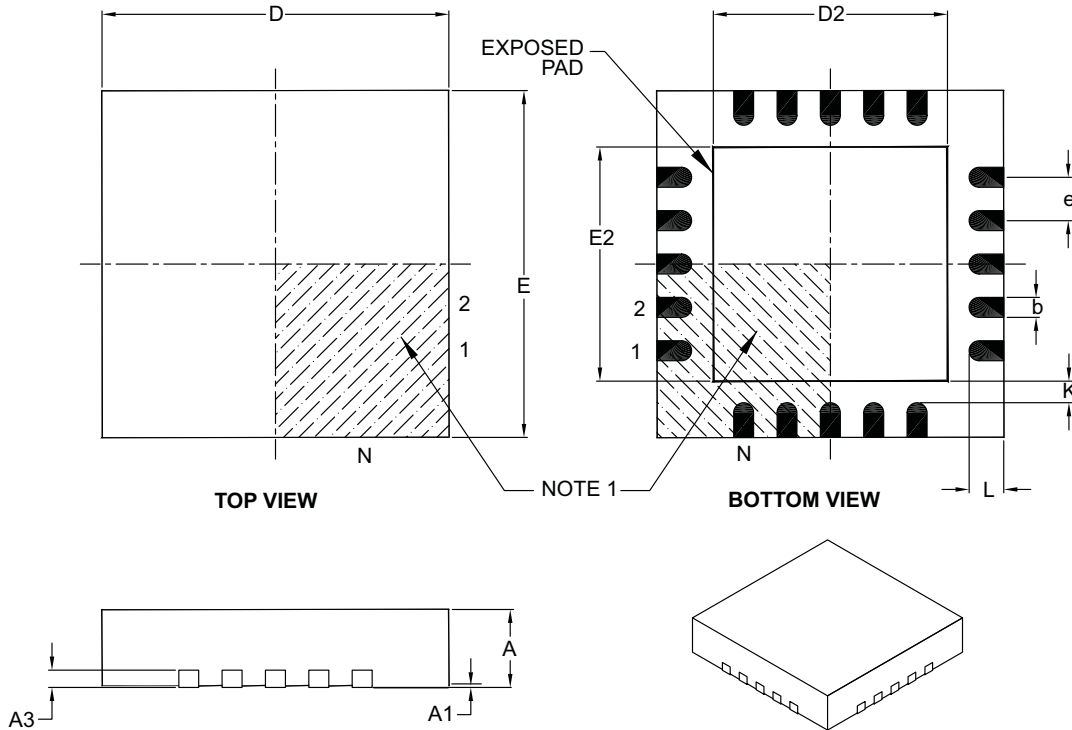
Legend:	XX...X	Customer-specific information
	Y	Year code (last digit of calendar year)
	YY	Year code (last 2 digits of calendar year)
	WW	Week code (week of January 1 is week '01')
	NNN	Alphanumeric traceability code
	(e3)	Pb-free JEDEC designator for Matte Tin (Sn)
	*	This package is Pb-free. The Pb-free JEDEC designator (e3) can be found on the outer packaging for this package.

Note: In the event the full Microchip part number cannot be marked on one line, it will be carried over to the next line, thus limiting the number of available characters for customer-specific information.

MCP3918

20-Lead Plastic Quad Flat, No Lead Package (ML) – 4x4x0.9 mm Body [QFN]

Note: For the most current package drawings, please see the Microchip Packaging Specification located at <http://www.microchip.com/packaging>



Dimension Limits	Units	MILLIMETERS		
		MIN	NOM	MAX
Number of Pins	N	20		
Pitch	e	0.50 BSC		
Overall Height	A	0.80	0.90	1.00
Standoff	A1	0.00	0.02	0.05
Contact Thickness	A3	0.20 REF		
Overall Width	E	4.00 BSC		
Exposed Pad Width	E2	2.60	2.70	2.80
Overall Length	D	4.00 BSC		
Exposed Pad Length	D2	2.60	2.70	2.80
Contact Width	b	0.18	0.25	0.30
Contact Length	L	0.30	0.40	0.50
Contact-to-Exposed Pad	K	0.20	-	-

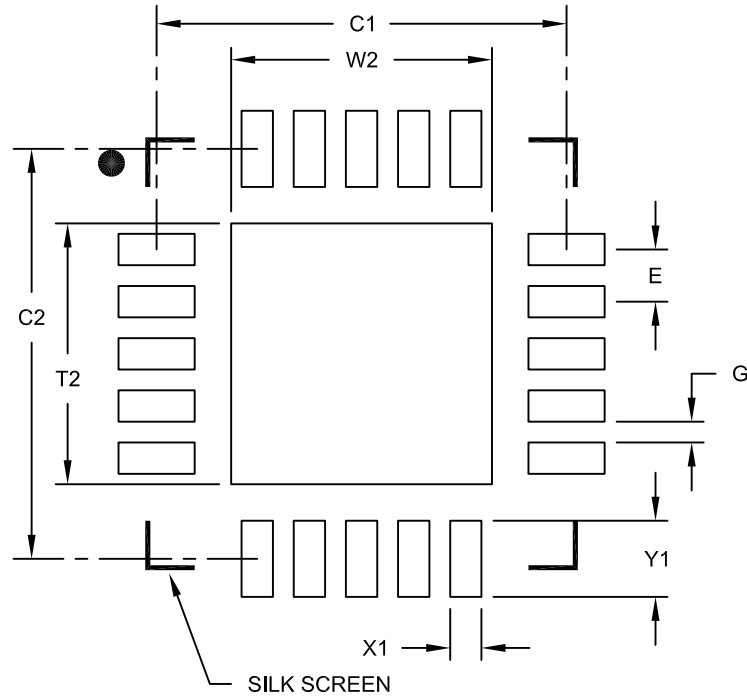
Notes:

- Pin 1 visual index feature may vary, but must be located within the hatched area.
- Package is saw singulated.
- Dimensioning and tolerancing per ASME Y14.5M.
 BSC: Basic Dimension. Theoretically exact value shown without tolerances.
 REF: Reference Dimension, usually without tolerance, for information purposes only.

Microchip Technology Drawing C04-126B

20-Lead Plastic Quad Flat, No Lead Package (ML) - 4x4 mm Body [QFN] With 0.40 mm Contact Length

Note: For the most current package drawings, please see the Microchip Packaging Specification located at <http://www.microchip.com/packaging>



RECOMMENDED LAND PATTERN

Dimension Limits	Units	MILLIMETERS		
		MIN	NOM	MAX
Contact Pitch	E	0.50 BSC		
Optional Center Pad Width	W2			2.50
Optional Center Pad Length	T2			2.50
Contact Pad Spacing	C1		3.93	
Contact Pad Spacing	C2		3.93	
Contact Pad Width	X1			0.30
Contact Pad Length	Y1			0.73
Distance Between Pads	G	0.20		

Notes:

1. Dimensioning and tolerancing per ASME Y14.5M

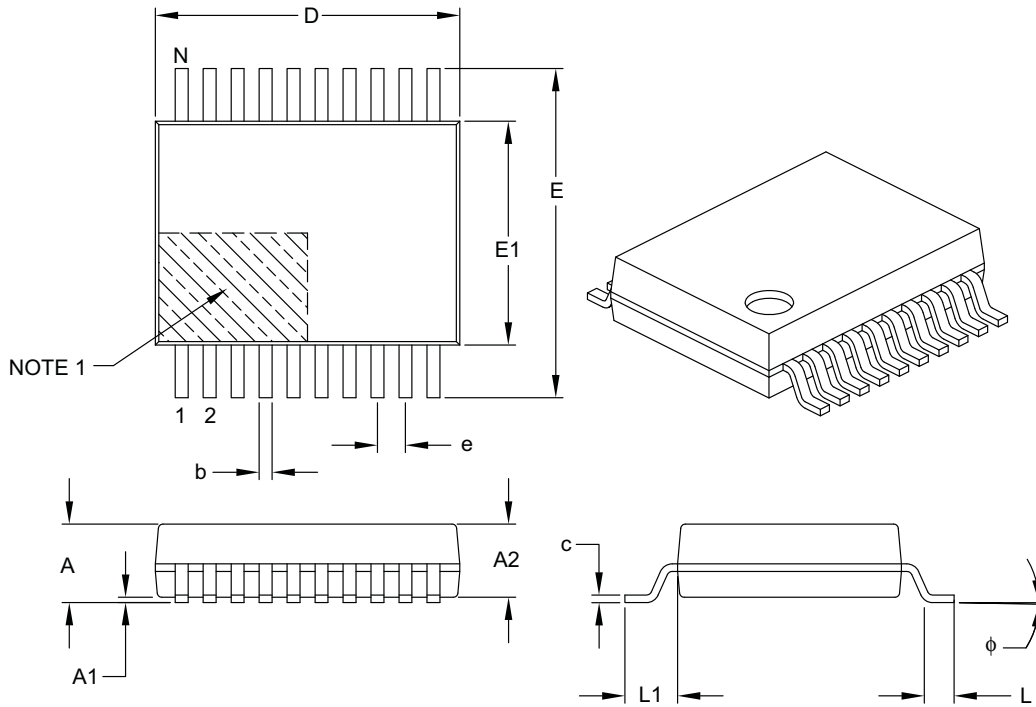
BSC: Basic Dimension. Theoretically exact value shown without tolerances.

Microchip Technology Drawing No. C04-2126A

MCP3918

20-Lead Plastic Shrink Small Outline (SS) – 5.30 mm Body [SSOP]

Note: For the most current package drawings, please see the Microchip Packaging Specification located at <http://www.microchip.com/packaging>



Dimension Limits	Units	MILLIMETERS		
		MIN	NOM	MAX
Number of Pins	N	20		
Pitch	e	0.65 BSC		
Overall Height	A	–	–	2.00
Molded Package Thickness	A2	1.65	1.75	1.85
Standoff	A1	0.05	–	–
Overall Width	E	7.40	7.80	8.20
Molded Package Width	E1	5.00	5.30	5.60
Overall Length	D	6.90	7.20	7.50
Foot Length	L	0.55	0.75	0.95
Footprint	L1	1.25 REF		
Lead Thickness	c	0.09	–	0.25
Foot Angle	ϕ	0°	4°	8°
Lead Width	b	0.22	–	0.38

Notes:

- Pin 1 visual index feature may vary, but must be located within the hatched area.
- Dimensions D and E1 do not include mold flash or protrusions. Mold flash or protrusions shall not exceed 0.20 mm per side.
- Dimensioning and tolerancing per ASME Y14.5M.

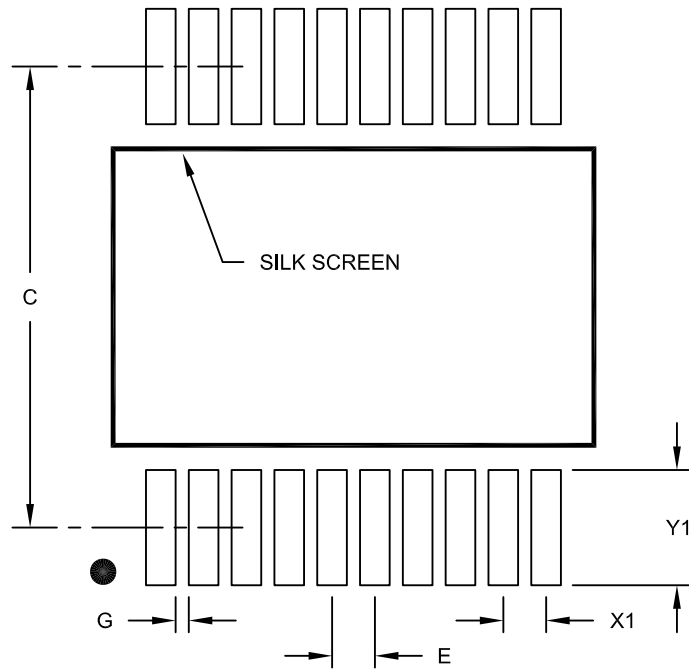
BSC: Basic Dimension. Theoretically exact value shown without tolerances.

REF: Reference Dimension, usually without tolerance, for information purposes only.

Microchip Technology Drawing C04-072B

20-Lead Plastic Shrink Small Outline (SS) - 5.30 mm Body [SSOP]

Note: For the most current package drawings, please see the Microchip Packaging Specification located at <http://www.microchip.com/packaging>



RECOMMENDED LAND PATTERN

Dimension Limits	Units	MILLIMETERS		
		MIN	NOM	MAX
Contact Pitch	E	0.65 BSC		
Contact Pad Spacing	C		7.20	
Contact Pad Width (X20)	X1			0.45
Contact Pad Length (X20)	Y1			1.75
Distance Between Pads	G	0.20		

Notes:

1. Dimensioning and tolerancing per ASME Y14.5M

BSC: Basic Dimension. Theoretically exact value shown without tolerances.

Microchip Technology Drawing No. C04-2072A

MCP3918

NOTES:

APPENDIX A: REVISION HISTORY

Revision A (May 2014)

- Original Release of this Document.

PRODUCT IDENTIFICATION SYSTEM

To order or obtain information, e.g., on pricing or delivery, refer to the factory or the listed sales office.

<u>PART NO.</u>	<u>XX</u>	<u>X</u>	<u>X</u>	<u>XX</u>																
Device	Address Options	Tape and Reel	Temperature Range	Package																
<p>Device: MCP3918A1: One Channel Analog Front End Converter</p>																				
<p>Address Options:</p> <table border="1"> <thead> <tr> <th>XX</th> <th>A6</th> <th>A5</th> </tr> </thead> <tbody> <tr> <td>A0</td> <td>= 0</td> <td>0</td> </tr> <tr> <td>A1*</td> <td>= 0</td> <td>1</td> </tr> <tr> <td>A2</td> <td>= 1</td> <td>0</td> </tr> <tr> <td>A3</td> <td>= 1</td> <td>1</td> </tr> </tbody> </table> <p>* Default option. Contact Microchip factory for other address options</p>						XX	A6	A5	A0	= 0	0	A1*	= 0	1	A2	= 1	0	A3	= 1	1
XX	A6	A5																		
A0	= 0	0																		
A1*	= 0	1																		
A2	= 1	0																		
A3	= 1	1																		
<p>Tape and Reel: T = Tape and Reel</p>																				
<p>Temperature Range: E = -40°C to +125°C</p>																				
<p>Package:</p> <p>ML = 20-Lead Plastic Quad Flat, No Lead Package – 4x4 mm Body with 0.40 mm Contact Length (QFN)</p> <p>SS = 20-Lead Plastic Shrink Small Outline – 5.30 mm Body (SSOP)</p>																				
<p>Examples:</p> <p>a) MCP3918A1-E/ML: Address Option A1, Extended Temperature, 20LD QFN package</p> <p>b) MCP3918A1T-E/ML: Address Option A1, Tape and Reel, Extended Temperature, 20LD QFN package</p> <p>a) MCP3918A1-E/SS: Address Option A1, Extended Temperature, 20LD SSOP package</p> <p>b) MCP3918A1T-E/SS: Address Option A1, Tape and Reel, Extended Temperature, 20LD SSOP package</p>																				

Note the following details of the code protection feature on Microchip devices:

- Microchip products meet the specification contained in their particular Microchip Data Sheet.
- Microchip believes that its family of products is one of the most secure families of its kind on the market today, when used in the intended manner and under normal conditions.
- There are dishonest and possibly illegal methods used to breach the code protection feature. All of these methods, to our knowledge, require using the Microchip products in a manner outside the operating specifications contained in Microchip's Data Sheets. Most likely, the person doing so is engaged in theft of intellectual property.
- Microchip is willing to work with the customer who is concerned about the integrity of their code.
- Neither Microchip nor any other semiconductor manufacturer can guarantee the security of their code. Code protection does not mean that we are guaranteeing the product as “unbreakable.”

Code protection is constantly evolving. We at Microchip are committed to continuously improving the code protection features of our products. Attempts to break Microchip's code protection feature may be a violation of the Digital Millennium Copyright Act. If such acts allow unauthorized access to your software or other copyrighted work, you may have a right to sue for relief under that Act.

Information contained in this publication regarding device applications and the like is provided only for your convenience and may be superseded by updates. It is your responsibility to ensure that your application meets with your specifications. MICROCHIP MAKES NO REPRESENTATIONS OR WARRANTIES OF ANY KIND WHETHER EXPRESS OR IMPLIED, WRITTEN OR ORAL, STATUTORY OR OTHERWISE, RELATED TO THE INFORMATION, INCLUDING BUT NOT LIMITED TO ITS CONDITION, QUALITY, PERFORMANCE, MERCHANTABILITY OR FITNESS FOR PURPOSE. Microchip disclaims all liability arising from this information and its use. Use of Microchip devices in life support and/or safety applications is entirely at the buyer's risk, and the buyer agrees to defend, indemnify and hold harmless Microchip from any and all damages, claims, suits, or expenses resulting from such use. No licenses are conveyed, implicitly or otherwise, under any Microchip intellectual property rights.

Trademarks

The Microchip name and logo, the Microchip logo, dsPIC, FlashFlex, KEELOQ, KEELOQ logo, MPLAB, PIC, PICmicro, PICSTART, PIC³² logo, rPIC, SST, SST Logo, SuperFlash and UNI/O are registered trademarks of Microchip Technology Incorporated in the U.S.A. and other countries.

FilterLab, Hampshire, HI-TECH C, Linear Active Thermistor, MTP, SEEVAL and The Embedded Control Solutions Company are registered trademarks of Microchip Technology Incorporated in the U.S.A.

Silicon Storage Technology is a registered trademark of Microchip Technology Inc. in other countries.


Analog-for-the-Digital Age, Application Maestro, BodyCom, chipKIT, chipKIT logo, CodeGuard, dsPICDEM, dsPICDEM.net, dsPICworks, dsSPEAK, ECAN, ECONOMONITOR, FanSense, HI-TIDE, In-Circuit Serial Programming, ICSP, Mindi, MiWi, MPASM, MPF, MPLAB Certified logo, MPLIB, MPLINK, mTouch, Omniclient Code Generation, PICC, PICC-18, PICDEM, PICDEM.net, PICkit, PICtail, REAL ICE, rFLAB, Select Mode, SQI, Serial Quad I/O, Total Endurance, TSHARC, UniWinDriver, WiperLock, ZENA and Z-Scale are trademarks of Microchip Technology Incorporated in the U.S.A. and other countries.

SQTP is a service mark of Microchip Technology Incorporated in the U.S.A.

GestIC and ULPP are registered trademarks of Microchip Technology Germany II GmbH & Co. KG, a subsidiary of Microchip Technology Inc., in other countries.

All other trademarks mentioned herein are property of their respective companies.

© 2014, Microchip Technology Incorporated, Printed in the U.S.A., All Rights Reserved.

 Printed on recycled paper.

ISBN: 978-1-63276-214-6

QUALITY MANAGEMENT SYSTEM
CERTIFIED BY DNV
== ISO/TS 16949 ==

Microchip received ISO/TS-16949:2009 certification for its worldwide headquarters, design and wafer fabrication facilities in Chandler and Tempe, Arizona; Gresham, Oregon and design centers in California and India. The Company's quality system processes and procedures are for its PIC[®] MCUs and dsPIC[®] DSCs, KEELOQ[®] code hopping devices, Serial EEPROMs, microperipherals, nonvolatile memory and analog products. In addition, Microchip's quality system for the design and manufacture of development systems is ISO 9001:2000 certified.



MICROCHIP

Worldwide Sales and Service

AMERICAS

Corporate Office
2355 West Chandler Blvd.
Chandler, AZ 85224-6199
Tel: 480-792-7200
Fax: 480-792-7277
Technical Support:
<http://www.microchip.com/support>
Web Address:
www.microchip.com

Atlanta
Duluth, GA
Tel: 678-957-9614
Fax: 678-957-1455

Austin, TX
Tel: 512-257-3370

Boston
Westborough, MA
Tel: 774-760-0087
Fax: 774-760-0088

Chicago
Itasca, IL
Tel: 630-285-0071
Fax: 630-285-0075

Cleveland
Independence, OH
Tel: 216-447-0464
Fax: 216-447-0643

Dallas
Addison, TX
Tel: 972-818-7423
Fax: 972-818-2924

Detroit
Novi, MI
Tel: 248-848-4000

Houston, TX
Tel: 281-894-5983

Indianapolis
Noblesville, IN
Tel: 317-773-8323
Fax: 317-773-5453

Los Angeles
Mission Viejo, CA
Tel: 949-462-9523
Fax: 949-462-9608

New York, NY
Tel: 631-435-6000

San Jose, CA
Tel: 408-735-9110

Canada - Toronto
Tel: 905-673-0699
Fax: 905-673-6509

ASIA/PACIFIC

Asia Pacific Office
Suites 3707-14, 37th Floor
Tower 6, The Gateway
Harbour City, Kowloon
Hong Kong
Tel: 852-2943-5100
Fax: 852-2401-3431

Australia - Sydney
Tel: 61-2-9868-6733
Fax: 61-2-9868-6755

China - Beijing
Tel: 86-10-8569-7000
Fax: 86-10-8528-2104

China - Chengdu
Tel: 86-28-8665-5511
Fax: 86-28-8665-7889

China - Chongqing
Tel: 86-23-8980-9588
Fax: 86-23-8980-9500

China - Hangzhou
Tel: 86-571-8792-8115
Fax: 86-571-8792-8116

China - Hong Kong SAR
Tel: 852-2943-5100
Fax: 852-2401-3431

China - Nanjing
Tel: 86-25-8473-2460
Fax: 86-25-8473-2470

China - Qingdao
Tel: 86-532-8502-7355
Fax: 86-532-8502-7205

China - Shanghai
Tel: 86-21-5407-5533
Fax: 86-21-5407-5066

China - Shenyang
Tel: 86-24-2334-2829
Fax: 86-24-2334-2393

China - Shenzhen
Tel: 86-755-8864-2200
Fax: 86-755-8203-1760

China - Wuhan
Tel: 86-27-5980-5300
Fax: 86-27-5980-5118

China - Xian
Tel: 86-29-8833-7252
Fax: 86-29-8833-7256

China - Xiamen
Tel: 86-592-2388138
Fax: 86-592-2388130

China - Zhuhai
Tel: 86-756-3210040
Fax: 86-756-3210049

ASIA/PACIFIC

India - Bangalore
Tel: 91-80-3090-4444
Fax: 91-80-3090-4123

India - New Delhi
Tel: 91-11-4160-8631
Fax: 91-11-4160-8632

India - Pune
Tel: 91-20-3019-1500

Japan - Osaka
Tel: 81-6-6152-7160
Fax: 81-6-6152-9310

Japan - Tokyo
Tel: 81-3-6880-3770
Fax: 81-3-6880-3771

Korea - Daegu
Tel: 82-53-744-4301
Fax: 82-53-744-4302

Korea - Seoul
Tel: 82-2-554-7200
Fax: 82-2-558-5932 or
82-2-558-5934

Malaysia - Kuala Lumpur
Tel: 60-3-6201-9857
Fax: 60-3-6201-9859

Malaysia - Penang
Tel: 60-4-227-8870
Fax: 60-4-227-4068

Philippines - Manila
Tel: 63-2-634-9065
Fax: 63-2-634-9069

Singapore
Tel: 65-6334-8870
Fax: 65-6334-8850

Taiwan - Hsin Chu
Tel: 886-3-5778-366
Fax: 886-3-5770-955

Taiwan - Kaohsiung
Tel: 886-7-213-7830

Taiwan - Taipei
Tel: 886-2-2508-8600
Fax: 886-2-2508-0102

Thailand - Bangkok
Tel: 66-2-694-1351
Fax: 66-2-694-1350

EUROPE

Austria - Wels
Tel: 43-7242-2244-39
Fax: 43-7242-2244-393

Denmark - Copenhagen
Tel: 45-4450-2828
Fax: 45-4485-2829

France - Paris
Tel: 33-1-69-53-63-20
Fax: 33-1-69-30-90-79

Germany - Dusseldorf
Tel: 49-2129-3766400

Germany - Munich
Tel: 49-89-627-144-0
Fax: 49-89-627-144-44

Germany - Pforzheim
Tel: 49-7231-424750

Italy - Milan
Tel: 39-0331-742611
Fax: 39-0331-466781

Italy - Venice
Tel: 39-049-7625286

Netherlands - Drunen
Tel: 31-416-690399
Fax: 31-416-690340

Poland - Warsaw
Tel: 48-22-3325737

Spain - Madrid
Tel: 34-91-708-08-90
Fax: 34-91-708-08-91

Sweden - Stockholm
Tel: 46-8-5090-4654

UK - Wokingham
Tel: 44-118-921-5800
Fax: 44-118-921-5820

03/25/14