

# ENERGIZER CR1216

## Lithium Coin

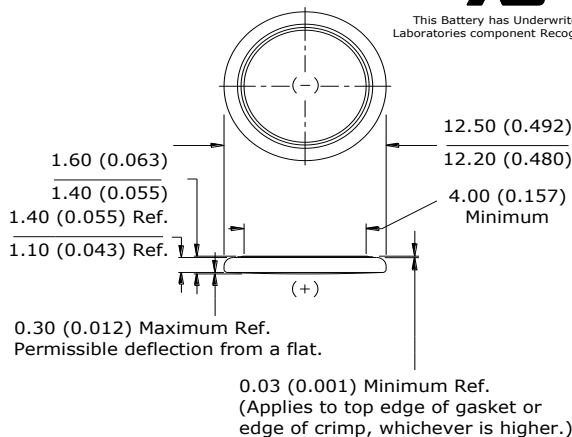


### Industry Standard Dimensions

mm (inches)



This Battery has Underwriters Laboratories component Recognition



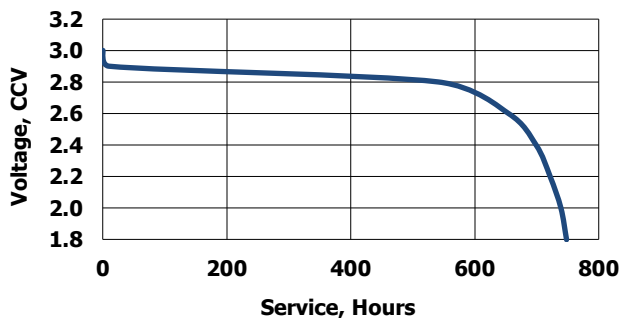
### Simulated Application test

Typical Performance at 21°C (70°F)

Schedule:	Typical Drains: at 2.85V (mA)	Load (ohms)	Cutoff 2.0V (hours)
Continuous	0.046	62,000	739

### Typical Discharge Characteristics

Load: 62,000 ohms - Continuous  
Typical Drain @ 2.85V: 0.046 mA

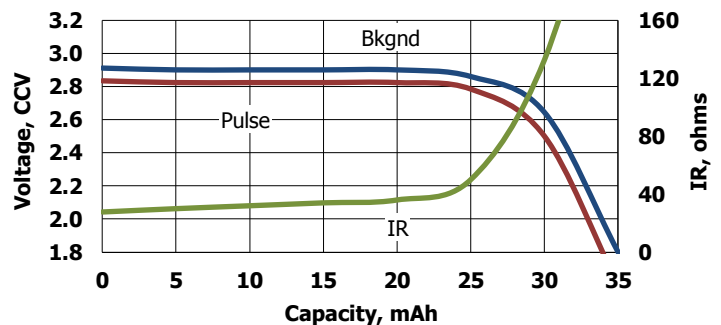


### Internal Resistance Characteristics

Pulse Test at 21°C (70°F)

**Bkgnd Drain:** Continuous  
62K ohms  
0.046 mA @2.85V

**Pulse Drain:** 2 seconds X 12 times/day  
1K ohms  
2.8 mA @2.8V



### Important Notice

This datasheet contains typical information specific to products manufactured at the time of its publication.  
©Energizer Holdings, Inc. - Contents herein do not constitute a warranty.

- Classification:** "Lithium Coin"
- Chemical System:** Lithium / Manganese Dioxide (Li/MnO<sub>2</sub>)
- Designation:** ANSI-5034LC, IEC-CR1216
- Nominal Voltage:** 3.0 Volts
- Typical Capacity:** 34 mAh (to 2.0 volts)  
(Rated at 62K ohms at 21°C)
- Typical Weight:** 0.6 grams (0.02 oz.)
- Typical Volume:** 0.2 cubic centimeters (0.01 cubic inch)
- Max Rev Charge:** 1 microampere
- Energy Density:** 118 milliwatt hr/g, 413 milliwatt hr/cc
- Typical Li Content:** 0.008 grams (0.0003 oz.)
- UL Listed:** MH29980

### Safety:



**(1) KEEP OUT OF REACH OF CHILDREN.** Swallowing may lead to serious injury or death in as little as 2 hours due to chemical burns and potential perforation of the esophagus. **Immediately see doctor; have doctor phone (202) 625-3333.**

**(2) Battery compartment design.** To prevent children from removing batteries, battery compartments should be designed with one of the following methods: a) a tool such as screwdriver or coin is required to open battery compartment or b) the battery compartment door/cover requires the application of a minimum of two independent and simultaneous movements of the securing mechanism to open by hand. Screws should remain captive with the battery door or cover.