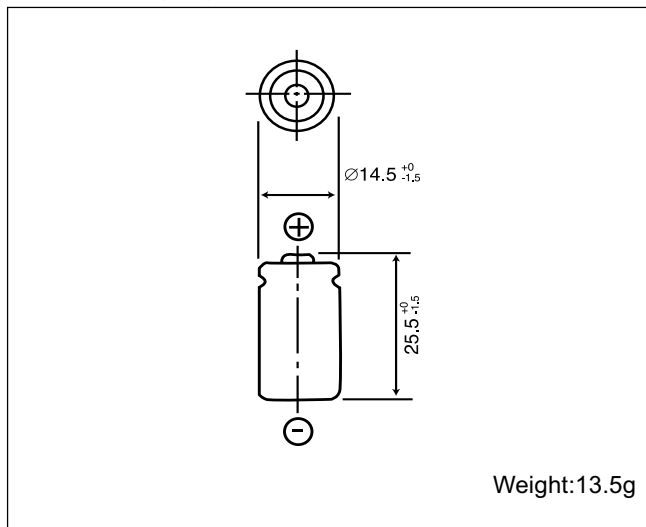


Poly-carbonmonofluoride Lithium Batteries: Individual Specifications

BR-1/2AA

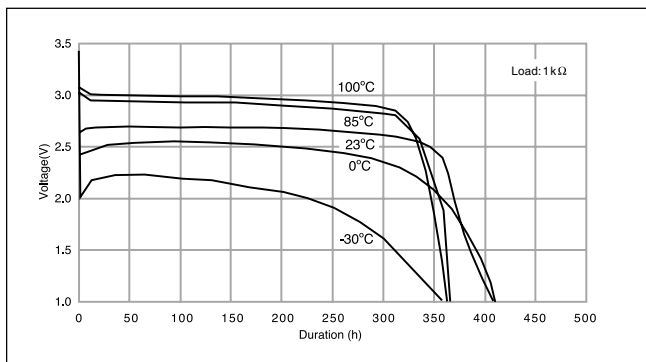
■ Dimensions(mm)



■ Specification

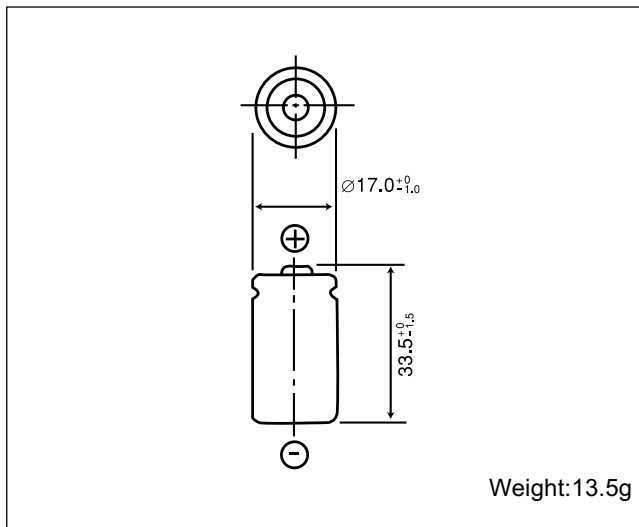
| | |
|-------------------------------|------------|
| Nominal voltage (V) | 3 |
| Nominal capacity (mAh) | 1,000 |
| Continuous standard load (mA) | 2.5 |
| Operating temperature (C) | -40 ~ +100 |

■ Temperature Characteristics



BR-2/3A

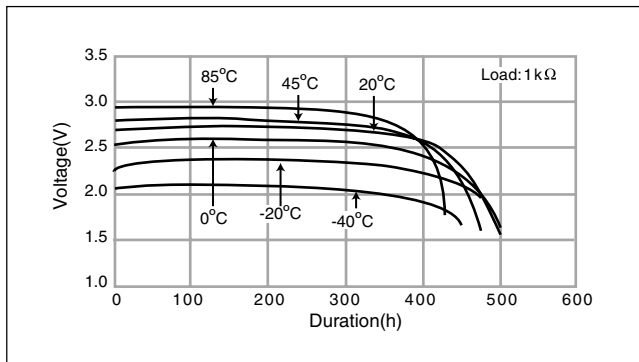
■ Dimensions(mm)



■ Specification

| | |
|---------------------------|-----------|
| Nominal voltage(V) | 3 |
| Nominal capacity(mAh) | 1,200 |
| Continuous drain(mA) | 2.5 |
| Operating temperature(°C) | -40 ~ +85 |

■ Temperature Characteristics



■ Operating voltage vs. Discharge current(voltage at 50% discharge depth)

