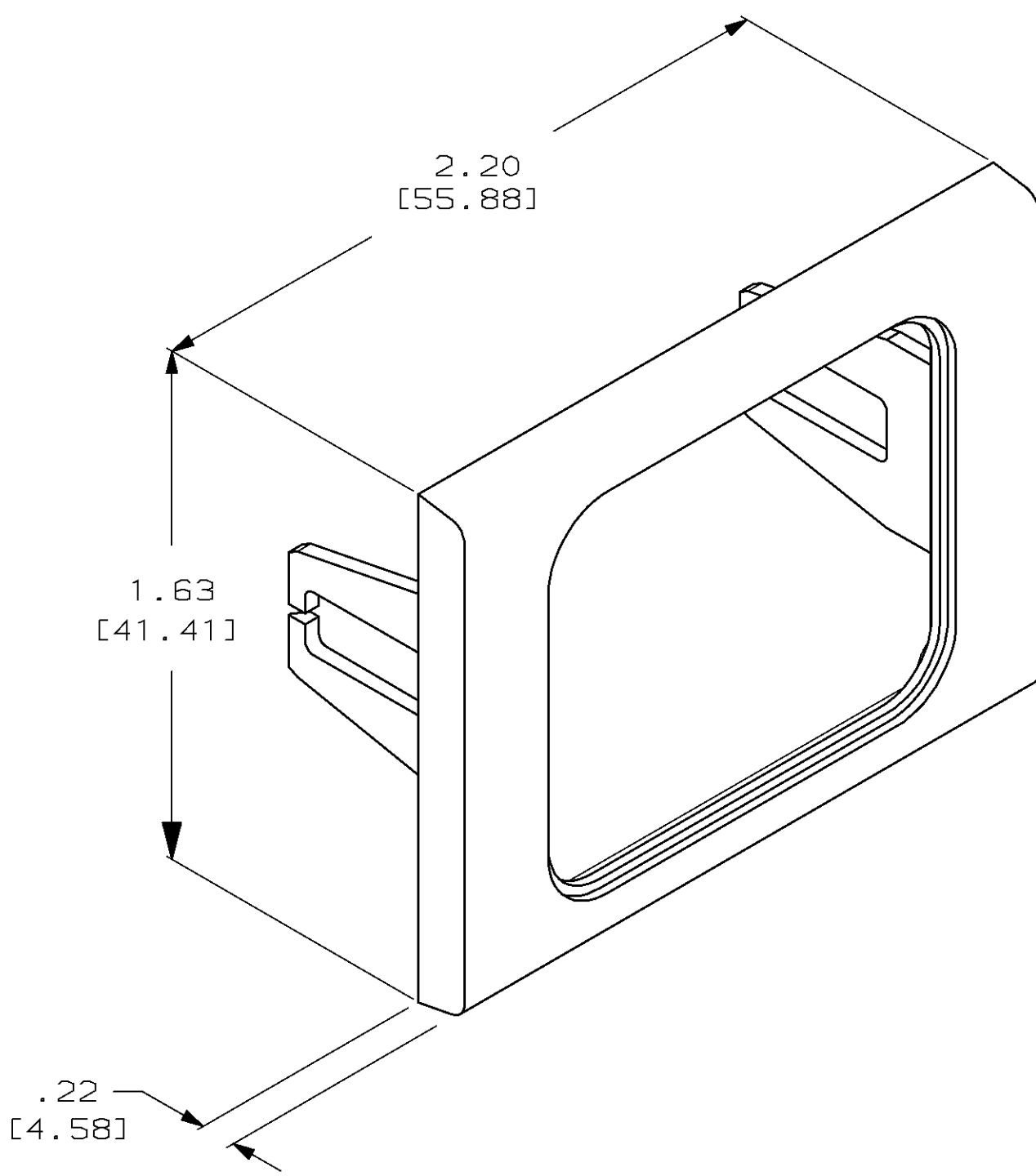


THIS DRAWING IS UNPUBLISHED. RELEASED FOR PUBLICATION, 19 .
 © COPYRIGHT 19 BY AMP INCORPORATED. ALL INTERNATIONAL RIGHTS RESERVED.

LOC	DIST	P	F	REVISIONS		DATE	APPD
AA	28			ZONE	LTR	DESCRIPTION	
				F		OBS: -4; EC 0502-0803-97	22MAY98 GG GB



- ALL DIMENSIONS SHOWN ARE MAXIMUM UNLESS OTHERWISE SPECIFIED.
- MATERIAL: ABS MOLDING COMPOUND. SEE TABLE FOR COLOR.
- ALL DIMENSIONS SHOWN IN BRACKETS [] ARE IN MILLIMETERS.
- APPLICATION:
 THIS FACEPLATE SNAPS ONTO A SINGLE WALL BOX WHICH HAS BEEN INSTALLED DIRECTLY INTO A PANEL CUTOUT. THIS FACEPLATE ACCOMMODATES A RANGE OF PANEL THICKNESSES DEPENDING ON THE METHOD OF SECURING THE WALLBOX TO THE PANEL AS FOLLOWS:
 - WALLBOX IS SNAPPED IN THE PANEL: FACEPLATE WILL ACCOMMODATE .040-.090 [1.02-2.29] THICK PANEL, .060-.090 [1.52-2.29] IS RECOMMENDED.
 - WALLBOX SECURED TO PANEL USING SELF TAPPING SCREWS AND INTERNAL TOOTH LOCK WASHER RECOMMENDED FOR BEST GROUND OF WALLBOX TO PANEL: FACEPLATE WILL ACCOMMODATE .040-.080 [1.02-2.03] THICK PANEL.

WHITE	556680-5
BLACK	556680-3
LT ALMOND	556680-1
COLOR	PART NO

DO NOT SCALE PRINT. UNLESS SPECIFIED DIMENSIONS IN INCHES [mm]		DR	4/24/90	AMP INCORPORATED Harrisburg, Pa. 17105	
TOLERANCES ON:		CHK	6-14-90		
2 PLC DEC ±		B. FOX		NAME FACEPLATE, PANEL MOUNT, AMP COMMUNICATION OUTLET	
3 PLC DEC ±		APPD	6-14-90		
ANGLES ±		DAVID WOLLA		SIZE 00779 DRAWING NO 556680	
MATERIAL		APPD	6-14-90		
		N. SIGMON		SCALE 2:1 SHEET 1 OF 1	
		PRODUCT SPEC			
FINISH		APPLICATION SPEC			
		WEIGHT			

CAD DRAWINGS
 THIS DRAWING WAS CREATED ON A COMPUTER AIDED DESIGN (CAD) SYSTEM. TO INSURE THE INTEGRITY OF THE DATA BASE ALL CHANGES/ REVISIONS MUST BE MADE ON THE CAD SYSTEM.