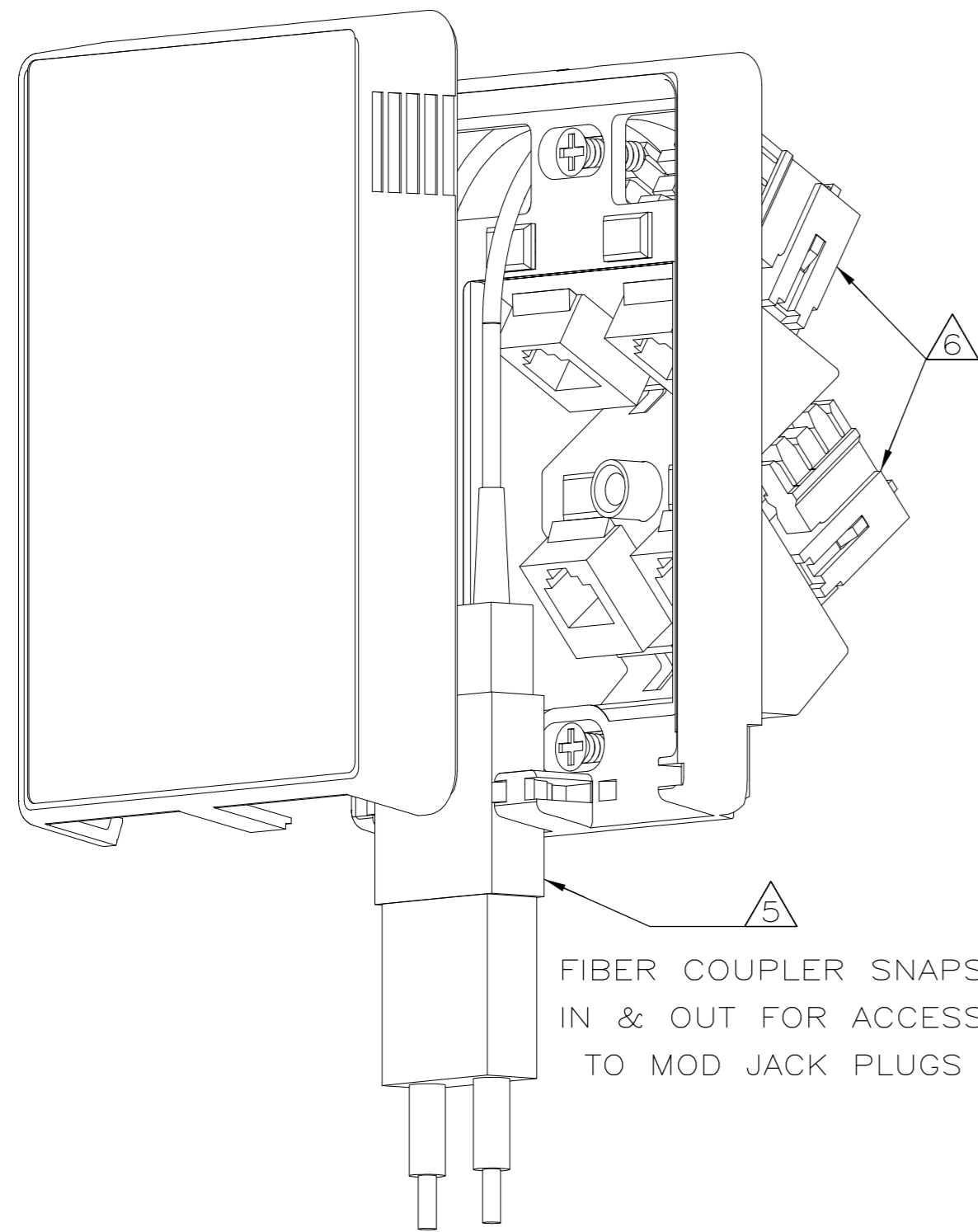
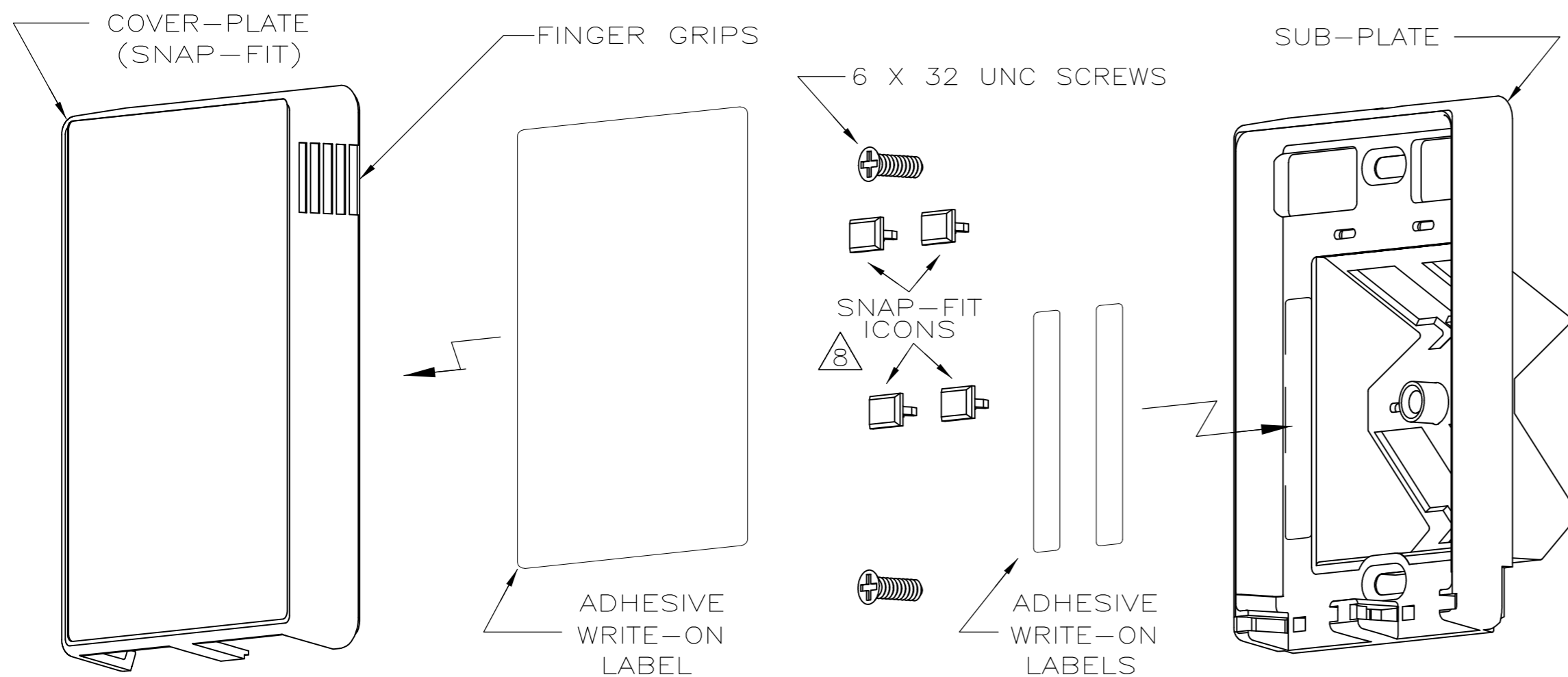
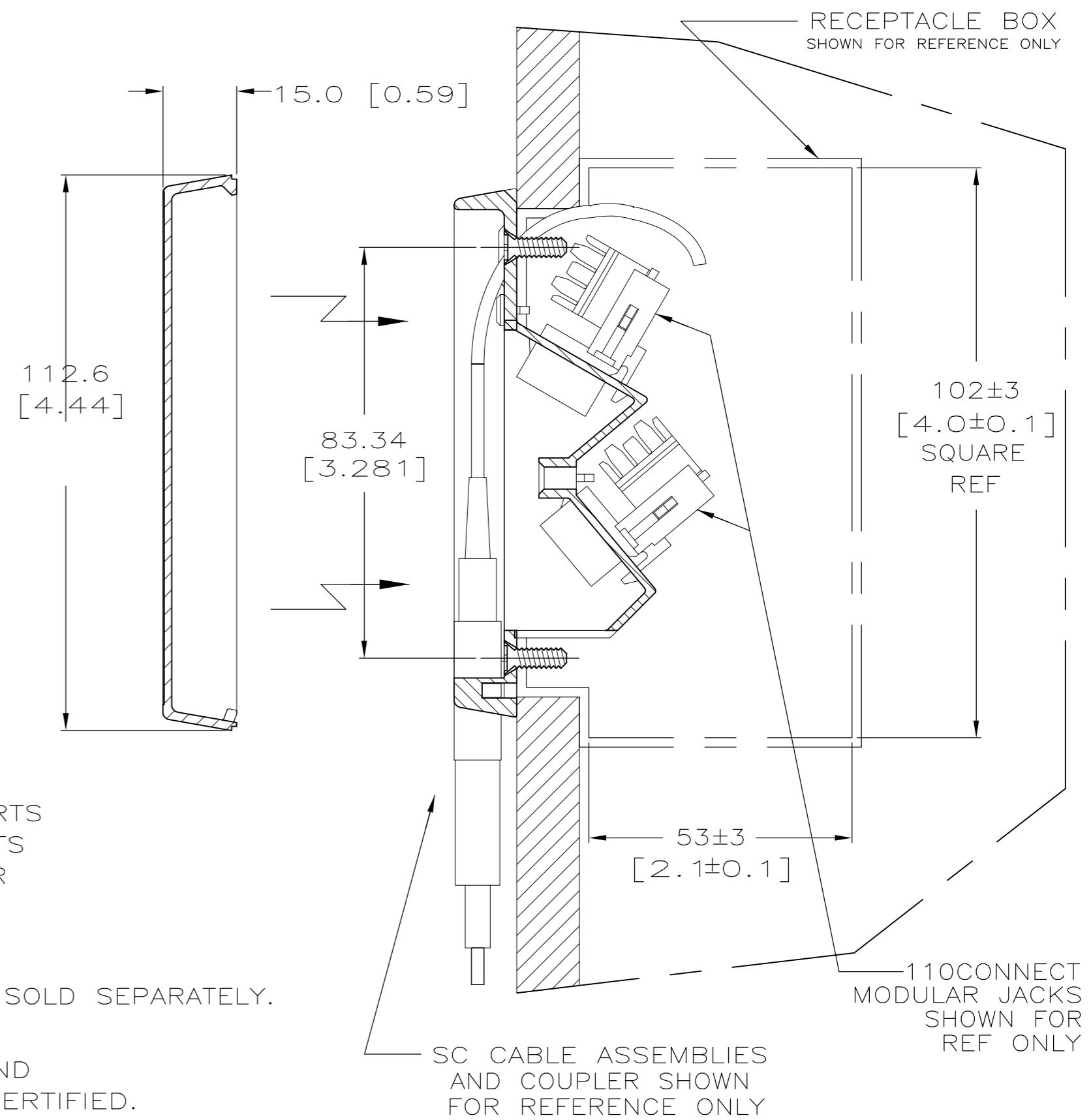


LOC	DIST	REVISIONS			
P	LTR	DESCRIPTION	DATE	DWN	APVD
HM	00	REV; ECO-14-002243	18FEB2014	GG	RA



FIBER COUPLER SNAPS IN & OUT FOR ACCESS TO MOD JACK PLUGS

1. DIMENSIONS IN [] ARE IN INCHES
2. SUB-PLATE: PBT MOLDING COMPOUND
COVER-PLATE: PPE MOLDING COMPOUND
SCREWS: CARBON STEEL
ADHESIVE LABELS: POLYESTER
3. SCREWS: ZINC PLATE
4. KIT INCLUDES:
SUB-PLATE (ONE)
COVER-PLATE (ONE)
ADHESIVE LABEL, INSIDE COVER (ONE)
ADHESIVE LABEL, INSIDE SUB-PLATE (FOUR)
CABLE-TIES (TWO)
SCREWS (TWO)
5. AMP SC DUPLEX FIBER COUPLER SHOWN
ALSO AVAILABLE:
AMP 2.5mm BAYONET DUPLEX COUPLER
AMP SC TO 2.5mm BAYONET DUPLEX COUPLER
6. AMP 110CONNECT MODULAR JACKS SHOWN
7. POSSIBLE OUTLET CONFIGURATIONS:
(2) FIBERS AND (1) TO (4) MOD JACK INSERTS
(2) TO (4) FIBERS AND NO MOD JACK INSERTS
(1) TO (4) MOD JACK INSERTS AND NO FIBER
8. WALL OUTLET ACCOMODATES COLOR-CODED SNAP-FIT ICONS, SOLD SEPARATELY.
COUPLERS FOR FIBER & COPPER MEDIA ALSO SOLD SEPARATELY.
9. UNDERWRITERS LABORATORIES (UL) LISTED AND CANADIAN STANDARDS ASSOCIATION (CSA) CERTIFIED.



THIS DRAWING IS A CONTROLLED DOCUMENT.		DWN J. SABO 01JUN95	LIGHT ALMOND		LIGHT ALMOND		503999-1	
DIMENSIONS: mm [INCHES]		CHK R. HILEMAN 01JUN95	SUB-PLATE COLOR		COVER COLOR		PART NUMBER	
TOLERANCES UNLESS OTHERWISE SPECIFIED: 0 PLC ± - 1 PLC ± - 2 PLC ± - 3 PLC ± - 4 PLC ± - ANGLES ± -		APVD K. MONROE 01JUN95	NAME		TE Connectivity		RESTRICTED TO	
MATERIAL		APPLICATION SPEC 408-4164	WEIGHT		SIZE A2		CAGE CODE 00779	
FINISH		CUSTOMER DRAWING		SCALE NTS		SHEET 1 of 1		
				DRAWING NO. C=503999		REV F		