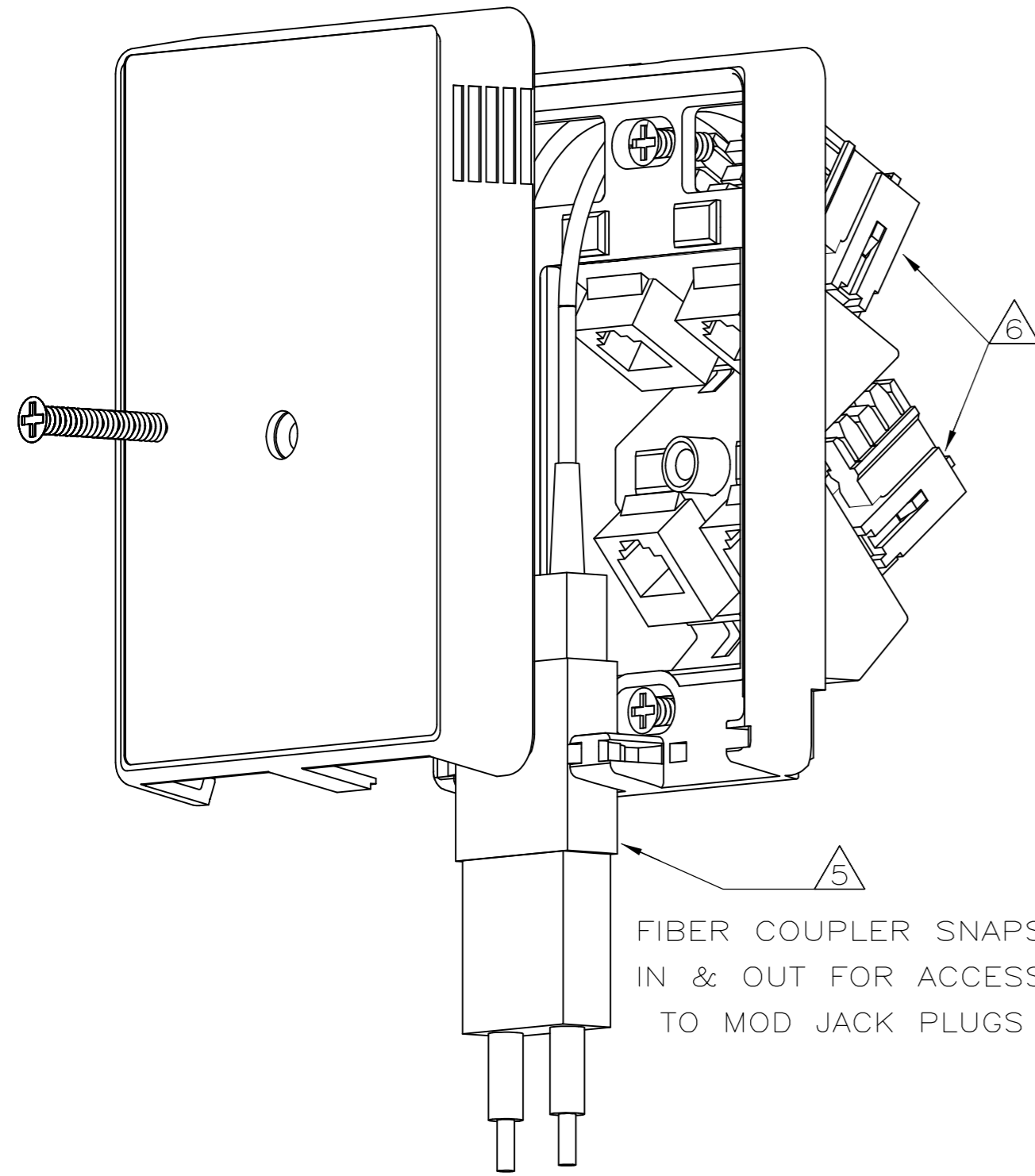


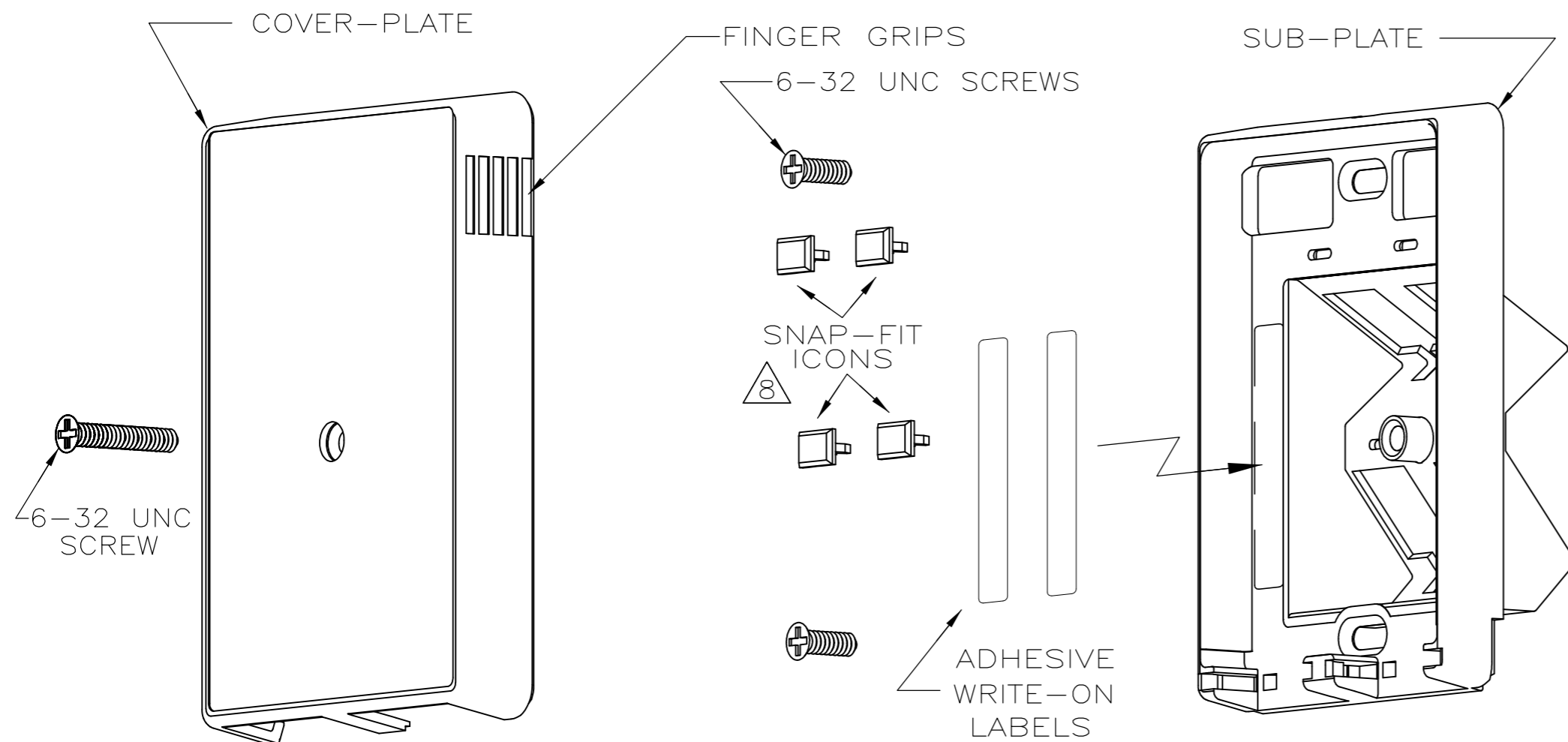
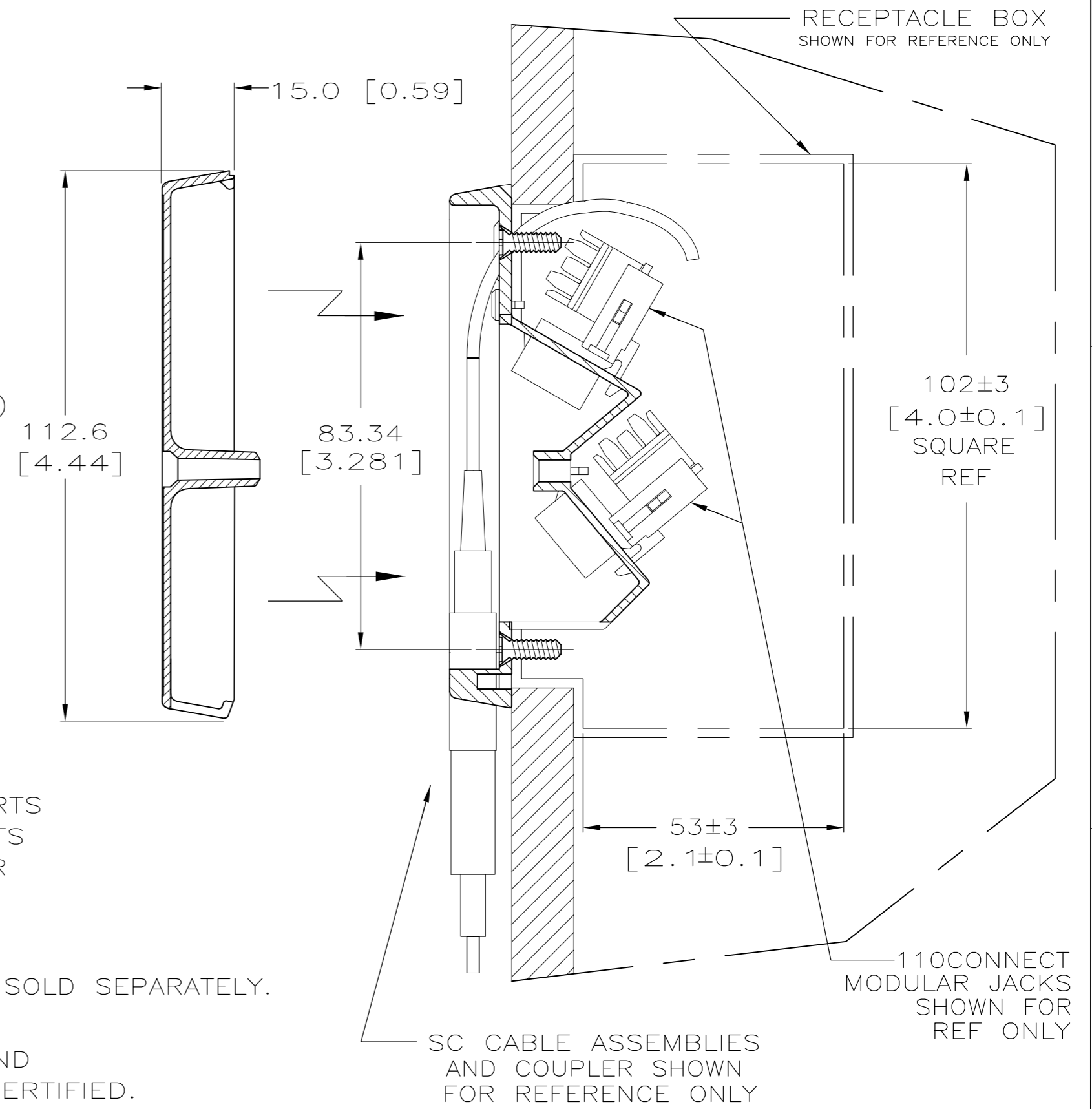
THIS DRAWING IS UNPUBLISHED. RELEASED FOR PUBLICATION
 © COPYRIGHT - By - ALL RIGHTS RESERVED.

LOC		DIST		REVISIONS			
P	LTR	DESCRIPTION	DATE	DWN	APVD		
HM	00						
	E	REV ECO-14-002243	18FEB2014	GG	RA		



FIBER COUPLER SNAPS IN & OUT FOR ACCESS TO MOD JACK PLUGS

1. DIMENSIONS IN [] ARE IN INCHES
2. SUB-PLATE: PBT MOLDING COMPOUND
COVER-PLATE: ABS MOLDING COMPOUND
SCREWS: CARBON STEEL
ADHESIVE LABELS: POLYESTER
CABLE-TIES: NYLON
3. SCREWS: ZINC PLATE & PAINT
4. KIT INCLUDES:
SUB-PLATE (ONE)
COVER-PLATE (ONE)
ADHESIVE LABELS, INSIDE SUB-PLATE (FOUR)
CABLE-TIES (TWO)
SCREWS, SUB-PLATE, (TWO)
SCREW, COVER-PLATE, (ONE)
5. AMP SC DUPLEX FIBER COUPLER SHOWN ALSO AVAILABLE:
AMP 2.5mm BAYONET DUPLEX COUPLER
AMP SC TO 2.5mm BAYONET DUPLEX COUPLER
6. AMP 110CONNECT MODULAR JACKS SHOWN
7. POSSIBLE OUTLET CONFIGURATIONS:
(2) FIBERS AND (1) TO (4) MOD JACK INSERTS
(2) TO (4) FIBERS AND NO MOD JACK INSERTS
(1) TO (4) MOD JACK INSERTS AND NO FIBER
8. WALL OUTLET ACCOMODATES COLOR-CODED SNAP-FIT ICONS, SOLD SEPARATELY.
COUPLERS FOR FIBER & COPPER MEDIA ALSO SOLD SEPARATELY.
9. UNDERWRITERS LABORATORIES (UL) LISTED AND CANADIAN STANDARDS ASSOCIATION (CSA) CERTIFIED.



LIGHT ALMOND	ALPINE WHITE	1-503997-3
LIGHT ALMOND	LIGHT ALMOND	503997-1
SUB-PLATE COLOR	COVER COLOR	PART NUMBER

THIS DRAWING IS A CONTROLLED DOCUMENT.		DWN	19 JUL 95	 TE Connectivity
		CHK	19 JUL 95	
		APVD	19 JUL 95	
		PRODUCT SPEC		
DIMENSIONS: mm [INCHES]		TOLERANCES UNLESS OTHERWISE SPECIFIED:		NAME
0 PLC ± -		1 PLC ± -		HideOut WALL OUTLET ASSEMBLY, SCREW-ON COVER, SINGLE GANG, FIBER/COPPER COMPATIBLE
2 PLC ± -		3 PLC ± -		SIZE
4 PLC ± -		ANGLES ± -		CAGE CODE
MATERIAL		FINISH		DRAWING NO
				RESTRICTED TO
		APPLICATION SPEC		408-4164
		WEIGHT		A2 00779
		CUSTOMER DRAWING		C=503997
		SCALE		NTS
		SHEET		1 of 1
		REV		E