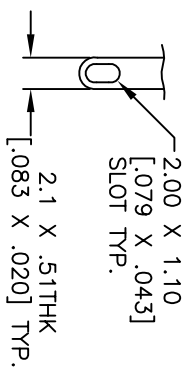
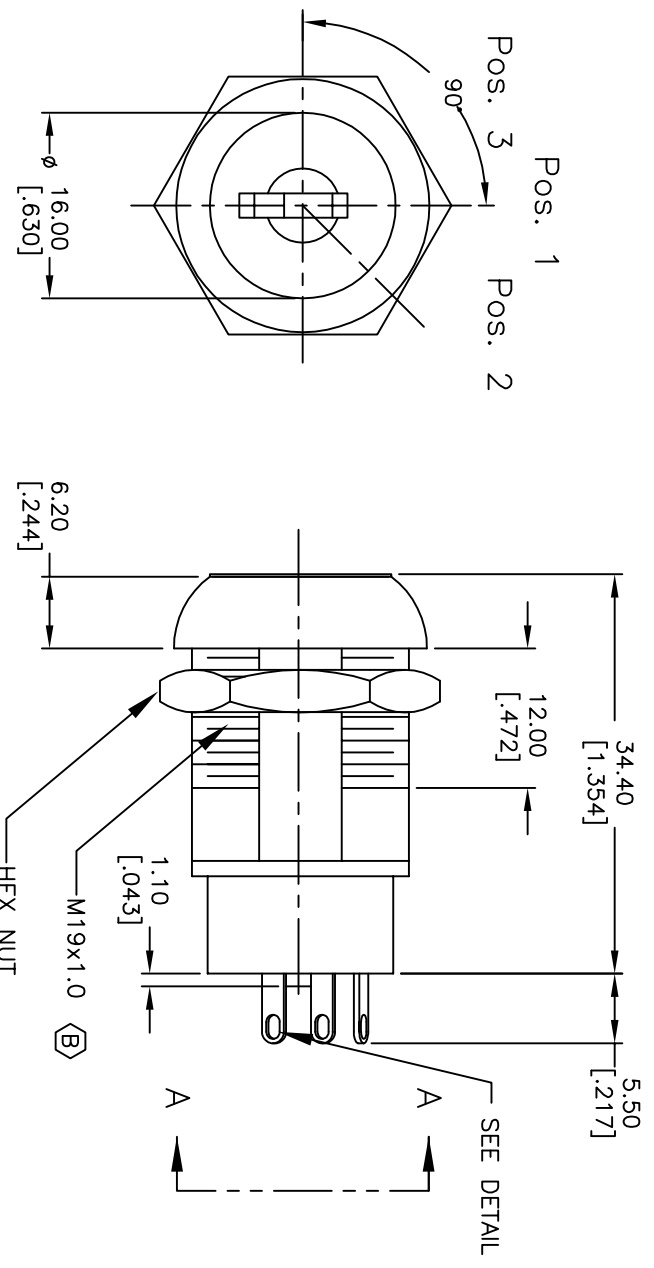


RECOMMENDED PANEL LAYOUT

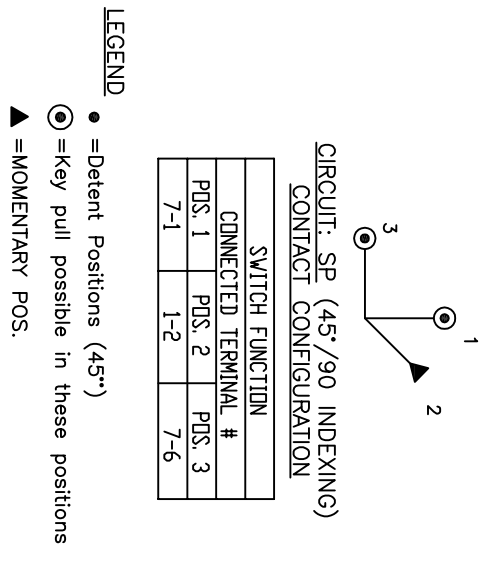
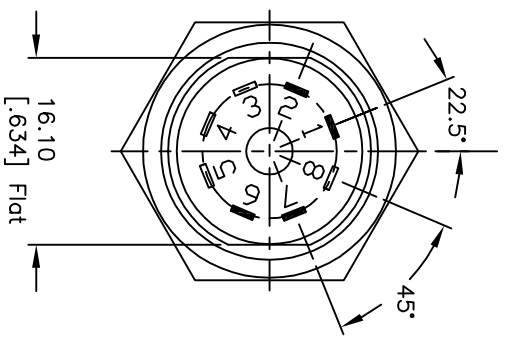


TERMINAL DETAIL
SCALE 2X



Pos. 1 Ref.

- NOTES:
1. ALL DIMENSIONS IN MM [INCH]
 2. GENERAL TOLERANCE: X.X=±0.4
X.XX=±0.25
 3. TERM. NOS. FOR REF. ONLY
 4. CONTACT RATING: 4A @125VAC/28VDC, 2A @250VAC
 5. DIELECTRIC STRENGTH: 1KV RMS min. at sea level
 6. ELECTRICAL LIFE: 10,000 make-and-break cycles at full load.
 7. MATERIALS:
CONTACTS: Silver Plated CU (Q Contact material)
TERMINALS: Silver Plated Cu (Q Contact material)
MOUNTING NUT: Nickel Plated zinc alloy
CONTACT SPRING: Piano Wire
KEYS: (QTY. 2) Brass with code no. 606
LOCK: Bright Ni plated zinc alloy with NI facing
TUMBLER Mechanism: 4-disc tumbler cylinder.



B	19509	CHANGED THREAD DESCRIPTION	12/09/10	BGL
A	11566	RELEASE FOR PRODUCTION	10/4/01	CJB
REV.	ECN No.	DESCRIPTION	DATE	CHKD

TITLE		SCALE		DR	DWG	REV
K0129B-606		1:1.5		CB	K200255	B
DATE		DATE				
10/4/01		10/4/01				



THE INFORMATION CONTAINED IN THIS DOCUMENT IS PROPRIETARY TO E-SWITCH AND IS NOT TO BE COPIED OR TRANSMITTED