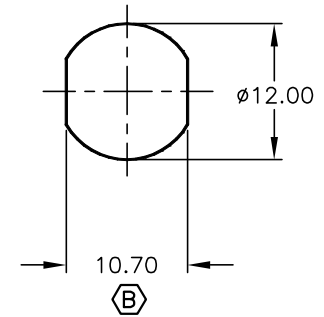


CIRCUIT: SPST  
CONTACT CONFIGURATION

SWITCH FUNCTION	
A	B
↑	→
OFF	ON

LEGEND

- = OFF POSITION
- = INDICATES KEY PULL



RECOMMENDED PANEL CUTOUT

NOTES:

1. ALL DIMENSIONS IN MM
2. GENERAL TOLERANCE: X.X=±0.4  
X.XX=±0.25
3. TERM. NOS. FOR REFERENCE ONLY.
4. RATING: 1A @125VAC, 0.5A @250VAC
5. CONTACT RESISTANCE: 10mILLI-OHMS
6. DIELECTRIC STRENGTH: 1000 VAC-1Minute
7. MATERIALS:  
HOUSING: ZINC ALLOY DIE CAST  
CYLINDER: ZINC ALLOY W/CHROME PLATING  
TERMINAL AND CONTACTS: SILVER PLATED  
KEYS STAMPED 1097 (2): TUBULAR ZINC ALLOY,  
CHROME PLATED

**E-SWITCH®**

B	13412	CORRECT CUTOUT, TERMINALS	8/29/03	AR
A	11434	RELEASED FOR PRODUCTION	4/24/01	CJB
REV.	ECN No.	DESCRIPTION	DATE	CHKD

TITLE				
K0107A-1097				
SCALE	DATE	DR	DWG	REV
1.5:1	4/24/01	CJB	K100303	B

THE INFORMATION CONTAINED IN THIS DOCUMENT IS PROPRIETARY TO E-SWITCH AND IS NOT TO BE COPIED OR TRANSFERRED