

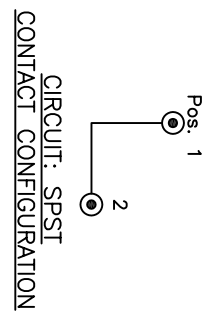
NOTES:

1. ALL DIMENSIONS IN MM [INCH]
2. GENERAL TOLERANCE: X.X=±0.4  
X.XX=±0.25
3. TERM. NOS. FOR REFERENCE ONLY.
4. RATING: 4A @125VAC, 2A @250VAC
5. CONTACT RESISTANCE: 10mILLI-OHMS
6. DIELECTRIC STRENGTH: 1500 VAC-1Minute
7. INSULATION RESISTANCE: 500 Mega-OHMS
8. MATERIALS:

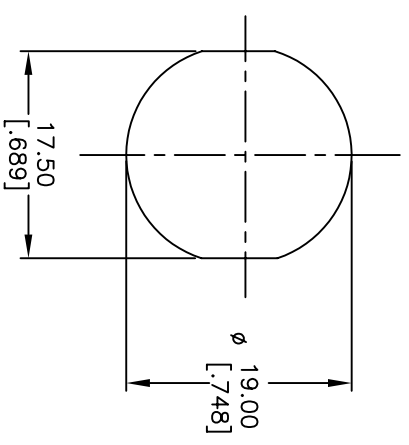
HOUSING: ZINC ALLOY DIE CAST  
 CYLINDER: ZINC ALLOY W/CHROME PLATING  
 TERMINAL AND CONTACTS: SILVER PLATED  
 TUMBLER: 5 DISC MECHANISM W/DUST SHUTTER  
 KEYS 7325 (2): BRASS W/NICKEL PLATING  
 DOUBLE CUT REVERSIBLE

LEGEND

- = INDICATE NO KEY PULL
- ⊙ = INDICATES KEY PULL POSSIBLE



SWITCH FUNCTION	
POS 1	POS 2
↖	→
DNF	DN



9. 2002/95/EC (ROHS) COMPLIANT			
C	16880	KEY PULL CORRECTED	TN
B	16530	KEY PULL CORRECTED	TN
A	11746	RELEASED FOR PRODUCTION	CJB
REV.	ECN No.	DESCRIPTION	DATE
			CHKD

TITLE		SCALE		DATE		DR		DWG		REV	
K0119B-7325		1.5:1		1/17/2007		TN		K200119		C	

THE INFORMATION CONTAINED IN THIS DOCUMENT IS PROPRIETARY TO E-SWITCH AND IS NOT TO BE COPIED OR TRANSFERRED