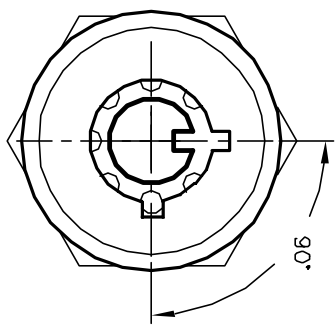
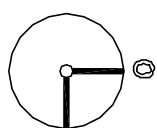
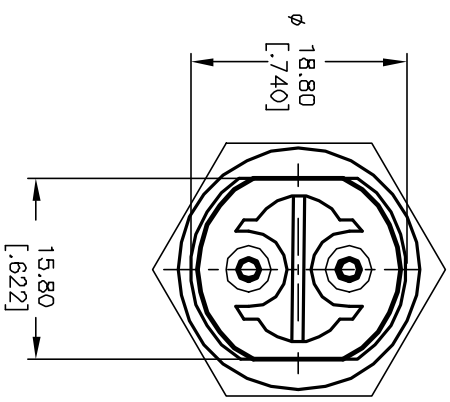
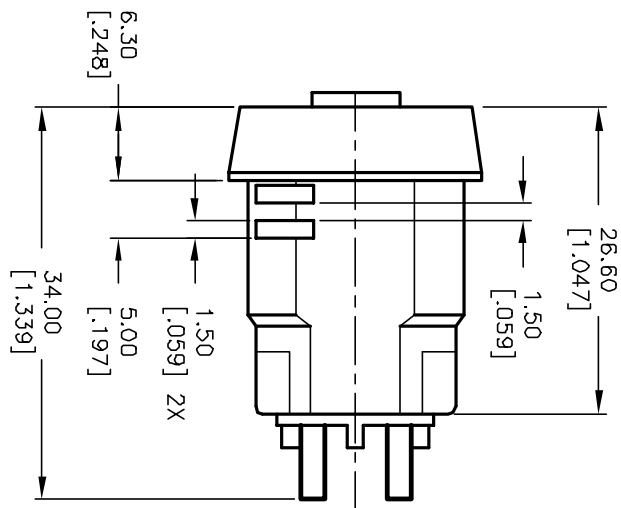


POS 1



POS 2



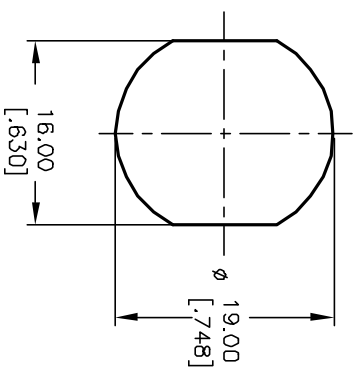
CIRCUIT: SPST
CONTACT CONFIGURATION

SWITCH FUNCTION	
POS 1	POS 2
↕	⇒
DNF	DN

LEGEND

- =OFF POSITION
- =INDICATES KEY PULL
- ⊗ =INDICATES NO KEY PULL

RECOMMENDED PANEL CUTOUT



NOTES:

1. ALL DIMENSIONS IN MM [INCH]
2. GENERAL TOLERANCE: X.X=±0.4
X.XX=±0.25
3. TERM. NOS. FOR REFERENCE ONLY.
4. RATING: 2A @125VAC, 1A @250VAC
5. CONTACT RESISTANCE: 10mΩ-1-0HMS max.
6. DIELECTRIC STRENGTH: 1000 VAC-1Minute
7. INSULATION RESISTANCE: 200MΩ DHMS min.
8. MATERIALS:

HOUSING: ZINC ALLOY DIE CAST, SATINE CHROME PLATING
CYLINDER: ZINC ALLOY W/SATIN CHROME PLATING
TERMINAL AND CONTACTS: SILVER PLATED
KEYS (2) KEY CODE 10001:
TUBULAR STEEL, NICKLE PLATING



REV.	ECN No.	DESCRIPTION	DATE	CHKD
A	11737	RELEASED FOR PRODUCTION	10/12/01	CJB

TITLE	SCALE	DATE	DR	DWG	REV
K0124A-10001	1.5:1	10/12/01	CJB	K500103	A

THE INFORMATION CONTAINED IN THIS DOCUMENT IS PROPRIETARY TO E-SWITCH AND IS NOT TO BE COPIED OR TRANSFERRED