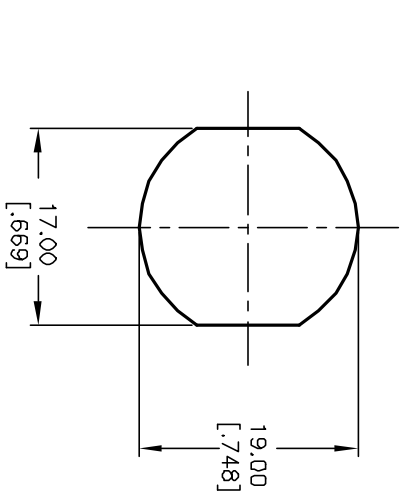


CIRCUIT: SPST  
CONTACT CONFIGURATION

SWITCH FUNCTION	CONNECTED TERM#
POS 1	POS 2
↖	↗
DN	DN

( ) =MENTARY

LEGEND  
 ○ =OFF POSITION  
 ■ =INDICATES KEY PULL  
 X =INDICATES NO KEY PULL



RECOMMENDED PANEL CUTOUT

- NOTES:
1. ALL DIMENSIONS IN MM [INCH]
  2. GENERAL TOLERANCE: X.X=±0.4  
X.XX=±0.25
  3. TERM. NOS. FOR REFERENCE ONLY.
  4. RATING: 4A @125VAC, 2A @250VAC
  5. CONTACT RESISTANCE: 10mΩ-1-ΩMS
  6. DIELECTRIC STRENGTH: 1500 VAC-1Minute
  7. INSULATION RESISTANCE: 200MΩ-ΩHMS
  8. MATERIALS:  
 HOUSING: ZINC ALLOY DIE CAST  
 CYLINDER: ZINC ALLOY W/CHROME PLATING  
 TERMINAL AND CONTACTS: SILVER PLATED  
 KEYS (2) CODE 10001: TUBULAR STEEL, NICKEL PLATED

REV.	ECN No.	DESCRIPTION	DATE	CHKD
A	11738	RELEASED FOR PRODUCTION	10/15/01	CJB

TITLE		SCALE		DATE	DR	DWG	REV
K0113C-10001		1.5:1		10/15/01	CJB	K200103	A

**E-SWITCH®**

THE INFORMATION CONTAINED IN THIS DOCUMENT IS PROPRIETARY TO E-SWITCH AND IS NOT TO BE COPIED OR TRANSFERRED