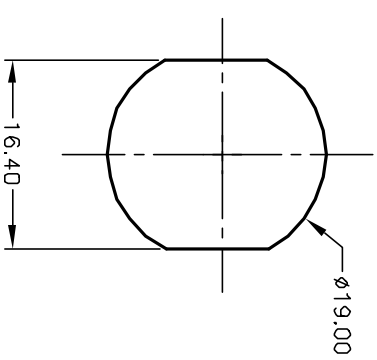


CIRCUIT: SPDT  
CONTACT CONFIGURATION

SWITCH FUNCTION	
A	B
↑	→
DNF	DN

LEGEND  
 O = OFF POSITION  
 ■ = INDICATES KEY PULL  
 X = INDICATES NO KEY PULL



RECOMMENDED PANEL CUTOUT

- NOTES:
1. ALL DIMENSIONS IN MM
  2. GENERAL TOLERANCE: X.X=±0.4  
X.XX=±0.25
  3. TERM. NOS. FOR REFERENCE ONLY.
  4. RATING: 4A @125VAC, 2A @250VAC
  5. CONTACT RESISTANCE: 10mILLI-OHMS
  6. DIELECTRIC STRENGTH: 1500 VAC-1Minute
  7. MATERIALS:  
 HOUSING: ZINC ALLOY DIE CAST  
 CYLINDER: ZINC ALLOY W/CHROME PLATING  
 TERMINAL AND CONTACTS: SILVER PLATED  
 KEYS 125 (2): BRASS W/NICKEL PLATING  
 DOUBLE CUT REVERSIBLE

REV.	ECN No.	DESCRIPTION	DATE	CHKD
A	11376	RELEASED FOR PRODUCTION	2/25/03	CJB

THE INFORMATION CONTAINED IN THIS DOCUMENT IS PROPRIETARY TO E-SWITCH AND IS NOT TO BE COPIED OR TRANSMITTED

TITLE	SCALE	DATE	DR	DWG	REV
K0117A-125	1.5:1	--	--	K200116	A

