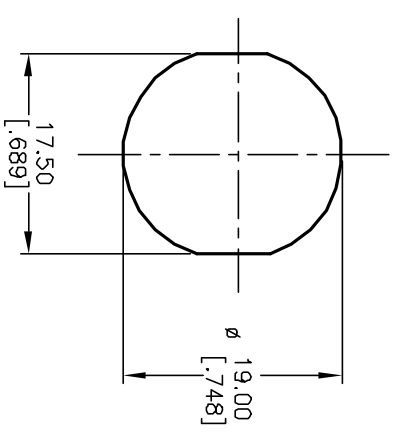


CIRCUIT: SPST
CONTACT CONFIGURATION

SWITCH FUNCTION	
POS 1	POS 2
↕	↗
DNF	DN



RECOMMENDED PANEL CUTOUT

- NOTES:
1. ALL DIMENSIONS IN MM [INCH]
 2. GENERAL TOLERANCE: X.X=±0.4
X.XX=±0.25
 3. TERM. NOS. FOR REFERENCE ONLY.
 4. RATING: 4A @125VAC, 2A @250VAC
 5. CONTACT RESISTANCE: 10mILLI-OHMS
 6. DIELECTRIC STRENGTH: 1500 VAC-1Minute
 7. INSULATION RESISTANCE: 500 Mega-OHMS
 8. MATERIALS:
HOUSING: ZINC ALLOY DIE CAST
CYLINDER: ZINC ALLOY W/CHROME PLATING
TERMINAL AND CONTACTS: SILVER PLATED
TUMBLER: 5 DISC MECHANISM W/DUST SHUTTER
KEYS 7325 (2): BRASS W/NICKEL PLATING
DOUBLE CUT REVERSIBLE

LEGEND
● = INDICATE NO KEY PULL
⊙ = INDICATES KEY PULL POSSIBLE

REV.	ECN No.	DESCRIPTION	DATE	CHKD
A	11746	RELEASED FOR PRODUCTION	10/17/01	CJB

TITLE	SCALE	DATE	DR	DWG	REV
K0119A-7325	1.5:1	10/17/01	CJB	K200118	A

E-SWITCH®

THE INFORMATION CONTAINED IN THIS DOCUMENT IS PROPRIETARY TO E-SWITCH AND IS NOT TO BE COPIED OR TRANSMITTED