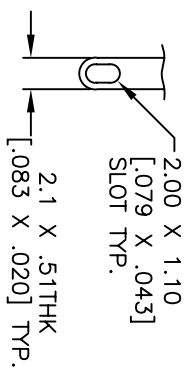
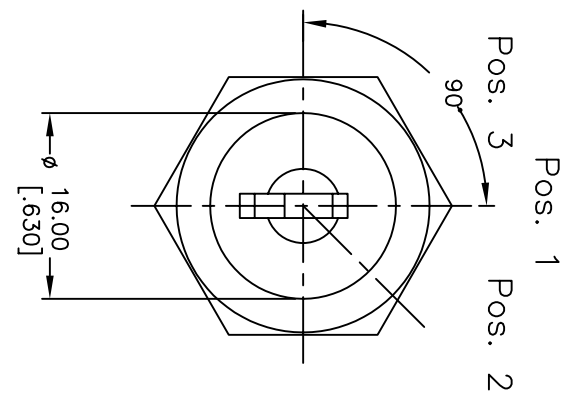


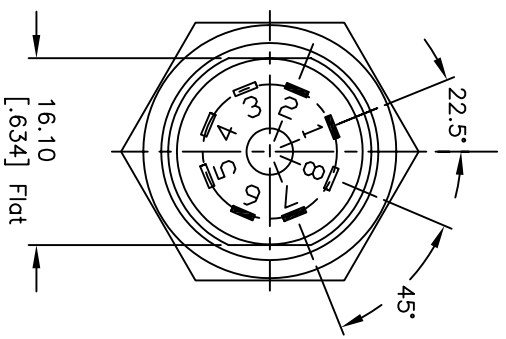
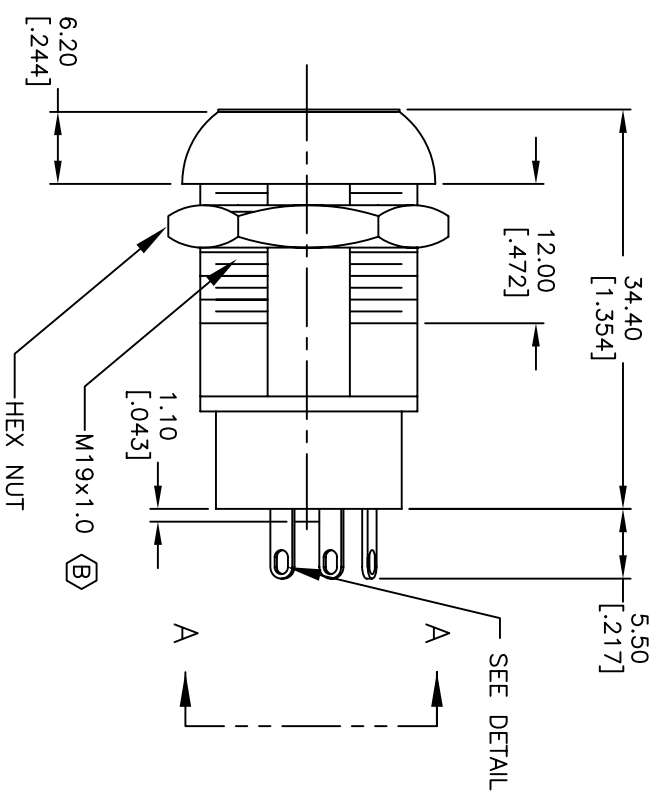
RECOMMENDED PANEL LAYOUT



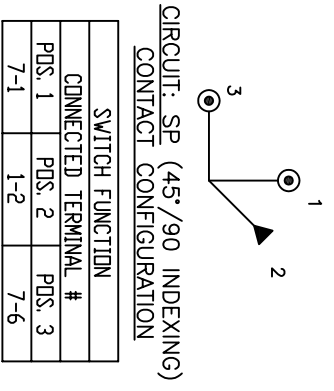
TERMINAL DETAIL  
SCALE 2X



Pos. 1 Ref.



- NOTES:
1. ALL DIMENSIONS IN MM [INCH]
  2. GENERAL TOLERANCE: X.X=±0.4  
X.XX=±0.25
  3. TERM. NOS. FOR REF. ONLY
  4. CONTACT RATING: 4A @125VAC/28VDC, 2A @250VAC
  5. DIELECTRIC STRENGTH: 1KV RMS min. at sea level
  6. ELECTRICAL LIFE: 10,000 make-and-break cycles at full load.
  7. MATERIALS:  
CONTACTS: Silver Plated CU (Q Contact material)  
TERMINALS: Silver Plated Cu (Q Contact material)  
MOUNTING NUT: Nickel Plated zinc alloy  
CONTACT SPRING: Piano Wire  
KEYS: (QTY. 2) Brass with code no. A126  
LOCK: Bright Ni plated zinc alloy with NI facing  
TUMBLER Mechanism: 4-disc tumbler cylinder.



- LEGEND
- =Detent Positions (45°)
  - ⊙ =Key pull possible in these positions
  - ▲ =MOMENTARY POS.

REV.	ECN No.	DESCRIPTION	DATE	CHKD
B	19509	CHANGED THREAD DESCRIPTION	12/09/10	BGL
A	11566	RELEASE FOR PRODUCTION	10/4/01	CJB

TITLE		SCALE	DATE	DR	DWG	REV
K0129B-A126		1:1.5	10/4/01	CB	K200208	B



THE INFORMATION CONTAINED IN THIS DOCUMENT IS PROPRIETARY TO E-SWITCH AND IS NOT TO BE COPIED OR TRANSMITTED