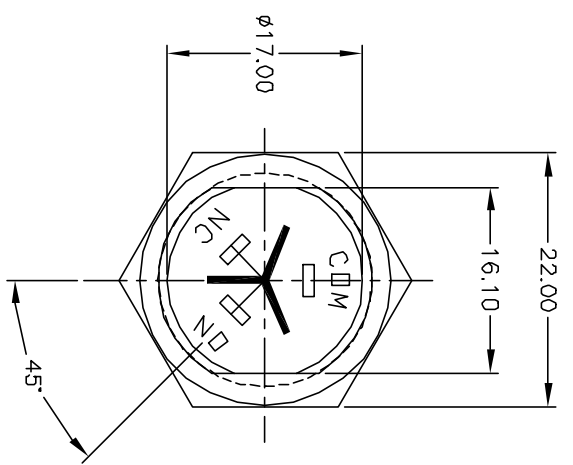
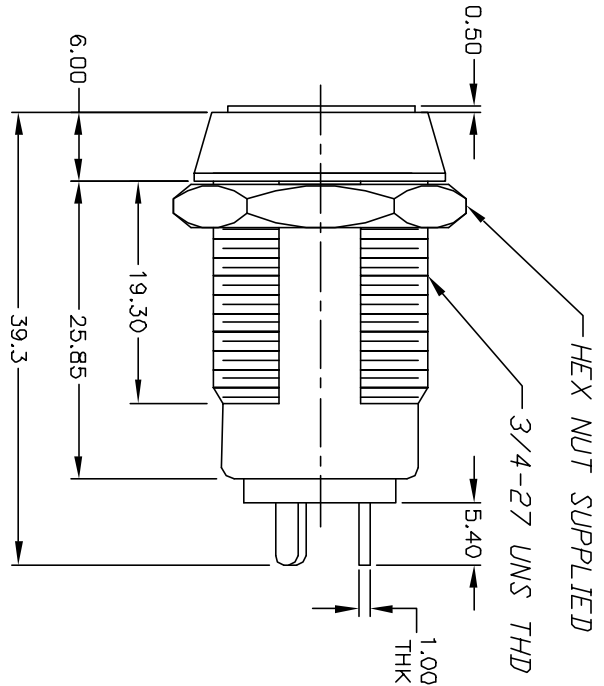


TERMINAL DETAIL  
SCALE 2X



NOTES:

1. ALL DIMENSIONS IN MM
2. GENERAL TOLERANCE: X.X=±0.4  
X.XX=±0.25
3. TERM. NOS. FOR REFERENCE ONLY.
4. RATING: 4A @125VAC, 2A @250VAC
5. CONTACT RESISTANCE: 10mILLI-OHMS
6. DIELECTRIC STRENGTH: 1500 VAC-1Minute
7. MATERIALS:

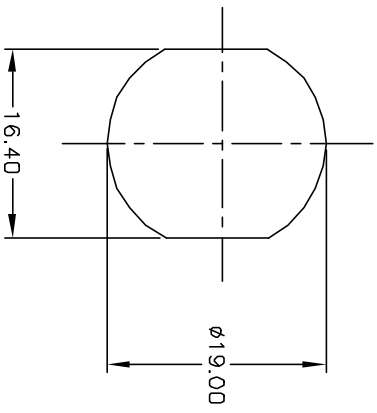
HOUSING: ZINC ALLOY DIE CAST  
CYLINDER: ZINC ALLOY W/CHROME PLATING  
TERMINAL AND CONTACTS: SILVER PLATED  
KEYS 125 (2): BRASS W/NICKEL PLATING  
DOUBLE CUT REVERSIBLE



CIRCUIT: SPDT  
CONTACT CONFIGURATION

SWITCH FUNCTION	
A	B
↕	→
DN	DN

- LEGEND
- = OFF POSITION
  - = INDICATES KEY PULL
  - ⊗ = INDICATES NO KEY PULL



RECOMMENDED PANEL CUTOUT

REV.	ECN No.	DESCRIPTION	DATE	CHKD
A	11376	RELEASED FOR PRODUCTION	4/4/01	CJB

TITLE	SCALE	DATE	DR	DWG	REV
K01184-125	1.5:1	4/4/01	CJB	K200117	A

**E-SWITCH®**

THE INFORMATION CONTAINED IN THIS DOCUMENT IS PROPRIETARY TO E-SWITCH AND IS NOT TO BE COPIED OR TRANSMITTED