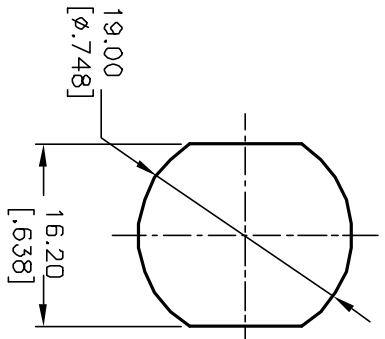
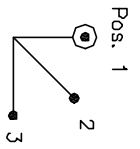


NOTES:

1. ALL DIMENSIONS IN MM [INCH]
2. GENERAL TOLERANCE: 0.0=±0.4
0.00=±0.25
3. TERM. NOS. FOR REF. ONLY
4. CONTACT RATING: 4A @125VAC/28VDC, 2A @250VAC
5. CONTACT RESISTANCE: Below 10 milliohms
6. DIELECTRIC STRENGTH: 1KV RMS min. at sea level
7. ELECTRICAL LIFE: 10,000 make-and-break cycles at full load.
8. LOCK: bright nickel plated zinc alloy with nickel facing (black and polished chrome facing available)
9. Tumbler mechanism: 4-disc tumbler
10. KEYS: brass with code no. (2 Keys)
11. CONTACTS: silver plated Cu (Q contact material)
12. TERMINALS: silver plated Cu (Q contact material)
13. CONTACT SPRING: piano wire
14. MOUNTING NUT: nickel plated zinc alloy



RECOMMEND PANEL LAYOUT



CIRCUIT: DP (45° INDEXING)
CONTACT CONFIGURATION

SWITCH FUNCTION		
CONNECTED TERMINAL #		
POS. 1	POS. 2	POS. 3
8-1, 4-5	1-2, 5-6	2-3, 6-7

REV.	ECN NO.	DESCRIPTION	DATE	CHK'D
A	10459	RELEASED FOR PRODUCTION		

TITLE		SCALE		DATE		DWR		DWG		REV	
K0130B-A126		1.5:1		12/8/99		MM		K200241		A	



THE INFORMATION CONTAINED IN THIS DOCUMENT IS PROPRIETARY TO E-SWITCH AND IS NOT TO BE COPIED OR TRANSMITTED