



The DC to DC converter takes a “10-32” DC voltage and converts it 5 or 12 DC voltages. This device can be used for devices that use 5 VDC only, 12 VDC only or both 5 and 12 VDC.

FEATURES

- Fuse protected input
- Short circuit protection
- Non-isolation circuit
- Efficiency: minimum 80%

MARKETS

- Remote routers, access points, and bridges
- Remote networking equipment
- SOHO equipment
- IP camera and phone systems
- VOIP systems

MODEL	DCDC-1032-5	DCDC-1632-12	DCDC-1532-5/12	
Input	10V~32VDC	16V~32VDC	15V~32VDC	
Output	+5V	+12V	+5V	+12V
Max. load	3A	1.25A	3A	1.25A
Power	15W Max	15W Max	15W Max	
Min. Load	0A	0A	0A	
Load reg. %	5%	5%	5%	
Line reg. %	1%	1%	1%	
Ripple %	2%	2%	2%	
Noise %	5%	5%	5%	
Operating temperature	-15°C to +40°C		-15°C to +60°C	
Storage temperature	-25°C to +85°C	-25°C to +85°C	-25°C to +85°C	
Operating humidity	5% to 90%	5% to 90%	5% to 90%	
Cooling	Free air cooling	Free air cooling	Free air cooling	
Dimensions L x D x H	46 x 33 x 24 mm		80 x 60 x 30 mm	

global solutions: local support™

Americas: +1.847.839.6907
IAS-AmericasEastSales@lairdtech.com

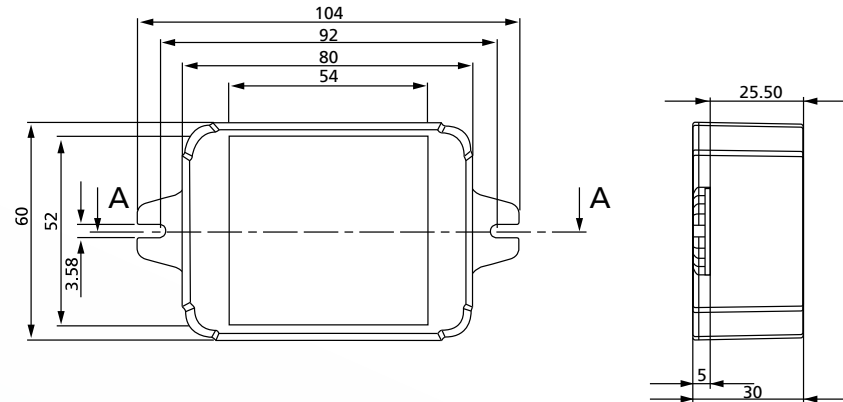
Europe: +1.32.80.7866.12
IAS-EUSales@lairdtech.com

Asia: +1.65.6.243.8022
IAS-AsiaSales@lairdtech.com

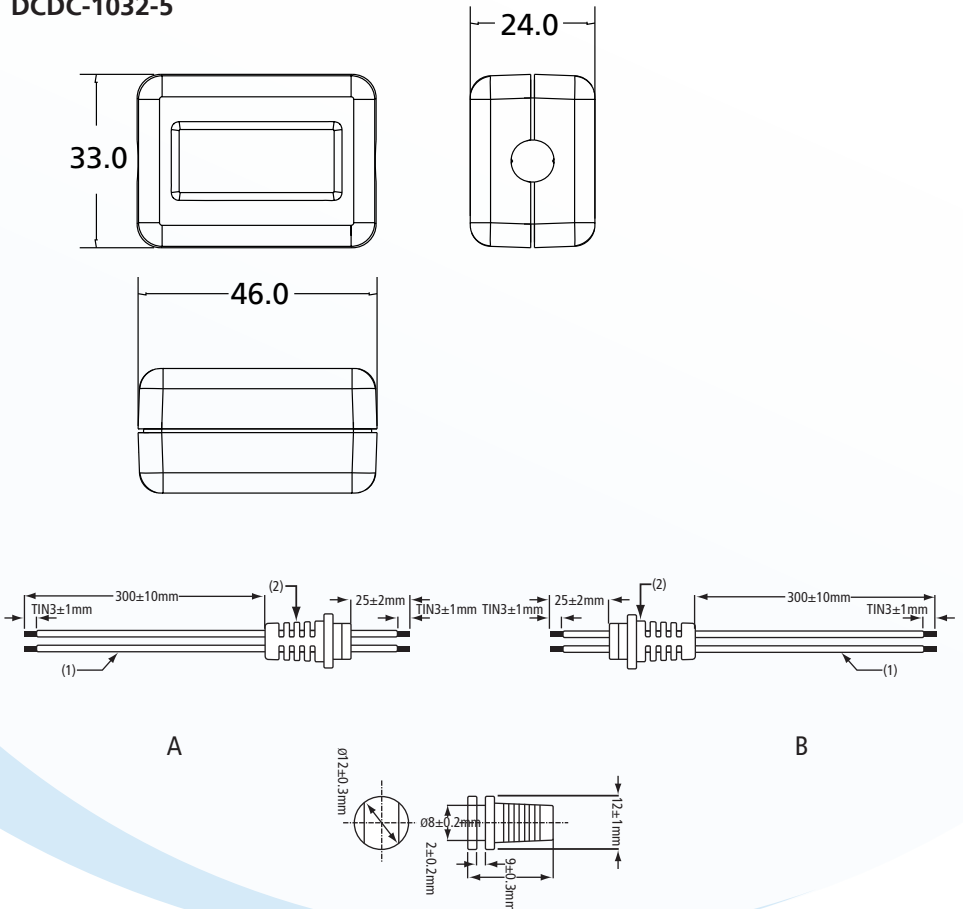
www.lairdtech.com

MECHANICAL DRAWINGS

DCDC-1532-5/12



DCDC-1032-5



ANT-DS-DC-DC 0709

Any information furnished by Laird Technologies, Inc. and its agents is believed to be accurate and reliable. All specifications are subject to change without notice. Responsibility for the use and application of Laird Technologies materials rests with the end user, since Laird Technologies and its agents cannot be aware of all potential uses. Laird Technologies makes no warranties as to the fitness, merchantability or suitability of any Laird Technologies materials or products for any specific or general uses. Laird Technologies shall not be liable for incidental or consequential damages of any kind. All Laird Technologies products are sold pursuant to the Laird Technologies' Terms and Conditions of sale in effect from time to time, a copy of which will be furnished upon request. © Copyright 2009 Laird Technologies, Inc. All Rights Reserved. Laird, Laird Technologies, the Laird Technologies Logo, and other marks are trade marks or registered trade marks of Laird Technologies, Inc. or an affiliate company thereof. Other product or service names may be the property of third parties. Nothing herein provides a license under any Laird Technologies or any third party intellectual property rights.