

To our customers,

---

## Old Company Name in Catalogs and Other Documents

---

On April 1<sup>st</sup>, 2010, NEC Electronics Corporation merged with Renesas Technology Corporation, and Renesas Electronics Corporation took over all the business of both companies. Therefore, although the old company name remains in this document, it is a valid Renesas Electronics document. We appreciate your understanding.

Renesas Electronics website: <http://www.renesas.com>

April 1<sup>st</sup>, 2010  
Renesas Electronics Corporation

Issued by: Renesas Electronics Corporation (<http://www.renesas.com>)

Send any inquiries to <http://www.renesas.com/inquiry>.

## Notice

1. All information included in this document is current as of the date this document is issued. Such information, however, is subject to change without any prior notice. Before purchasing or using any Renesas Electronics products listed herein, please confirm the latest product information with a Renesas Electronics sales office. Also, please pay regular and careful attention to additional and different information to be disclosed by Renesas Electronics such as that disclosed through our website.
2. Renesas Electronics does not assume any liability for infringement of patents, copyrights, or other intellectual property rights of third parties by or arising from the use of Renesas Electronics products or technical information described in this document. No license, express, implied or otherwise, is granted hereby under any patents, copyrights or other intellectual property rights of Renesas Electronics or others.
3. You should not alter, modify, copy, or otherwise misappropriate any Renesas Electronics product, whether in whole or in part.
4. Descriptions of circuits, software and other related information in this document are provided only to illustrate the operation of semiconductor products and application examples. You are fully responsible for the incorporation of these circuits, software, and information in the design of your equipment. Renesas Electronics assumes no responsibility for any losses incurred by you or third parties arising from the use of these circuits, software, or information.
5. When exporting the products or technology described in this document, you should comply with the applicable export control laws and regulations and follow the procedures required by such laws and regulations. You should not use Renesas Electronics products or the technology described in this document for any purpose relating to military applications or use by the military, including but not limited to the development of weapons of mass destruction. Renesas Electronics products and technology may not be used for or incorporated into any products or systems whose manufacture, use, or sale is prohibited under any applicable domestic or foreign laws or regulations.
6. Renesas Electronics has used reasonable care in preparing the information included in this document, but Renesas Electronics does not warrant that such information is error free. Renesas Electronics assumes no liability whatsoever for any damages incurred by you resulting from errors in or omissions from the information included herein.
7. Renesas Electronics products are classified according to the following three quality grades: “Standard”, “High Quality”, and “Specific”. The recommended applications for each Renesas Electronics product depends on the product’s quality grade, as indicated below. You must check the quality grade of each Renesas Electronics product before using it in a particular application. You may not use any Renesas Electronics product for any application categorized as “Specific” without the prior written consent of Renesas Electronics. Further, you may not use any Renesas Electronics product for any application for which it is not intended without the prior written consent of Renesas Electronics. Renesas Electronics shall not be in any way liable for any damages or losses incurred by you or third parties arising from the use of any Renesas Electronics product for an application categorized as “Specific” or for which the product is not intended where you have failed to obtain the prior written consent of Renesas Electronics. The quality grade of each Renesas Electronics product is “Standard” unless otherwise expressly specified in a Renesas Electronics data sheets or data books, etc.
  - “Standard”: Computers; office equipment; communications equipment; test and measurement equipment; audio and visual equipment; home electronic appliances; machine tools; personal electronic equipment; and industrial robots.
  - “High Quality”: Transportation equipment (automobiles, trains, ships, etc.); traffic control systems; anti-disaster systems; anti-crime systems; safety equipment; and medical equipment not specifically designed for life support.
  - “Specific”: Aircraft; aerospace equipment; submersible repeaters; nuclear reactor control systems; medical equipment or systems for life support (e.g. artificial life support devices or systems), surgical implantations, or healthcare intervention (e.g. excision, etc.), and any other applications or purposes that pose a direct threat to human life.
8. You should use the Renesas Electronics products described in this document within the range specified by Renesas Electronics, especially with respect to the maximum rating, operating supply voltage range, movement power voltage range, heat radiation characteristics, installation and other product characteristics. Renesas Electronics shall have no liability for malfunctions or damages arising out of the use of Renesas Electronics products beyond such specified ranges.
9. Although Renesas Electronics endeavors to improve the quality and reliability of its products, semiconductor products have specific characteristics such as the occurrence of failure at a certain rate and malfunctions under certain use conditions. Further, Renesas Electronics products are not subject to radiation resistance design. Please be sure to implement safety measures to guard them against the possibility of physical injury, and injury or damage caused by fire in the event of the failure of a Renesas Electronics product, such as safety design for hardware and software including but not limited to redundancy, fire control and malfunction prevention, appropriate treatment for aging degradation or any other appropriate measures. Because the evaluation of microcomputer software alone is very difficult, please evaluate the safety of the final products or system manufactured by you.
10. Please contact a Renesas Electronics sales office for details as to environmental matters such as the environmental compatibility of each Renesas Electronics product. Please use Renesas Electronics products in compliance with all applicable laws and regulations that regulate the inclusion or use of controlled substances, including without limitation, the EU RoHS Directive. Renesas Electronics assumes no liability for damages or losses occurring as a result of your noncompliance with applicable laws and regulations.
11. This document may not be reproduced or duplicated, in any form, in whole or in part, without prior written consent of Renesas Electronics.
12. Please contact a Renesas Electronics sales office if you have any questions regarding the information contained in this document or Renesas Electronics products, or if you have any other inquiries.

(Note 1) “Renesas Electronics” as used in this document means Renesas Electronics Corporation and also includes its majority-owned subsidiaries.

(Note 2) “Renesas Electronics product(s)” means any product developed or manufactured by or for Renesas Electronics.

# PCA7400

User's Manual

PROM Programming Adapter for M37281EKSP

\* R4945 and R4945A are trademarks of Advantest Corporation.

\* IC59-5406-G4 is a product of Yamaichi Electronics Co., Ltd.

#### **Keep safety first in your circuit designs!**

- Renesas Technology Corporation and Renesas Solutions Corporation put the maximum effort into making semiconductor products better and more reliable, but there is always the possibility that trouble may occur with them. Trouble with semiconductors may lead to personal injury, fire or property damage. Remember to give due consideration to safety when making your circuit designs, with appropriate measures such as (i) placement of substitutive, auxiliary circuits, (ii) use of nonflammable material or (iii) prevention against any malfunction or mishap.

#### **Notes regarding these materials**

- These materials are intended as a reference to assist our customers in the selection of the Renesas Technology product best suited to the customer's application; they do not convey any license under any intellectual property rights, or any other rights, belonging to Renesas Technology Corporation, Renesas Solutions Corporation or a third party.
- Renesas Technology Corporation and Renesas Solutions Corporation assume no responsibility for any damage, or infringement of any third-party's rights, originating in the use of any product data, diagrams, charts, programs, algorithms, or circuit application examples contained in these materials.
- All information contained in these materials, including product data, diagrams, charts, programs and algorithms represents information on products at the time of publication of these materials, and are subject to change by Renesas Technology Corporation and Renesas Solutions Corporation without notice due to product improvements or other reasons. It is therefore recommended that customers contact Renesas Technology Corporation, Renesas Solutions Corporation or an authorized Renesas Technology product distributor for the latest product information before purchasing a product listed herein. The information described here may contain technical inaccuracies or typographical errors. Renesas Technology Corporation and Renesas Solutions Corporation assume no responsibility for any damage, liability, or other loss rising from these inaccuracies or errors. Please also pay attention to information published by Renesas Technology Corporation and Renesas Solutions Corporation by various means, including the Renesas home page (<http://www.renesas.com>).
- When using any or all of the information contained in these materials, including product data, diagrams, charts, programs, and algorithms, please be sure to evaluate all information as a total system before making a final decision on the applicability of the information and products. Renesas Technology Corporation and Renesas Solutions Corporation assume no responsibility for any damage, liability or other loss resulting from the information contained herein.
- Renesas Technology semiconductors are not designed or manufactured for use in a device or system that is used under circumstances in which human life is potentially at stake. Please contact Renesas Technology Corporation, Renesas Solutions Corporation or an authorized Renesas Technology product distributor when considering the use of a product contained herein for any specific purposes, such as apparatus or systems for transportation, vehicular, medical, aerospace, nuclear, or undersea repeater use.
- The prior written approval of Renesas Technology Corporation and Renesas Solutions Corporation is necessary to reprint or reproduce in whole or in part these materials.
- If these products or technologies are subject to the Japanese export control restrictions, they must be exported under a license from the Japanese government and cannot be imported into a country other than the approved destination. Any diversion or reexport contrary to the export control laws and regulations of Japan and/or the country of destination is prohibited.
- Please contact Renesas Technology Corporation or Renesas Solutions Corporation for further details on these materials or the products contained therein.

#### **Precautions to be taken when using this product**

- This product is a development supporting unit for use in your program development and evaluation stages. In mass-producing your program you have finished developing, be sure to make a judgment on your own risk that it can be put to practical use by performing integration test, evaluation, or some experiment else.
- In no event shall Renesas Solutions Corporation be liable for any consequence arising from the use of this product.
- Renesas Solutions Corporation strives to cope with the issues given below at some charge or without charge.
- This product has been developed by assuming its use for program development and evaluation in laboratories. Therefore, it does not fall under the application of Electrical Appliance and Material Safety Law and protection against electromagnetic interference when used in Japan.

For inquiries about the contents of this document or product, fill in the text file the installer of the emulator debugger generates in the following directory and email to your local distributor.

\\SUPPORT\Product-name\SUPPORT.TXT

Renesas Tools Homepage <http://www.renesas.com/en/tools>

# Contents

Chapter 1. Precautions for Safety .....	4
Chapter 2. Introduction .....	6
2.1 Things to Check When Unpacking .....	6
Chapter 3. Usage .....	7
3.1 Programming Procedure .....	7
3.2 Attaching the Adapter to a PROM Programmer .....	8
3.3 Mounting an MCU into the Adapter .....	9
3.4 Setting the Programming Areas .....	10
3.5 Recommended PROM Programmers .....	10
Chapter 4. Specifications .....	11
4.1 Specifications .....	11
4.2 Memory Maps .....	12
Chapter 5. Troubleshooting .....	13
5.1 Errors That Occur When Writing to PROM .....	13
(1) When Newly Purchased .....	13
(2) Previously Written Normally .....	13
5.2 MCUs Do Not Function Normally .....	14
5.3 Other Precautions .....	14
(1) About the Recommended PROM Programmers .....	14
(2) About Reading Out of Device Identification Code .....	14

# Chapter 1. Precautions for Safety

In both the user's manual and on the product itself, several icons are used to insure proper handling of this product and also to prevent injuries to you or other persons, or damage to your properties.

This chapter describes the precautions which should be taken in order to use this product safely and properly. Be sure to read this chapter before using this product.



## WARNING

If the requirements shown in the "WARNING" sentences are ignored, the equipment may cause serious personal injury or death.



## CAUTION

If the requirements shown in the "CAUTION" sentences are ignored, the equipment may malfunction.

## IMPORTANT

It means important information on using this product.

In addition to the three above, the following are also used as appropriate.

 means WARNING or CAUTION.

Example:  **CAUTION AGAINST AN ELECTRIC SHOCK**

 means PROHIBITION.

Example:  **DISASSEMBLY PROHIBITED**

 means A FORCIBLE ACTION.

Example:  **UNPLUG THE POWER CABLE FROM THE RECEPTACLE.**

The following pages describe the symbols "WARNING", "CAUTION", and "IMPORTANT".

## **WARNING**

### **Warnings for Use Environment:**



- This equipment is to be used in an environment with a maximum ambient temperature of 35°C. Care should be taken that this temperature is not exceeded.
- Select the proper programming mode of the PROM programmer.

## **CAUTION**

### **Caution to Be Taken for Modifying This Product:**



- Do not disassemble or modify this product. Disassembling or modifying this product can cause damage. Disassembling and modifying the product will void your warranty.

### **Cautions to Be Taken for Handling This Product:**



- Use caution when handling this product. Be careful not to apply a mechanical shock such as falling.
- Do not directly touch the connector pins of this product.
- Be careful with the static electricity when handling this product and the MCU.

### **Caution for Keeping This Product:**

- When not using this product for a long time:
  - (1) Attach the connector pins of this product to the conductive sponge.
  - (2) Put it into a conductive polyvinyl, and keep it in the package case shipped from the factory.
  - (3) Store it in the place where humidity and temperature are low and direct sunshine does not strike.

## **IMPORTANT**

### **When Using The Product:**

- Attach this product to the IC socket on the PROM programmer properly.
- Mount the MCU to the IC socket of this product properly.
- When opening and closing the IC socket of this product, be sure to keep it horizontal.
- Be sure to specify the programming area of the PROM programmer properly.
- Do not use the PROM programmer's device identification code readout function.

## Chapter 2. Introduction

The PCA7400 is a PROM programming adapter for the M37281EKSP (16-bit MCU). This adapter is a tool that can be used to write programs into an internal PROM of MCUs using a commercially available PROM programmer.

This manual describes the specifications and the operation of the PCA7400.

Figure 2.1 shows the external view of the PCA7400 and its constituent parts.

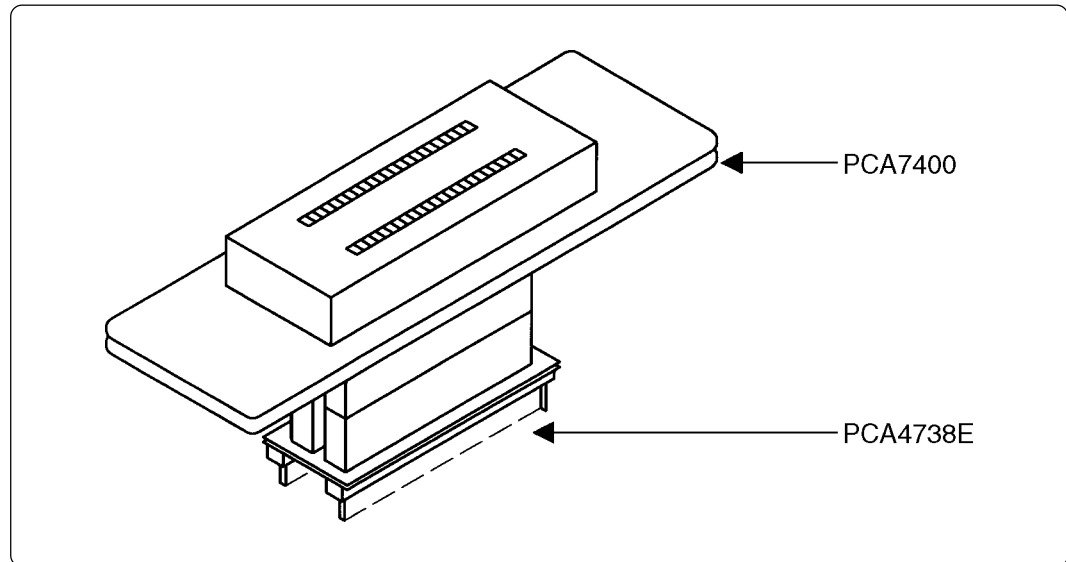


Figure 2.1 External view of the adapter and its constituent parts

### 2.1 Things to Check When Unpacking

This product consists of the following parts listed in Table 2.1. When unpacking, check to see that it contains all of the components shown in Table 2.1 below.

Table 2.1 Package components

Main unit	PCA7400
Connector	PCA4738E (32-pin)
User's manual	This manual

If any part is missing or there is any doubt about your product package, contact your local distributor.



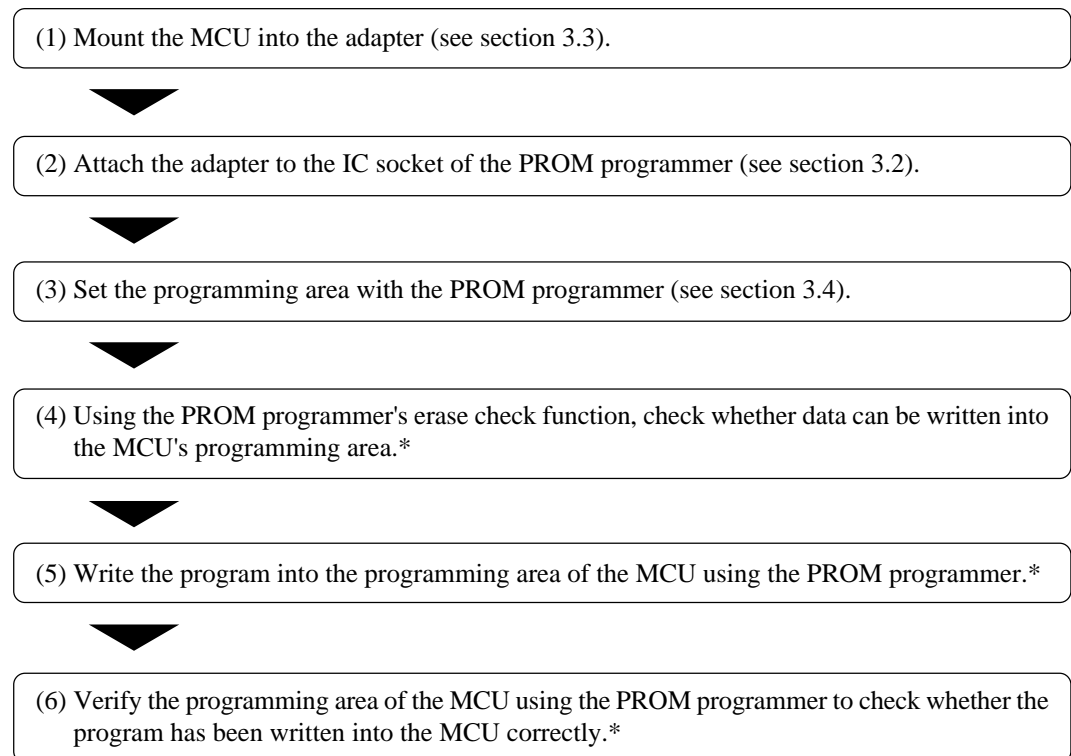
# Chapter 3. Usage

This chapter describes procedures you need to follow when writing the program.

For details on how to operate the PROM programmer, refer to the user's manual of the PROM programmer.

## 3.1 Programming Procedure

Follow these procedures (1) through (6) to write the program into the MCU.



### Notes

\* Be sure to set the programming area. Otherwise the mode's shift to the programming mode may not be performed successfully. The erase check function and others may not also be performed completely.

\* Some PROM programmers perform the steps (4) to (6) automatically.

### 3.2 Attaching the Adapter to a PROM Programmer

As shown in Figure 3.1, attach the pin No. 1 of the connector (standard-pitch 32-pin pin-header mounted) to the pin No. 1 of the IC socket of the PROM programmer.

**Be careful when attaching the adapter because incorrect insertion can cause fatal damage to the MCU.**

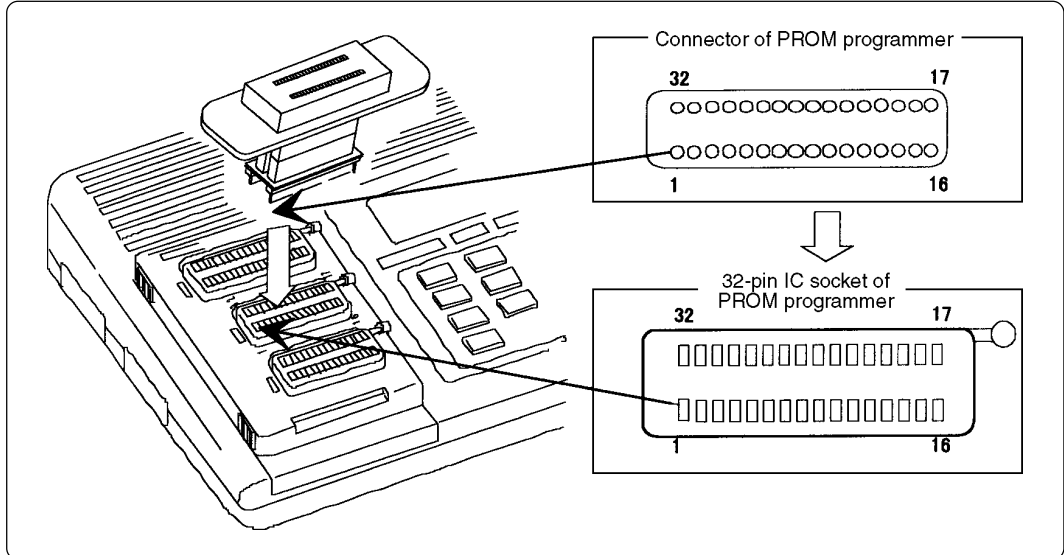


Figure 3.1 Attaching the adapter to a PROM programmer

### 3.3 Mounting an MCU into the Adapter

As this product uses an IC socket for 54-pin shrink DIP, mount the MCU into the IC socket with the No. 1 pin of the MCU matched to the No. 2 pin of the IC socket on the PCA7400 (SET BOTTOM).

**Be careful when inserting the MCU because incorrect insertion can cause fatal damage to the MCU.**

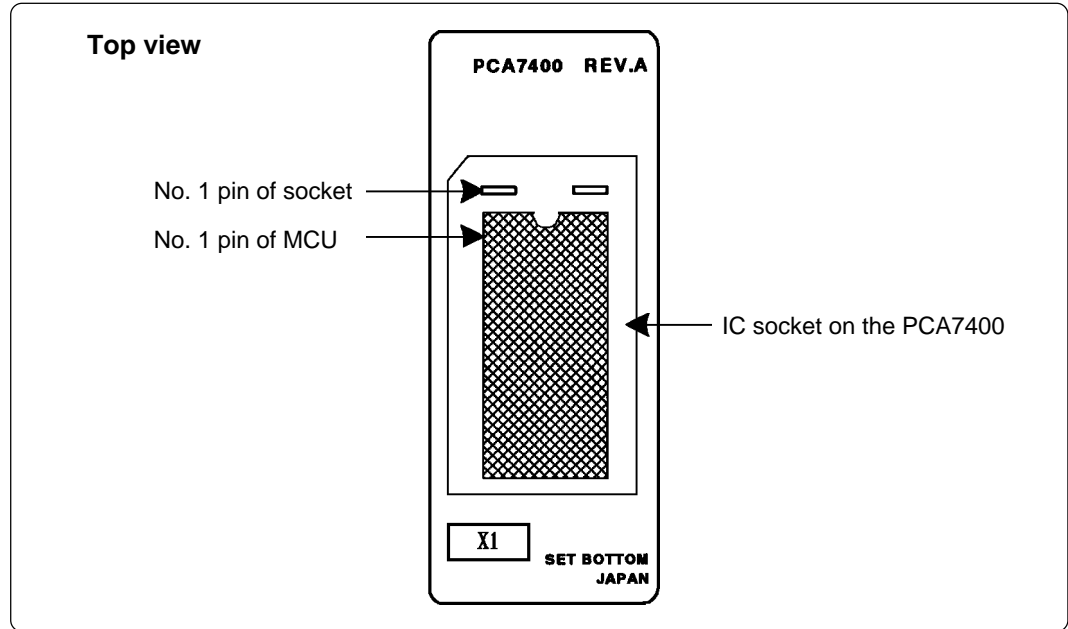


Figure 3.2 Mounting an MCU

## CAUTION

### Caution to Be Taken for Handling MCU:



- Do not touch the connector in the IC socket and the pins on the PROM programmer connector. Otherwise it can cause an electrical insulation failure because of dirt. When not using, attach the connector pins of this product to the conductive sponge as it was shipped from the factory.

### 3.4 Setting the Programming Areas

When writing the program into the MCU, be sure to set the programming area. And also, specify its device of the PROM programmer.

*Table 3.1 Programming areas*

MCU type name	ROM capacity	PROM programmer		ROM area of MCU
		Device	Programming area	
M27281EKSP	Internal ROM (60K+20K bytes)	M5M27C101	01000 <sub>16</sub> --0FFFF <sub>16</sub> 1B000 <sub>16</sub> --1FFFF <sub>16</sub>	01000 <sub>16</sub> --0FFFF <sub>16</sub> 1B000 <sub>16</sub> --1FFFF <sub>16</sub>
	OSD display (20400+9672 bytes)		10800 <sub>16</sub> --157FF <sub>16</sub> 18000 <sub>16</sub> --1ACFF <sub>16</sub>	10800 <sub>16</sub> --157FF <sub>16</sub> 18000 <sub>16</sub> --1ACFF <sub>16</sub>

### 3.5 Recommended PROM Programmers

The PROM programmers listed in Table 3.2 are recommended for the adapter PCA7400. Using the actual products, we have verified that these PROM programmers can be used to write programs without problem. Nonconformity occurring by using any other PROM programmers can not be supported. For the latest type of PROM programmers, contact the manufacturer to confirm whether it can be used for your product.

*Table 3.2 Recommended PROM programmers*

Manufacturer	Type name	Device	Programming voltage (V <sub>PP</sub> )
Advantest Corporation	R4945	M5M27C101 mode	12.5 V
	R4945A		

# Chapter 4. Specifications

## 4.1 Specifications

Table 4.1 lists specifications of the PCA7400.

Table 4.1 Specifications

Applicable MCUs		M37281EKSP
IC socket		IC59-5406-G4 (made by Yamaichi Electronics Co., Ltd.) 54-pin shrink DIP socket
Operating clock frequency		8 MHz (Supplied by the ceramic oscillator mounted on the adapter)
Power supply		Supplied from Vcc of the PROM programmer
Board configuration	PCA7400	Board to insert a programmable MCU (IC socket for MCU mounted on it)
	PCA4738E	Board to connect to the PROM programmer (Standard-pitch 32-pin pin-header mounted)

### CAUTION

#### MCU's Latest Information:

- For the latest information of the MCUs, visit the Renesas Tools Homepage.  
<http://www.renesas.com/en/tools>

## 4.2 Memory Maps

Figure 4.1 shows memory maps of the MCU and the PROM programmer.

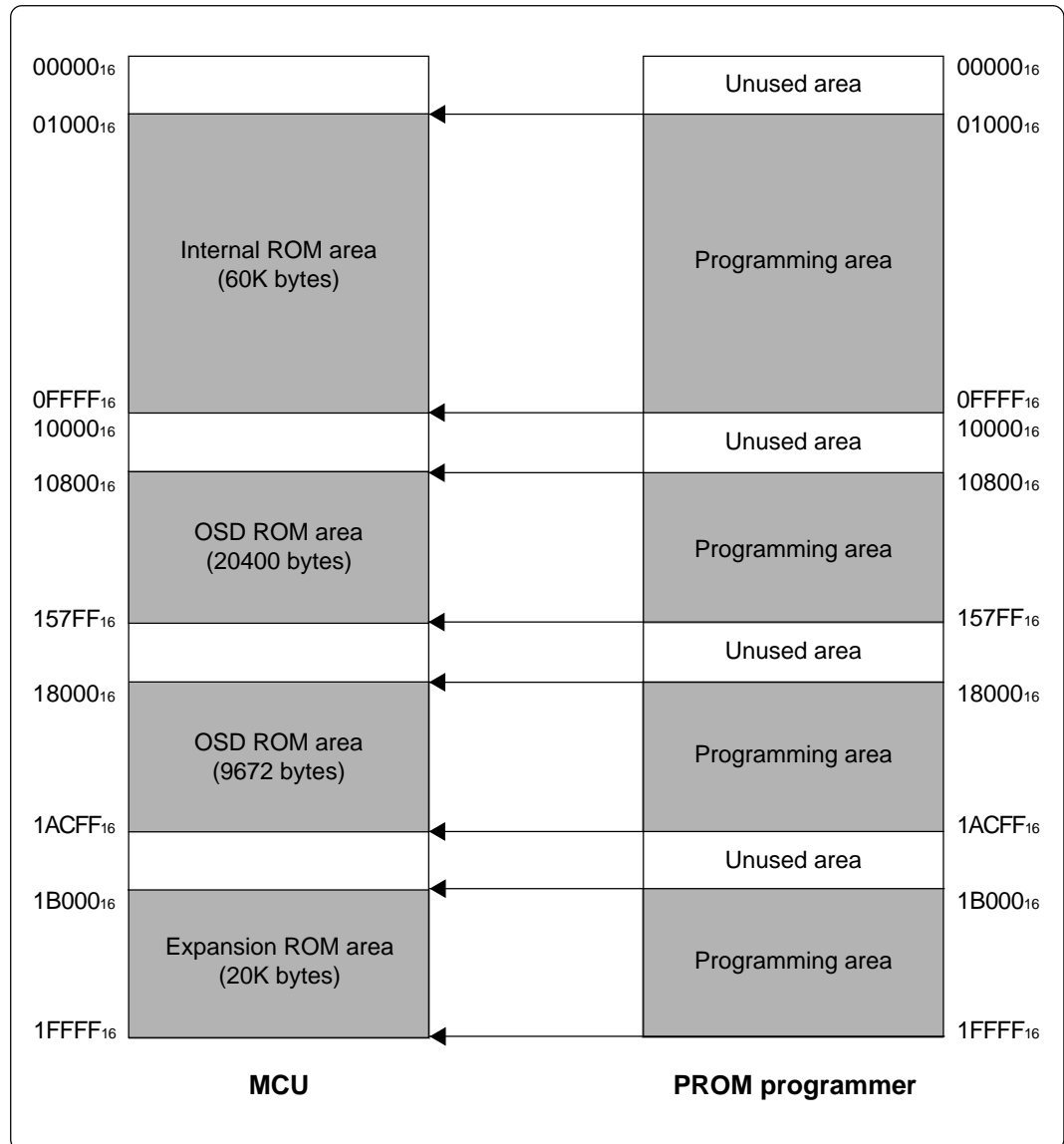


Figure 4.1 Memory map

# Chapter 5. Troubleshooting

The table below summarizes errors to be checked carefully before you determine them to be a fault.

## 5.1 Errors That Occur When Writing to PROM

### (1) When Newly Purchased

Cause	Remedy	See page
Programming adapter	Is the adapter attached to the correct position of the PROM programmer?	8
	Is the MCU attached to the correct position?	9
PROM programmer	Is the area specification set correctly?	10
	Is the correct device selected?	10
Contact failure	The IC socket of the PROM programmer may be stained. The socket needs replacing.	-

### (2) Previously Written Normally

Cause	Remedy	See page
Programming adapter	Is the adapter attached to the correct position of the PROM programmer?	8
	Is the MCU attached to the correct position?	9
PROM programmer	Is the area specification set correctly?	10
	Is the correct device selected?	10
Contact failure	The IC socket of the PROM programmer may be stained. The socket needs replacing.	-
	The PROM programmer connector at which the PROM programmer is contacted may be stained. Clean it with alcohol, etc.	-

## 5.2 MCUs Do Not Function Normally

The program operates normally on the emulator, but when the MCU that has normally been written is attached the same program does not function normally.

- (1) Is the offset address specified correctly when copying data into the PROM programmer?
- (2) In the emulator, NOPs are often inserted in the area where the program has not been read, therefore the program happens to appear functioning normally even though it may have gone wild. Check your program again.
- (3) The emulator and the actual MCU may differ in characteristics. Consult the user's manual of the emulation pod to check for differences in characteristics again.

## 5.3 Other Precautions

### (1) About the Recommended PROM Programmers

Not all PROM programmers available on the market can be checked to see if they function properly. There are several PROM programmers that we have verified to function properly. These products are listed as recommended PROM programmers in this user's manual. Other PROM programmers may also be used providing that you verified them to function properly.

Note: No matter which type of PROM programmer you use, it is necessary to verify completion of programming by executing screening, etc. that are stipulated for each MCU used.

### (1) About Reading Out of Device Identification Code \*1

Please do not use the PROM programmer's device identification code readout function.

Using this function may break down the MCU. The device identification code is included in EPROM to indicate the manufacturer code and device code; it is not included in the MCU.

\*1 Depending on PROM programmer manufacturers, this may be referred to by another name (e.g. ID code).



# PCA7400 User's Manual

---

Rev. 1.00  
July 1, 2003  
REJ10J0180-0100Z

COPYRIGHT ©2003 RENESAS TECHNOLOGY CORPORATION  
AND RENESAS SOLUTIONS CORPORATION ALL RIGHTS RESERVED

PCA7400  
User's Manual



Renesas Electronics Corporation

1753, Shimonumabe, Nakahara-ku, Kawasaki-shi, Kanagawa 211-8668 Japan

REJ10J0180-0100Z