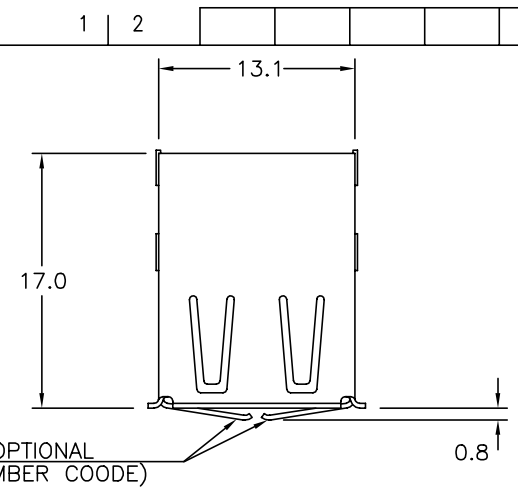
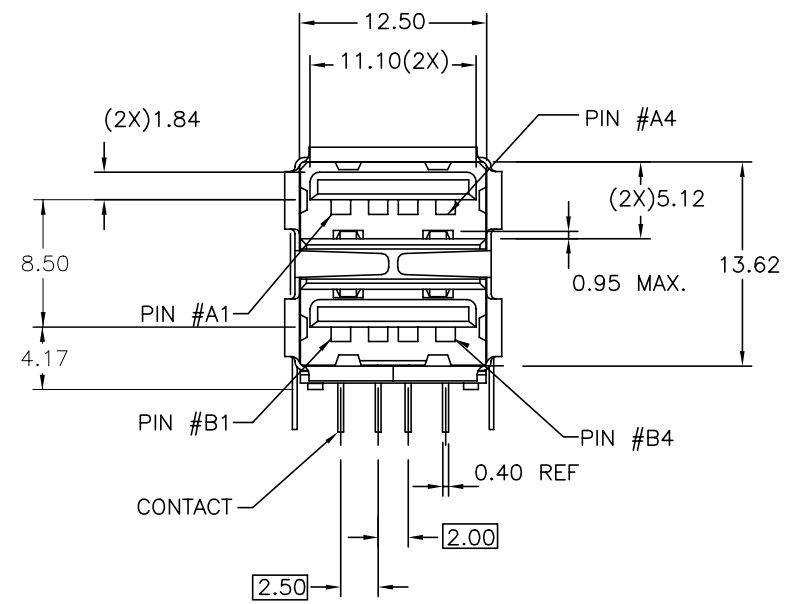


- NOTES:
- MATERIAL:
CONTACTS—COPPER ALLOY
SHELL—COPPER ALLOY
HOUSING—UL 94-V-0 RATED THERMOPLASTIC.
 - PLATING:
CONTACTS: SEE PRODUCT NUMBER CODE;
SHELL: SEE PRODUCT NUMBER CODE.
 - DATUM AND BASIC DIMENSIONS ESTABLISHED BY CUSTOMER.
 - RECOMMENDED PC BOARD THICKNESS OF 1.57mm.
 - P/N SEE PRODUCT NUMBER CODE.
(TO BE CONTINUED)

mat'l. code NOTE 1 & 2				tolerances unless otherwise specified			CUSTOMER COPY		FCI www.fciconnect.com	
ltr	ecn no	dr	date	linear	.X ±.30		projection	title UNIV. SERIAL BUS		
AC	N05-0068	PH	03/09/05		.XX ±.20			DOUBLE DECK RECEPTACLE		
AD	N05-0106	PH	04/13/05		.XXX ±.10			product family USB		
AE	N06-0101	HB	04/13/06	angles	0° ±3°		mm	size dwg no		
AF	N06-0133	HB	05/17/06	dr	PETER	12/10/97		code		
AG	N08-0198	R.B	2008/09/10	engr	R Y LIU	12/10/97	scale	sheet		
AH	N08-0238	R.B	2008/11/01	chr	R Y LIU	12/10/97		1 of 4		
AJ	ELX-N-004655	AZH	2011/07/26	appd	JENN TSAO	12/10/97	A4		72309	
sheet	revision									
index	sheet									



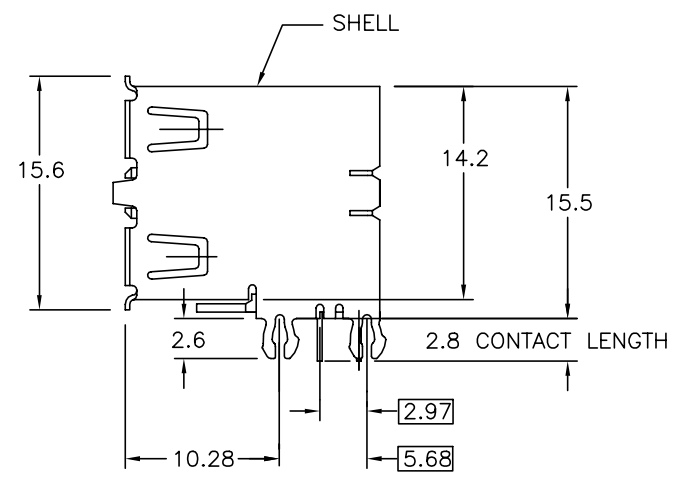
CONTACT ARMS OPTIONAL
(SEE PRODUCT NUMBER COODE)



ASSEMBLY WITHOUT BACK SHIELD
72309-XX3XX SHOWN

(CONTINUED)

6. FOR LEAD FREE P/N, A LEAD FREE LABEL WILL APPEAR AT PACKING.
7. FOR LEAD FREE P/N, THE HOUSING WILL WITHSTAND EXPOSURE TO 260°C PEAK TEMPERATURE FOR 40 SECONDS IN A CONVECTION, INFRA-RED OR VAPOR PHASE REFLOW OVEN.
8. FOR LEAD FREE P/N, THE PRODUCT MEET EUROPEAN UNION DIRECTIVES AND OTHER COUNTRY REGULATION AS DESCRIBED IN GS-22-008
9. PACKAGING SPECIFICATION PER GS-14-393.
10. PRODUCT SPECIFICATION PER GS-12-095.

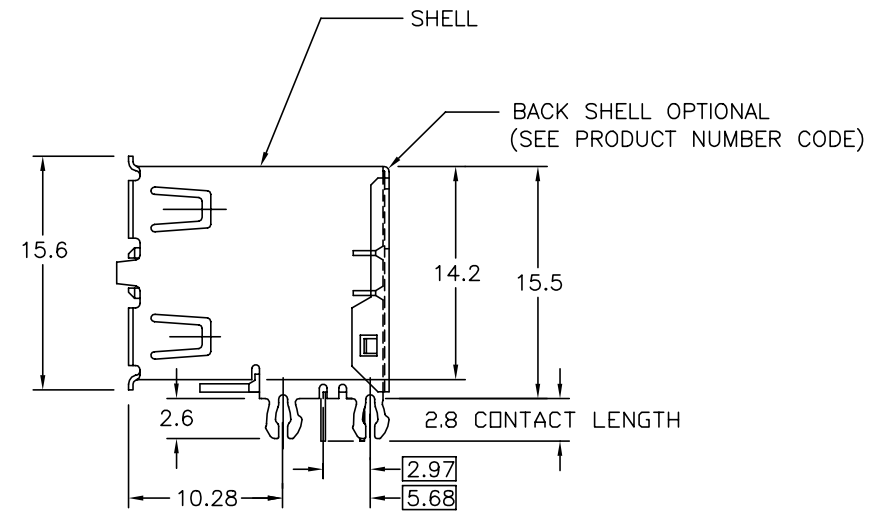
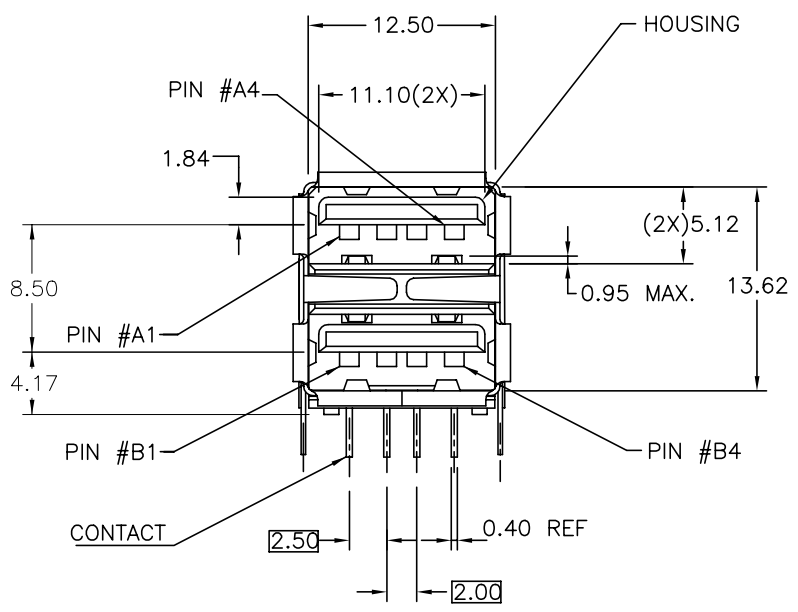
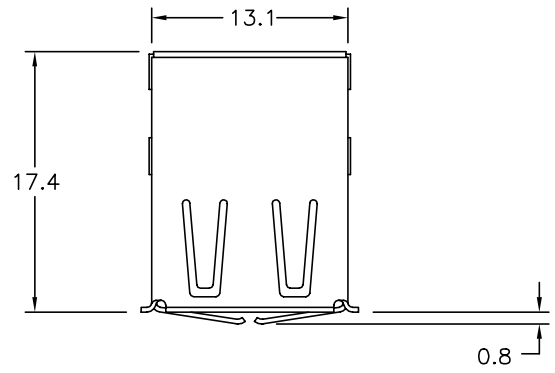


mat'l. code				tolerances unless otherwise specified			CUSTOMER COPY		FCI			
ltr	ecn no	dr	date	linear	.X ±.30			projection	www.fciconnect.com			
AJ					.XX ±.20				title	UNIV. SERIAL BUS		
					.XXX ±.10					DOUBLE DECK RECEPTACLE		
				angles	0° ±3°			mm	product family			
				dr	PETER PAM	12/10/97	scale		USB		code	
				enr	R Y LIU	12/10/97		2 : 1	size		sheet	
				chr	R Y LIU	12/10/97			A4		72309	
				appd	JENN TSAO	12/10/97			2 of 4			
sheet index	revision sheet								cage code			

Tous droits strictement réservés. Reproduction ou communication a des tiers interdite sous quelque forme que ce soit sans autorisation écrite du propriétaire.
Propriete de ©FCI. Droits de reproduction FCI.



All rights strictly reserved. Reproduction or issue to third parties in any form whatever is not permitted without written authority from the proprietor.
Property of ©FCI. Copyright FCI.



ASSEMBLY WITH BACK SHIELD
72309 - XX4XX SHOWN

mat'l. code				tolerances unless otherwise specified			CUSTOMER COPY		FCI www.fciconnect.com	
ltr	ecn no	dr	date	linear	.X ±.30			projection	title	
AJ					.XX ±.20				UNIV. SERIAL BUS	
					.XXX ±.10				DOUBLE DECK RECEPTACLE	
				angles	0° ±3°			mm	product family	
				dr	PETER PAM	12/01/97	USB		code	
				engr	R Y LIU	12/10/97	size		sheet	
				chr	R Y LIU	12/10/97	dwg no		3 of 4	
				appd	JENN TSAO	12/10/97	scale	A4		
							2 : 1	72309		
sheet index	revision sheet							cage code		

PRODUCT NUMBER CODE

72309 - X X X X X P S LF

- BASE PRODUCT NUMBER
- HOUSING COLOR + SHELL PLATING OPTIONS
 - 0 - WHITE + NICKEL & TIN LEAD PLATING
 - 1 - BLACK + NICKEL & TIN LEAD PLATING
 - 2 - WHITE + NICKEL PLATING ONLY
 - 3 - BLACK + NICKEL PLATING ONLY
 - 4 - WHITE + NICKEL PLATING ONLY + LCP HSG
 - 5 - BLACK + NICKEL PLATING ONLY + LCP HSG
 - 6 - BLACK + NICKEL & TIN LEAD PLATING + LCP HSG
 - 7 - BLACK + NICKEL & BRIGHT TIN PLATING
 - 8 - WHITE + NICKEL & BRIGHT TIN PLATING
 - 9 - BLACK + NICKEL & BRIGHT TIN PLATING +LCP HSG
 - A - BLACK + NICKEL & MATTE TIN PLATING +LCP HSG
 - S - BLACK + NICKEL PLATING ONLY + LCP HSG
- SHELL PLATING OPTION
 - 0 - BARREL-PLATING
 - 1 - PRE-PLATING
- SHELL OPTIONS
 - 1 - NO BACK SHIELD, NO ARMS, FRONT GROUNDING ARMS
 - 2 - BACK SHIELD, NO FRONT GROUNDING ARMS
 - 3 - NO BACK SHIELD, FRONT GROUNDING ARMS
 - 4 - BACK SHIELD, FRONT GROUNDING ARMS
- TERMINAL OPTION
 - 3 - 50u" Ni UNDERPLATE,30u" GXT CONTACT AREA,100u" MATTE TIN TAIL AREA
2.80mm TAIL LENGTH
 - 4 - 50u" Ni UNDERPLATE,30u" GXT CONTACT AREA,100u" MATTE TIN TAIL AREA
2.80mm TAIL LENGTH
 - 5 - 50u" Ni UNDERPLATE,30u" GOLD CONTACT AREA,100u" MATTE TIN TAIL AREA
3.94mm TAIL LENGTH
- PACKAGING OPTIONS
 - B - TUBES
 - R - TAPE & REEL
- WITH DATE CODE
- ONLY FOR PANASONIC
- LEAD FREE MARK

NOTE:

AVAILABLE P/N'S IN FCI NOW FOLLOWED:

- 72309-0010X/8014XLF
- 72309-0012X/8013XLF
- 72309-0020X/8024XLF
- 72309-0022X/8023XLF
- 72309-0030X/8034XLF
- 72309-0032X/8033XLF
- 72309-0040X/8044XLF
- 72309-0042X/8043XLF
- 72309-1010X/7014XLF
- 72309-1012X/7013XLF
- 72309-1020X/7024XLF
- 72309-1022X/7023XLF
- 72309-1030X/7034XLF
- 72309-1032X/7033XLF
- 72309-1040X/7044XLF
- 72309-1042X/7043XLF
- 72309-0110X/8114XLF
- 72309-0112X/8113XLF
- 72309-0120X/8124XLF
- 72309-0122X/8123XLF
- 72309-0130X/8134XLF
- 72309-0132X/8133XLF
- 72309-0140X/8144XLF
- 72309-0142X/8143XLF
- 72309-1110X/7114XLF
- 72309-1112X/7113XLF
- 72309-1120X/7124XLF
- 72309-1122X/7123XLF
- 72309-1130X/7134XLF
- 72309-1132X/7133XLF
- 72309-1140X/7144XLF
- 72309-1142X/7143XLF
- 72309-2010X/2014XLF
- 72309-2012X/2013XLF
- 72309-2020X/2024XLF
- 72309-2022X/2023XLF
- 72309-2030X/2034XLF
- 72309-2032X/2033XLF
- 72309-2040X/2044XLF
- 72309-2042X/2043XLF
- 72309-3010X/3014XLF
- 72309-3012X/3013XLF
- 72309-3020X/3024XLF
- 72309-3022X/3023XLF
- 72309-3030X/3034XLF
- 72309-3032X/3033XLF
- 72309-3040X/3044XLF
- 72309-3042X/3043XLF
- 72309-4040X/4044XLF
- 72309-5012X/5013XLF
- 72309-5030X/5034XLF
- 72309-5040X/5044XLF/5044XSLF
- 72309-5140X/5144XLF
- 72309-6220X/9224XLF
- 72309-A034XLF
- 72309-3015XLF
- 72309-3045XLF
- 72309-S033XPLF
- 72309-S034XPLF

LEAD FREE CONVERSION RULES -
 HOUSING COLOR AND SHELL PLATING OPTION: 0 TO 8, 1 TO 7, 6 TO 9
 TERMINAL PLATING OPTION: 0 TO 4, 2 TO 3
 SPECIFIC SHELL MATERIAL FOR 12K CYCLES DURABILITY,
 PART NUMBER: 72309-S033XPLF/-S034XPLF

Tous droits strictement reserves. Reproduction ou communication a des tiers interdite
 sous quelque forme que ce soit sans autorisation écrite du propriétaire.
 Propriete de ©FCI. Droits de reproduction FCI.



All rights strictly reserved. Reproduction or issue to third parties in any form
 whatever is not permitted without written authority from the proprietor.
 Property of ©FCI. Copyright FCI.

mat'l. code		tolerances unless otherwise specified			CUSTOMER COPY		FCI www.fciconnect.com		
NOTE 1 & 2									
ltr	ecn no	dr	date		linear	projection	title		
AJ								UNIV. SERIAL BUS DOUBLE DECK RECEPTACLE	
					angles	mm	product family		
			dr	FUSSELMAN	5/10/96			USB	
			enr	J. DAVID	5/10/96	scale	size		
			chr	J.DAVID	6/29/96		2:1	dwg no	
			appd	J.DAVID	6/29/96			A4	72309
sheet index	revision sheet							code	
								-	
								sheet	
								4 of 4	