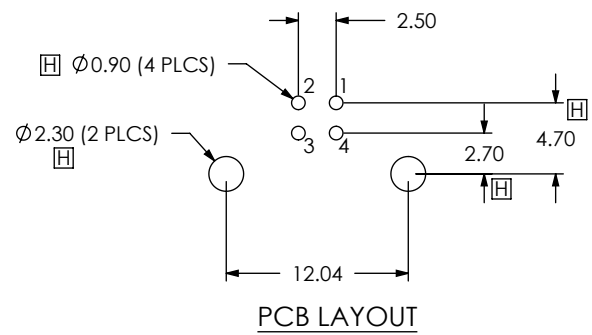


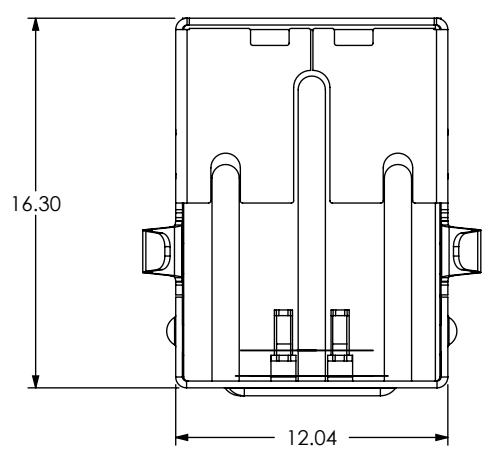
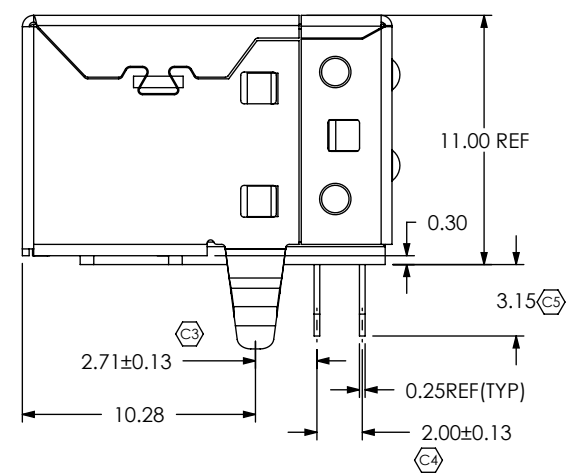
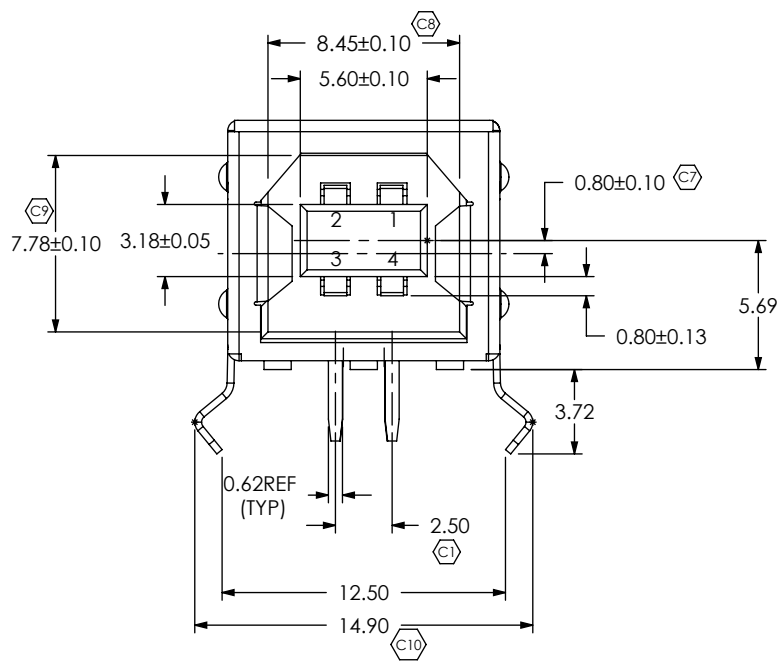
DO NOT SCALE FROM THIS PRINT



DESIGNED & DIMENSIONED IN MILLIMETERS

USB-R-B-S-X-O-TH-X

- TYPE B
- CONFIGURATION -S: SINGLE
- PLATING SPECIFICATION (C3) -F: 1μ" MIN GOLD IN CONTACT AREA, MATTE TIN ON TAIL -S: 30 μ" GOLD IN CONTACT AREA, MATTE TIN ON TAIL
- E&I OPTION -R: ROHS COMPLIANT (-R CALLOUT ONLY AVAILABLE TO EXISTING CUSTOMERS) (SEE NOTE 4)
- TERMINATION -TH: THROUGH HOLE
- COLOR -O: ORANGE



NOTES:

1. INCREASED RETENTION ,ORANGE INSULATOR COLOR.
2. (C) REPRESENTS A CRITICAL DIMENSION.
3. WHEN MATED CONNECTION MUST WITHSTAND 15N DEMATING FORCE FOR 1 MINUTE MINIMUM.
4. PARTS ARE ROHS COMPLIANT WITH OR WITHOUT -R OPTION

<p>UNLESS OTHERWISE SPECIFIED, DIMENSIONS ARE IN MILLIMETERS. TOLERANCES ARE: DECIMALS ANGLES X.X: ±0.3 2° X.XX: ±0.25 X.XXX: ±0.13</p>	<p>PROPRIETARY NOTE THIS DOCUMENT CONTAINS INFORMATION CONFIDENTIAL AND PROPRIETARY TO SAMTEC, INC. AND SHALL NOT BE REPRODUCED OR TRANSFERRED TO OTHER DOCUMENTS OR DISCLOSED TO OTHERS OR USED FOR ANY PURPOSE OTHER THAN THAT WHICH IT WAS OBTAINED WITHOUT THE EXPRESSED WRITTEN CONSENT OF SAMTEC, INC.</p>	<p>samtec 520 PARK EAST BLVD, NEW ALBANY, IN 47150 PHONE: 812-944-6733 FAX: 812-948-5047 e-Mail: info@SAMTEC.com code: 55322</p>
<p>MATERIAL: DO NOT SCALE DRAWING SHEET SCALE: 2:1 INSULATOR: NYLON 9T (RATED UL94V-O) COLOR: ORANGE CONTACT: PHOS BRONZE REAR SHIELD: NICKEL PLATED STEEL FRONT SHIELD: NICKEL PLATED PHOS BRONZE MAX FLASH ALLOWED: 0.05 MAX GATE VESTIGE: 0.05</p>	<p>DESCRIPTION: HIGH RETENTION USB TYPE B THROUGH HOLE</p> <p>DWG. NO. USB-R-B-S-X-O-TH-X</p> <p>BY: STEVEN XU 10-20-2010 SHEET 1 OF 1</p>	