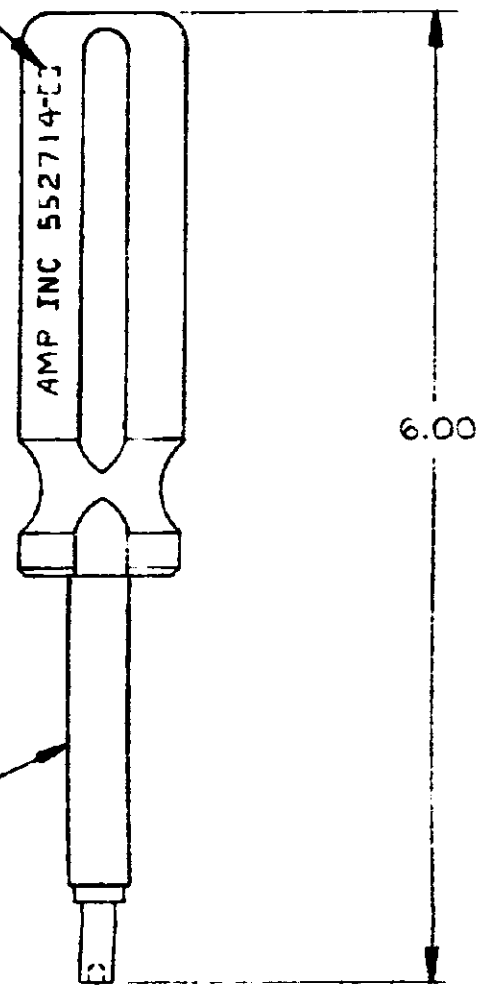


DRAWING MADE IN THIRD ANGLE PROJECTION

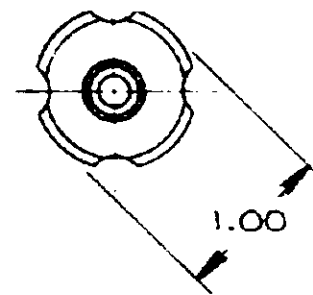
© COPYRIGHT 1979 BY AMP INCORPORATED, HARRISBURG, PA. ALL INTERNATIONAL RIGHTS RESERVED. AMP INCORPORATED PRODUCTS COVERED BY U. S. AND FOREIGN PATENTS AND/OR PATENTS PENDING.

REVOLUTIONS		DATE	APPROVED
P	F	DESCRIPTION	
6	1	REV PER ECN AA-1556	3/19/82 MS

PART NUMBER
(SEE TABLE)



COLOR CODED
HEAT-SHRINK
TUBING



1. MATERIAL: HANDLE - CELLULOSIC - (AMBER).
SHANK & PIN - CARBON STEEL.
2. ALL DIMENSIONS SHOWN ARE FOR REFERENCE ONLY,
UNLESS OTHERWISE SPECIFIED.

WAS 1222-77-1 THRU-4 1-6

552714

COLOR CODE	WIRE RANGE	FOR USE WITH TERMINAL NO.	PART NO
GREEN	26-28 AWG	553015-1 & -2	552714-5
BLUE	22-28 AWG	552967-1 & -2	552714-4
WHITE	24-28 AWG	552699-1 THRU-6	552714-3
RED	18-24 AWG	552770-1 & -2	552714-2
YELLOW	18-22 AWG	552699-1 THRU-6	552714-1

UNLESS OTHERWISE SPECIFIED DIMENSIONS ARE IN INCHES. TOLERANCES ON: DECIMALS ± .001 ANGLES ± .001	CONTRACT NO 10-4-79	 AMP INCORPORATED Harrisburg, Pa.
	DR: <i>D. Boman</i> CHK: <i>V.E. Staud</i> 10/5/79 APPD: <i>R. Boman</i> 11/15/79 APPD:	
MATERIAL ⚠	DSGN APPD	SIZE CODE IDENT NO DRAWING NO C 00779 552714
FINISH —	OTHER APPD <i>R. Kersch</i> 12/12/79	SCALE 1/1 SHEET 1 OF 1