

Thermofit[®] Molded Parts

Specification Control Drawing

Limited Distribution

Part Number : 562A011 thru 067-25/225
 Description : Transition,
 1 to 4 Cables

NOTES

- All dimensions are in $\frac{\text{inches}}{\text{[millimeters]}}$; $\frac{\text{lbs}}{\text{[gms]}}$
- Dimensions appearing in table are as follows:
 - As Supplied
 - After Unrestricted Recovery
- Coating is optional. As supplied dimensions appearing in table are for uncoated parts. When coating is added, entry diameters will be reduced by .06 max.
- Molding ports are optional. When -00 modification number is specified molding ports will be located as shown.

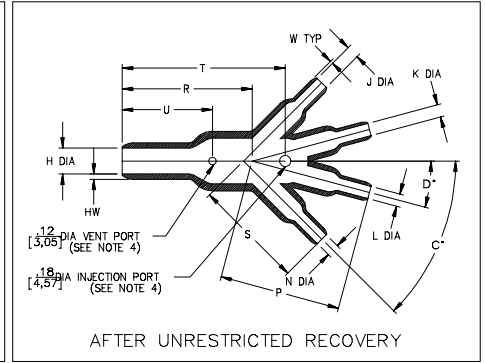
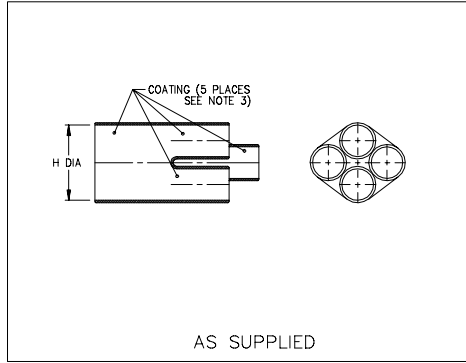


TABLE OF DIMENSIONS

| PART NUMBER | H | | J,K,L & N | | P | R | S | T | U | C* | D* | HW | W |
|----------------|----------------|----------------|----------------|---------------|-----------------|-----------------|----------------|-----------------|----------------|----|----|---------------|---------------|
| | Min | Max | Min | Max | | | | | | | | | |
| | a | b | a | b | b | b | b | b | b | b | b | b | b |
| 562A011-25/225 | .52 [13,2] | .27 [6,9] | .26 [6,6] | .14 [3,4] | .95 [24,1] | 1.51 [38,4] | .95 [24,1] | 1.73 [43,9] | .71 [18,0] | 45 | 15 | .06 [1,52] | .04 [1,02] |
| 562A022-25/225 | .76 [19,3] | .38 [9,7] | .37 [9,4] | .21 [5,3] | 1.40 [35,6] | 1.42 [36,1] | 1.26 [32,0] | 1.70 [43,2] | .91 [23,1] | 45 | 15 | .07 [1,78] | .04 [1,02] |
| 562A032-25/225 | .76 [19,3] | .38 [9,7] | .52 [13,2] | .27 [6,9] | 1.94 [49,3] | 1.42 [36,1] | 1.77 [45,0] | 1.99 [50,5] | 1.00 [25,4] | 45 | 15 | .07 [1,78] | .06 [1,52] |
| 562A043-25/225 | 1.06 [26,9] | .51 [13,0] | .52 [13,2] | .27 [6,9] | 1.94 [49,3] | 2.04 [51,8] | 1.77 [45,0] | 2.59 [65,8] | 1.32 [33,5] | 45 | 15 | .10 [2,54] | .06 [1,52] |
| 562A054-25/225 | 1.52 [38,6] | .73 [18,5] | .76 [19,3] | .38 [9,7] | 2.83 [71,9] | 2.95 [74,9] | 2.57 [65,3] | 3.75 [95,3] | 1.83 [46,5] | 45 | 15 | .12 [3,05] | .07 [1,78] |
| 562A067-25/225 | 2.19 [55,6] | 1.05 [26,7] | 1.06 [26,9] | .51 [13,0] | 4.00 [101,6] | 4.27 [108,5] | 3.64 [92,5] | 5.32 [135,1] | 2.58 [65,5] | 45 | 15 | .18 [4,57] | .10 [2,54] |

Raychem

RAYCHEM CORPORATION
 300 CONSTITUTION DRIVE
 MENLO PARK, CALIFORNIA 94025
 (415) 361-6055

Revision : A

Date : 5/27/93

Part Number : 562A011 thru 067-25/225

Description : Transition,
 1 to 4 Cables

Thermofit[®] Molded Parts

Specification Control Drawing

Limited Distribution

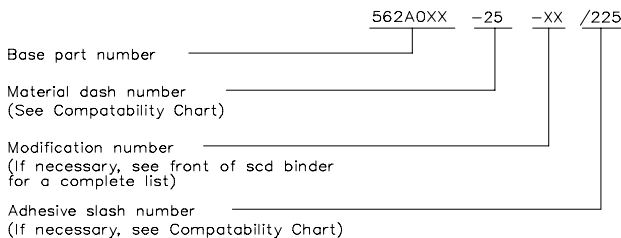
Part Number : 562A011 thru 067-25/225
 Description : Transition,
 1 to 4 Cables

COMPATABILITY CHART

| MATERIAL DASH NO. | MATERIAL DESCRIPTION | RT SPEC | COATING SLASH NO. | COATING S NO. | COATING DESCRIPTION |
|-------------------|----------------------------|---------|-------------------|---------------|---------------------|
| -25 | Elastomer, Fluid Resistant | RT-1325 | /225 | S-1206 | Adhesive |
| | | | | | |
| | | | | | |
| | | | | | |
| | | | | | |

**If this document is printed it becomes uncontrolled.
 Check for the latest revision.**

ORDERING INFORMATION



THIS DRAWING IS SUBJECT TO CHANGE WITHOUT NOTICE; CONSULT YOUR
 NEAREST FIELD REPRESENTATIVE FOR CURRENT REVISION

Raychem

RAYCHEM CORPORATION
 300 CONSTITUTION DRIVE
 MENLO PARK, CALIFORNIA 94025
 (415) 361-6055

Revision : A

Date : 5/27/93

Part Number : 562A011 thru 067-25/225

Description : Transition,
 1 to 4 Cables

CAD FILE MP93157