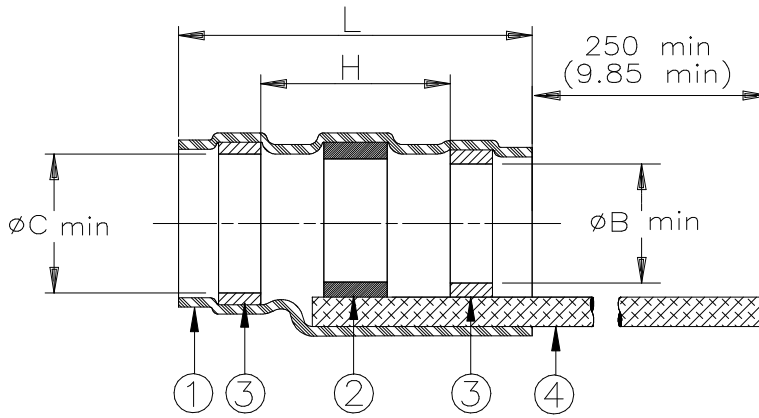


SPECIFICATION CONTROL DRAWING



Product Revision		Product Dimensions					Cable Dimensions		
Product Name	Ident. Code	L±1.75 (L±0.07)	øB min.	øC min.	H min.	øE max.	øF min.	øD max.	
S03-01-R-100	G Size1R	16.5 (0.650)	1.9 (0.075)	2.65 (0.105)	8.25 (0.325)	2.65 (0.105)	0.90 (0.035)	1.9 (0.075)	
S03-02-R-100	G Size2R	16.5 (0.650)	2.65 (0.105)	3.68 (0.145)	8.25 (0.325)	3.68 (0.145)	1.40 (0.055)	2.65 (0.105)	
S03-03-R-100	G Size3R	16.5 (0.650)	4.30 (0.170)	5.08 (0.200)	8.25 (0.325)	5.08 (0.200)	2.15 (0.085)	4.3 (0.170)	
S03-04-R-100	G Size4R	19.1 (0.750)	5.95 (0.235)	6.45 (0.255)	8.25 (0.325)	6.45 (0.255)	3.30 (0.130)	5.95 (0.235)	
S03-05-R-100	G Size5R	19.1 (0.750)	7.0 (0.275)	7.6 (0.300)	8.25 (0.325)	7.6 (0.300)	4.30 (0.170)	7.0 (0.275)	

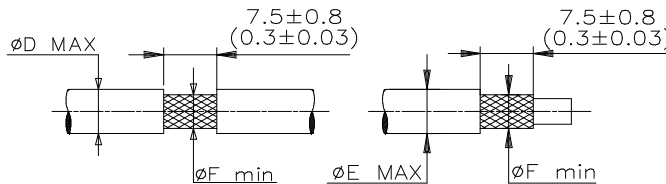
MATERIALS

- INSULATION SLEEVE: Heat-shrinkable, transparent blue, radiation cross-linked modified polyvinylidene fluoride.
- SOLDER PREFORM WITH FLUX AND THERMAL INDICATOR:
 SOLDER: TYPE Sn63 per ANSI-J-STD-006.
 FLUX: TYPE ROL1 per ANSI-J-STD-004.
 THERMAL INDICATOR: Color change violet to colorless.
- MELTABLE RINGS: Stabilized thermoplastic. Color: blue.
- PRE-INSTALLED BRAID: Tin plated copper strands. CMA 640.

APPLICATION

- These parts are designed to provide an environment protected shield termination on cables, rated for 125°C minimum, meeting the dimensional criteria listed and having tin or silver plated shields and insulation compatible with the insert material.
For compatible insulations, see MIL-S-83519/2 or consult Raychem.
- When installed per Raychem process standard RCPS-100-70, assemblies will meet those requirements of Raychem Specification RT-1404 and MIL-S-83519/2 which do not require electrical testing while parts are immersed in water.
- Temperature range: -55°C to +150°C.
- Parts shall be marked with identification code per table.

For best results, prepare the cable as shown:



SolderSleeves a trademark of TE Connectivity.

		THERMOFIT DEVICES TE Connectivity 300 Constitution Drive Menlo Park, CA 94025 USA	TITLE: <h2 style="text-align: center;">SOLDERSLEEVE DEVICE SHIELD TERMINATION WITH BRAID</h2>				
UNLESS OTHERWISE SPECIFIED DIMENSIONS ARE IN MILLIMETERS. INCHES DIMENSIONS ARE BETWEEN BRACKETS.			DOCUMENT NO.: S03-0X-R-100				
TOLERANCES: 0.00 N/A 0.0 N/A 0 N/A	ANGLES: N/A ROUGHNESS IN MICRON	TE Connectivity reserves the right to amend this drawing at any time. Users should evaluate the suitability of the product for their application.	DCR NUMBER: D990968	REPLACES: D990118			
DRAWN BY: M. FORONDA	DATE: 11/22/99	PROD. REV. SEE TABLE	DOC ISSUE: 6	SCALE: None	SIZE: A	SHEET: 1 of 1	