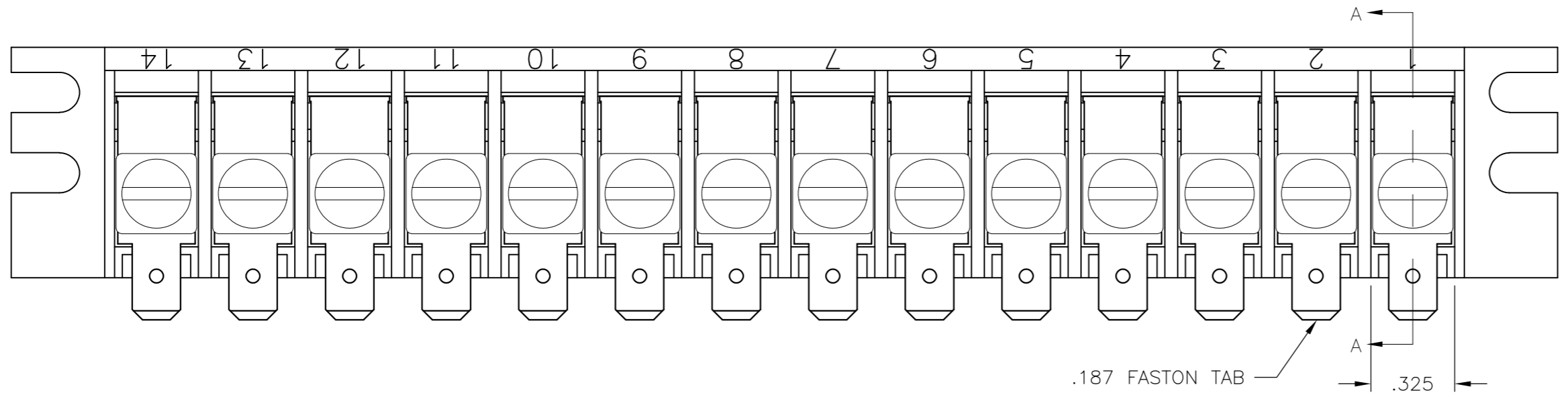
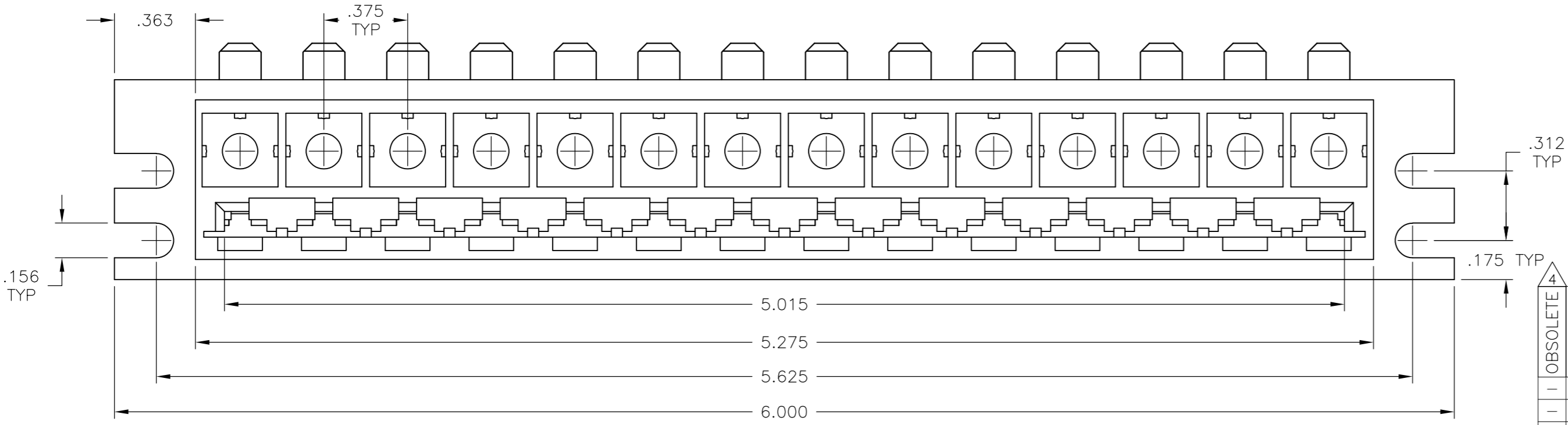
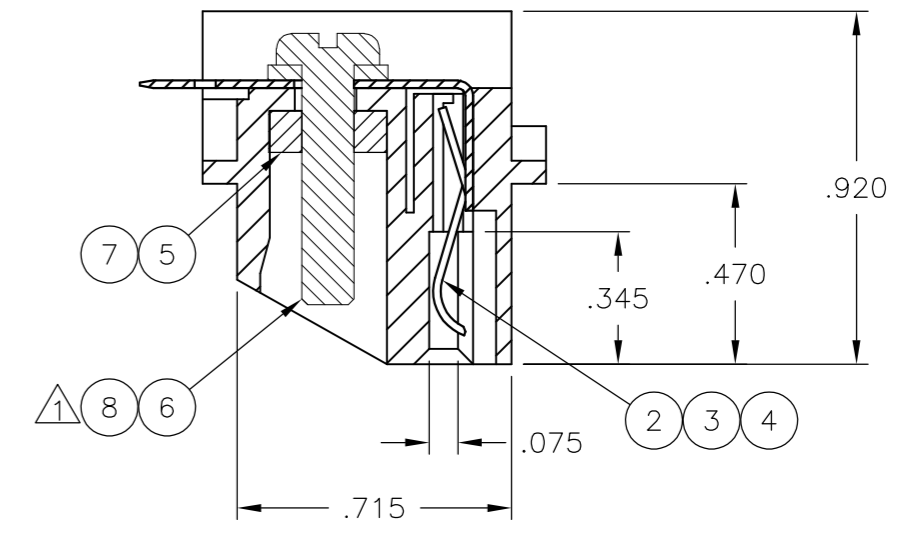
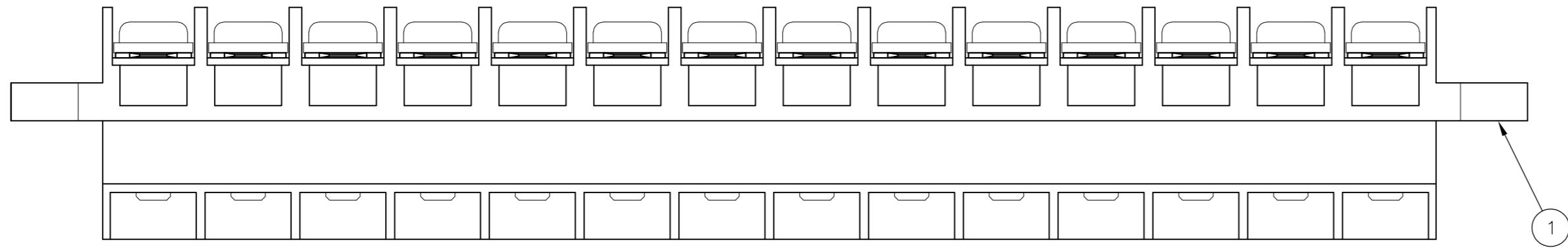


THIS DRAWING IS UNPUBLISHED. RELEASED FOR PUBLICATION
 © COPYRIGHT BY TYCO ELECTRONICS CORPORATION. ALL RIGHTS RESERVED.

LOC	DIST	REVISIONS					
FT	0	P	LTR	DESCRIPTION	DATE	DWN	APVD
		N		REVISED PER ECO-07-004106	2/22/07	SS	DC
		N1		REVISED PER ECO-09-021510	05SEP09	KK	AEG



- △ ACCEPTS .062±.007 PRINTED CIRCUITS BOARD.
- 2. MAX ALLOWABLE BOW TO BE .003 PER INCH OF HOUSING.
- 3. 1-380914-0 AND 1-380914-2 IS ALLOWED TO USE ITEM 7 AND 8 AS SUBSTITUTES FOR ITEM 5 AND 6.
- △ OBSOLETE PARTS: OBSOLETE CIS STREAMLINING PER D.RENAUD/D.SINISI



QTY	QTY	QTY	QTY	QTY	QTY	MATERIAL	DESCRIPTION	ITEM NO.
4	4	4	4	4	4			
14	14	14	14	14	14	6-32, STEEL, GOLD PLATE	CLAMP ASSY	8
14	14	14	14	14	14	6-32, STEEL, ZINC NON-HEXAVALENT	NUT	7
14	14	14	14	14	14	6-32, STEEL, GOLD PLATE	CLAMP ASSY	6
14	14	14	14	14	14	6-32, STEEL, ZINC HEXAVALENT	NUT	5
14	14	14	14	14	14	.020 PH BRZ, GOLD	CONTACT	4
14	14	14	14	14	14	.020 PH BRZ, TIN	CONTACT	3
14	14	14	14	14	14	.020 PH BRZ, GOLD FLASH	CONTACT	2
1	1	1	1	1	1	POLYCARBONATE, GRAY	HOUSING	1

THIS DRAWING IS A CONTROLLED DOCUMENT.

DWN	S SCHLEGEL	2/22/07
CHK	D COURS	2/22/07
APVD	D COURS	2/22/07
PRODUCT SPEC		
APPLICATION SPEC		
WEIGHT	-	
CUSTOMER DRAWING		

DIMENSIONS: INCHES
 TOLERANCES UNLESS OTHERWISE SPECIFIED:
 0 PLC ± -
 1 PLC ± -
 2 PLC ± .02
 3 PLC ± .005
 4 PLC ± -
 ANGLES ± 0°30'
 MATERIAL FINISH -

Tyco Electronics
 Tyco Electronics Corporation
 Harrisburg, PA 17105-3608
 NAME: EDGE CONNECTOR ASSY
 14 CIRCUIT MULTI-TAP
 SIZE: A2 CAGE CODE: 00779 DRAWING NO: 380914 RESTRICTED TO: -
 SCALE: 2:1 SHEET: 1 OF 1 REV: N1