

HIGH AMPERAGE, SEALED/NON-SEALED, LOCKING/ NON-LOCKING POWER JACKS & PLUGS

NEW PRODUCT BULLETIN 599

SWITCHCRAFT®

A H E I C O C O M P A N Y



5555 N Elston Ave | Chicago, IL 60630 | P: 773.792.2700 | F: 773.792.2129 | www.switchcraft.com | Made in USA.

HIGH AMPERAGE, SEALED/NON-SEALED, LOCKING/ NON-LOCKING POWER JACKS & PLUGS

NEW PRODUCT BULLETIN 599



FEATURES & BENEFITS

- Up to 11A current rating (carry), 24 V DC
- -40°C to 105° C operating temperature
- Locking/Non-Locking versions available
- Automatic switch over from AC to DC permitted by sleeve shunt spring
- Available in sealed & non-sealed versions
- Sealed versions sealed to IP68, NEMA 250 (6P) (when mated)

APPLICATIONS

- Any sealed data transmission
- Military or industrial GPS location devices
- Instrumentation
- Medical equipment
- Marine Applications
- Transportation
- General industrial electronic applications
- Power supplies



Please visit switchcraft.com for the most up-to-date product specifications. Made in USA.

HIGH AMPERAGE, SEALED/NON-SEALED, LOCKING/ NON-LOCKING POWER JACKS & PLUGS

NEW PRODUCT BULLETIN 599

SPECIFICATIONS

Mechanical Specifications

| | |
|------------------------|---|
| Life: | 5000 cycles minimum |
| Vibration: | Mil-Std 202G Method 201A (Only Locking) |
| Operating Forces: | 5 lb maximum insertion. 0.5 lb minimum withdrawal |
| Panel Mounting Torque: | 8-10 in-lb |

Electrical Specifications

| | |
|-------------------------------|-------------------------------|
| Voltage Rating: | 24 V AC/DC |
| Current Rating: | Refer to current rating table |
| Insulation Resistance: | 1000M Ω min |
| Contact Resistance (initial): | 15 m Ω max |

Environmental Specifications

| | |
|-------------------------------|--|
| Operating Temperature Rating: | -40 °C to +105 °C (-40°F to +221°F) |
| Moisture Resistance | MIL-STD 202G Method 106G (Sealed Only) |
| Insulation Resistance | MIL-STD 202G Method 302 Condition B |
| Thermal Shock: | MIL-STD 202G Method 107G |
| Salt Atmosphere (Corrosion): | MIL-STD 202G Method 101E Condition B (Sealed Only) |
| Weathertight Ratings: | IP66, IP67, IP68, NEMA 250 (6p) when mated (Sealed Only, when mated) |

Material Specifications - Jacks

| | |
|--|---|
| Housing, Cover (insulators): | Thermoplastic, Black |
| Mounting Bushing, Hex Nut: | Copper Alloy, Nickel Plated |
| Flat Washer: | Steel, Nickel Plated |
| O-Ring: | Elastomer, Black |
| Center Pin: | Copper Alloy, Nickel Plated |
| Center Pin Terminal & Shunt Terminals: | Copper Alloy, Silver or Matte Tin Plated |
| Sleeve Spring Terminal: | Spring Copper Alloy, Silver or Matte Tin Plated |

Material Specifications - Plugs

| | |
|-------------------------|-----------------------------------|
| Plug Barrel (Sleeve): | Copper Alloy, Nickel Plated |
| Coupling Ring: | Copper Alloy, Nickel Plated |
| Metal Handle: | Copper Alloy, Nickel Plated |
| Rubber Seal Handle: | Black Elastomer over Metal Handle |
| O-Ring: | Elastomer, Black |
| Center Contact (Tip): | Copper Alloy, Silver Plated |
| Tip & Sleeve Terminals: | Copper Alloy, Tin Plated |
| Tip Insulator: | Thermoplastic, Blue |
| Terminal Insulator: | Epoxy Glass FR4 |
| Tubular Insulator: | Mylar |

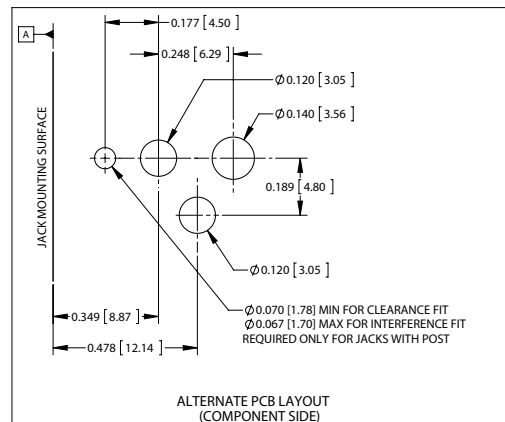
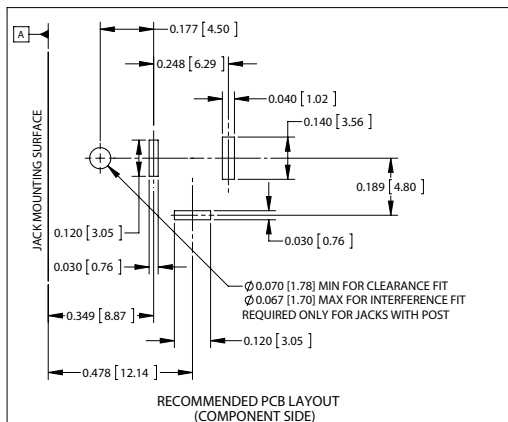
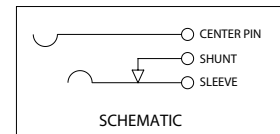
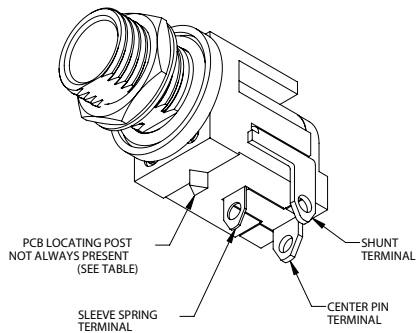
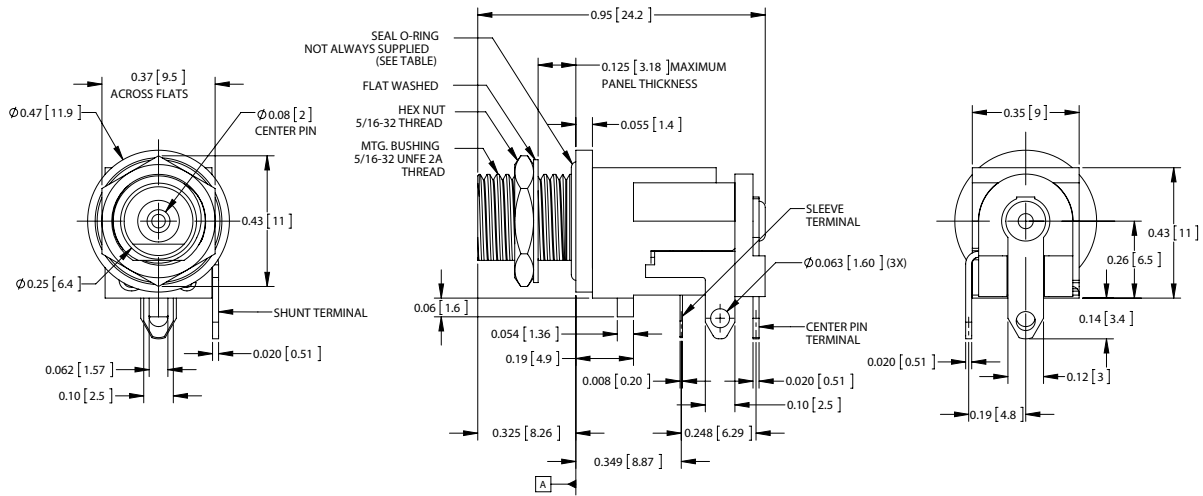


Please visit switchcraft.com for the most up-to-date product specifications. Made in USA.

HIGH AMPERAGE, SEALED/NON-SEALED, LOCKING/ NON-LOCKING POWER JACKS & PLUGS

NEW PRODUCT BULLETIN 599

PC-MOUNT HIGH AMERPAGE POWER JACKS

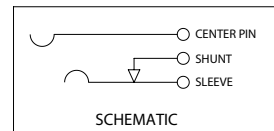
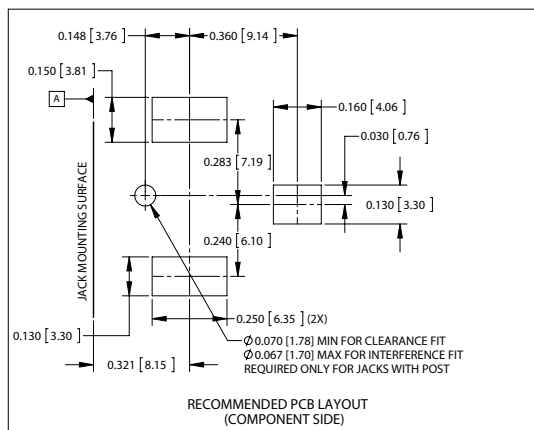
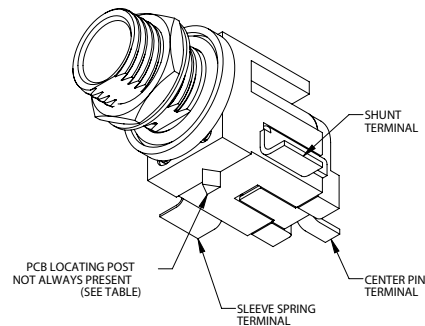
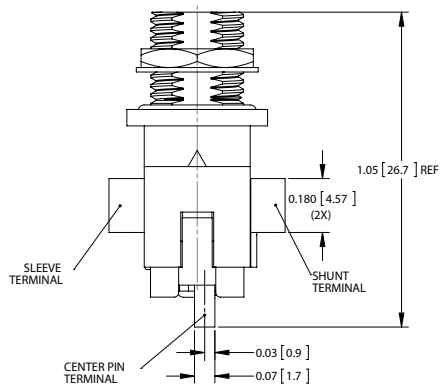
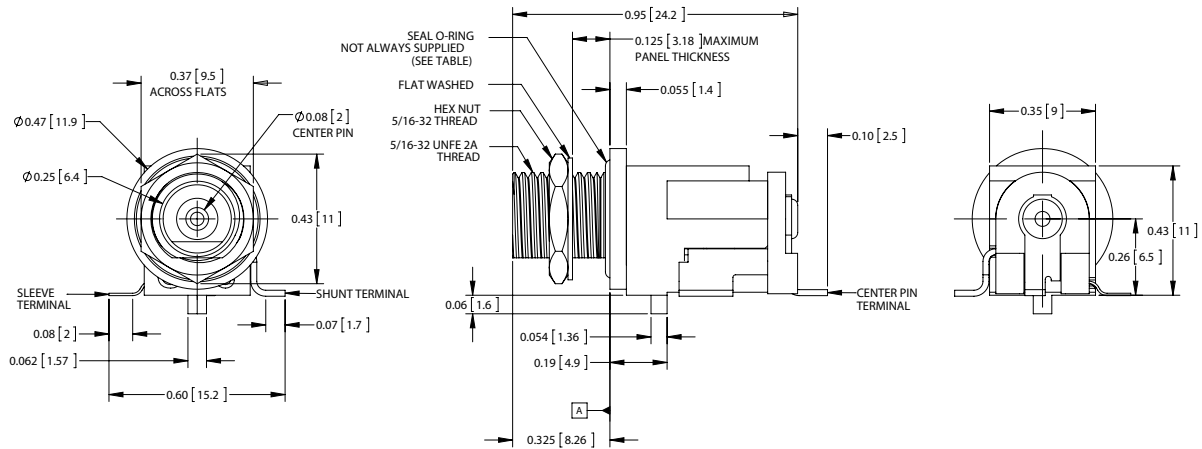


Please visit switchcraft.com for the most up-to-date product specifications. Made in USA.

HIGH AMPERAGE, SEALED/NON-SEALED, LOCKING/ NON-LOCKING POWER JACKS & PLUGS

NEW PRODUCT BULLETIN 599

SMT-MOUNT HIGH AMERPAGE POWER JACKS

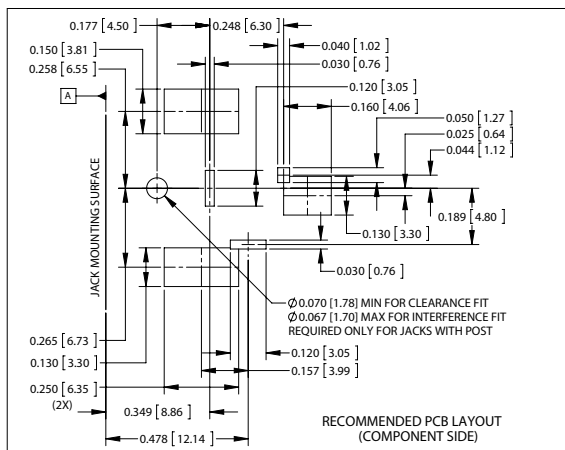
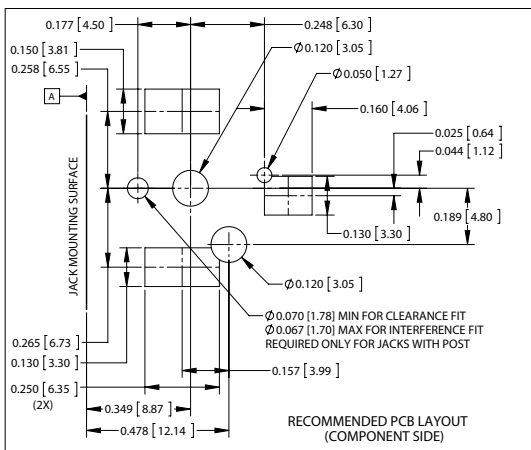
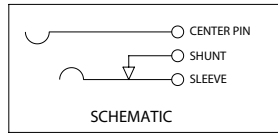
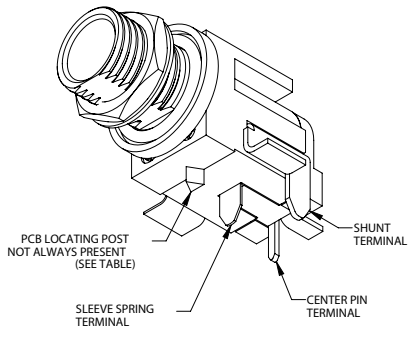
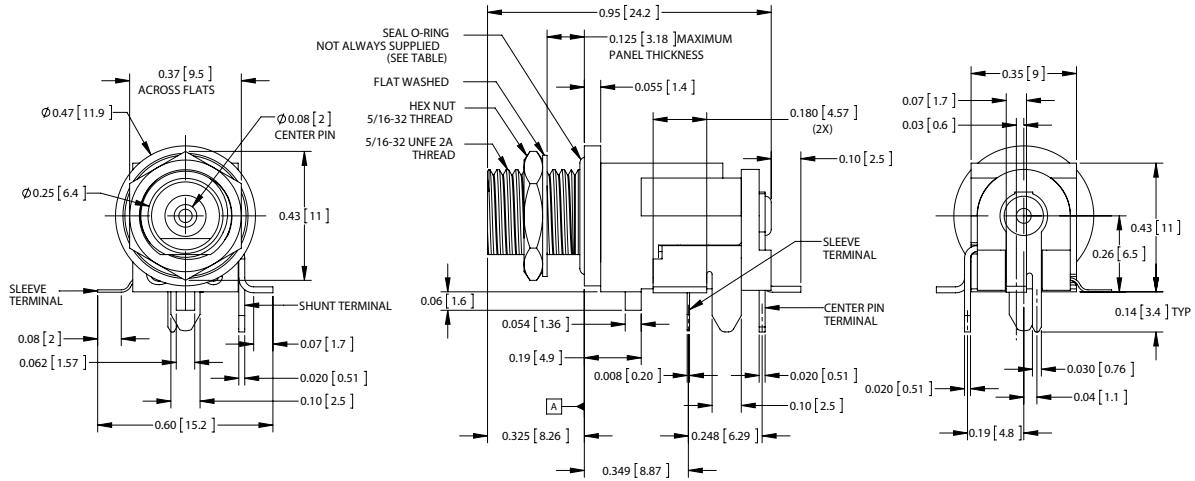


Please visit switchcraft.com for the most up-to-date product specifications. Made in USA.

HIGH AMPERAGE, SEALED/NON-SEALED, LOCKING/ NON-LOCKING POWER JACKS & PLUGS

NEW PRODUCT BULLETIN 599

HYBRID-MOUNT HIGH AMPERAGE POWER JACKS

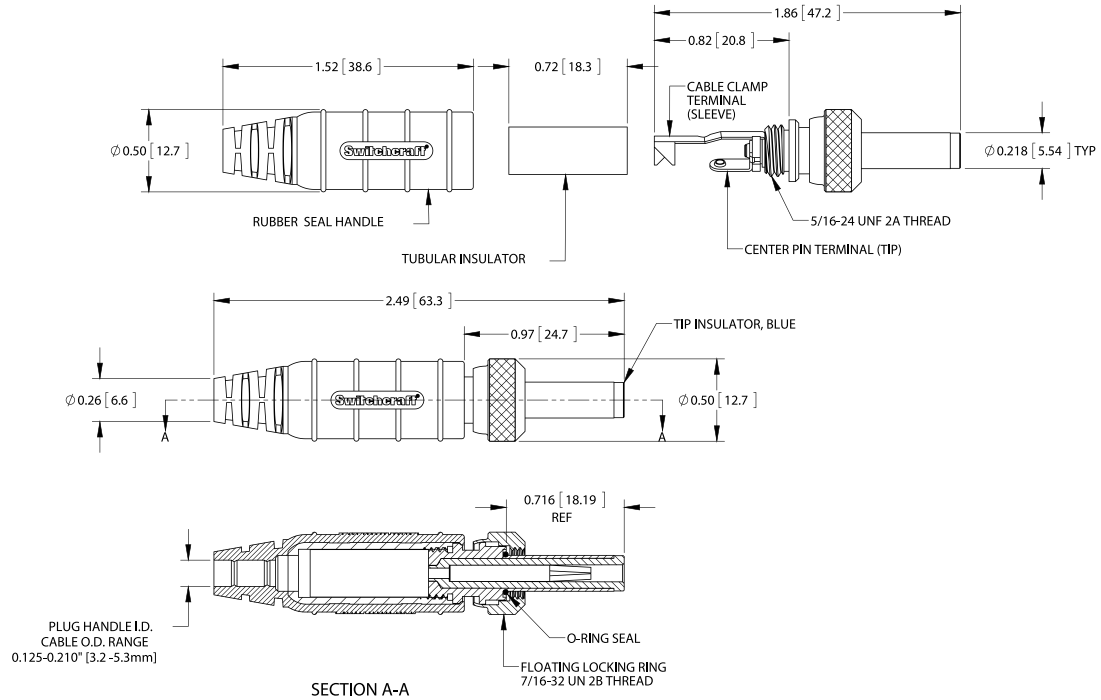


Please visit switchcraft.com for the most up-to-date product specifications. Made in USA.

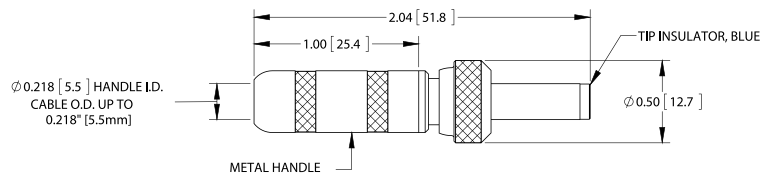
HIGH AMPERAGE, SEALED/NON-SEALED, LOCKING/ NON-LOCKING POWER JACKS & PLUGS

NEW PRODUCT BULLETIN 599

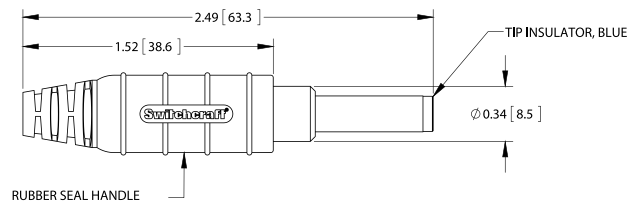
LOCKING and SEALING PLUGS S10KS12, S10KS15, S10KS17



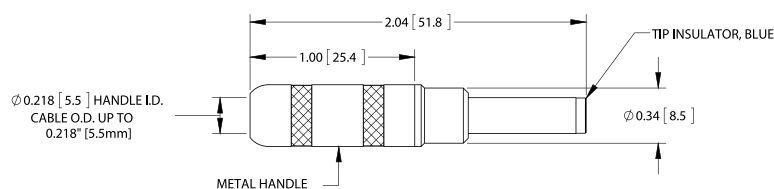
LOCKING, NON-SEALING PLUG S10K



NON-LOCKING, NON-SEALING PLUGS S1012, S1015, S1017



NON-LOCKING, NON-SEALING PLUG S10



HIGH AMPERAGE, SEALED/NON-SEALED, LOCKING/ NON-LOCKING POWER JACKS & PLUGS

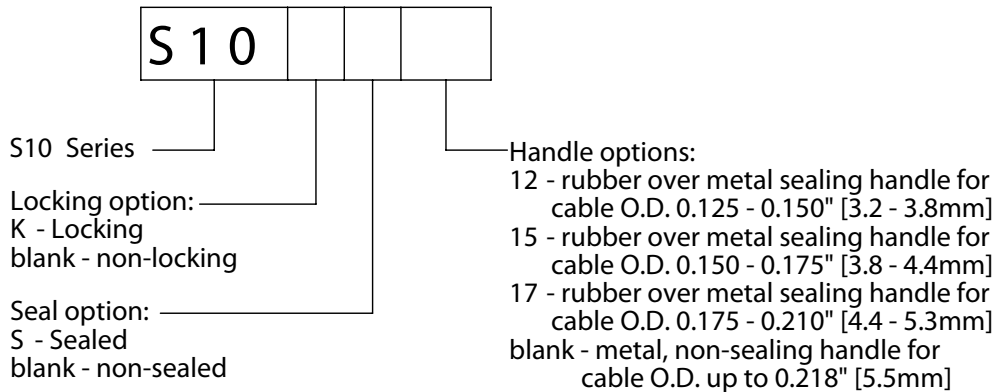
NEW PRODUCT BULLETIN 599

CURRENT RATING TABLE

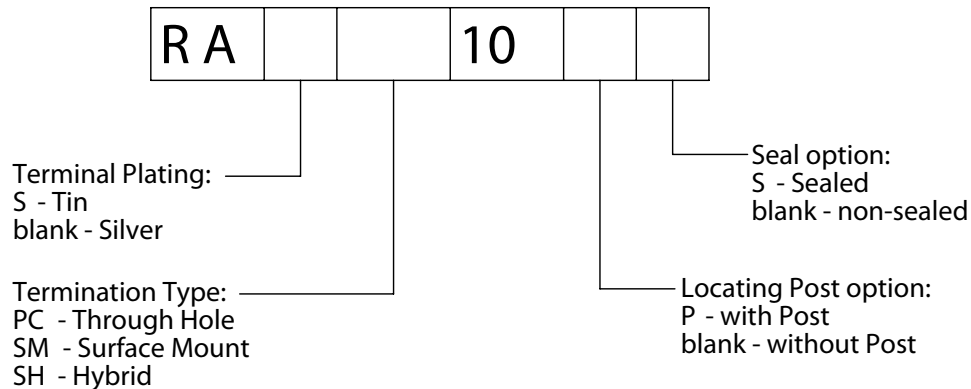
| Jack Terminal Plating | Wire (awg) | Current Rating (A) at Operating Temperature (°C) | | | | | |
|-----------------------|------------|--|----------|----------|----------|----------|-----------|
| | | 55°C max | 65°C max | 75°C max | 85°C max | 95°C max | 105°C max |
| Silver | 16 | 11 | 10 | 9.5 | 9 | 7.5 | 6 |
| | 18 | 9.5 | 9 | 8 | 7 | 5.5 | 5 |
| | 20 | 9 | 8 | 6.5 | 6 | 5 | 4 |
| Tin | 16 | 11 | 10 | 9 | 8 | 7 | 5.5 |
| | 18 | 9.5 | 9 | 8 | 7 | 5.5 | 5 |
| | 20 | 8.5 | 8 | 6.5 | 5.5 | 5 | 4 |

Note: DC Power Plugs & Jacks are for current carry only. Switching Power Jack on-off under resistive load is not recommended. The circuitry on-off switch should be off before connecting or disconnecting the Power Plug to Jack. For electrical life limitations under resistive load, consult factory.

HIGH AMPERAGE POWER PLUG ORDERING CODE:



HIGH AMPERAGE POWER JACK ORDERING CODE:



Notes:

- Standard packaging is bulk. Contact factory for tube or tape & reel packaging options.
- Tin plating currently not available for the hybrid (SH) termination option.

