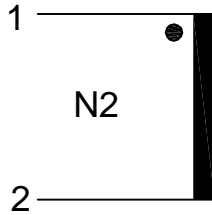




Part Number	CT 1020
Customer	
Product Type	Current transformer

SCHEMATIC:



ELECTRICAL SPECIFICATION:

- Rated input current : 20Amps
- Primary to Secondary isolation : 2500VAC
- Operating frequency : 50 / 60Hz
- Turns ratio : 1:1000
- DCR : 41.80Ω
- $I_o @ V_{rms} = 2.65V$: 628μArms
- Ratio correction factor (RCF*) : 1.01 @10% (Multiply current reading by this factor to compensate for transformer losses)
- Operating temperature range : -55°C to 120°C
- Flammability rating : UL 94V0

Volt/Amp at rated I_p for different loads			
100Ω	500Ω	2000Ω	5000Ω
0.10	0.43	0.76	0.93

LOAD TEST DETAILS:

Rated $I_p=20A$
 $R_L=100\Omega/0.040W$
 $U_s=2.0V$

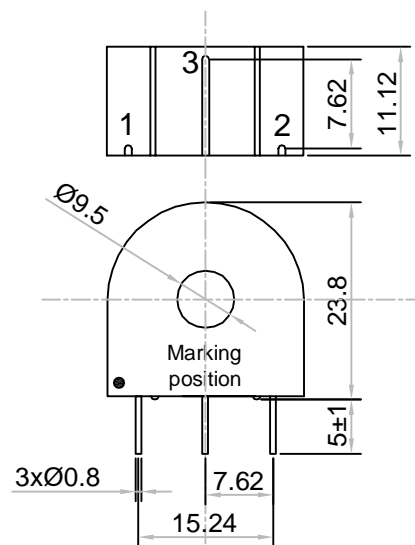
MARKING INFORMATION:

AMGIS
 YY/WW CT1020

Trafo Weight:

0.017Kg/pc

MECHANICAL DIMENSIONS:



All dimensions are in mm
 Linear dimensional tolerance $\pm 0.2mm$