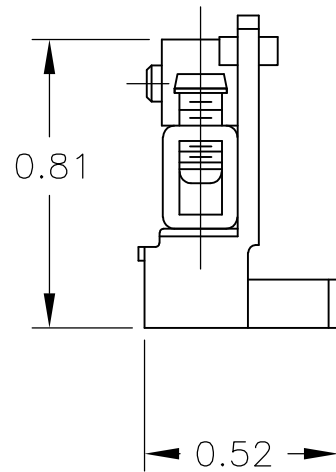
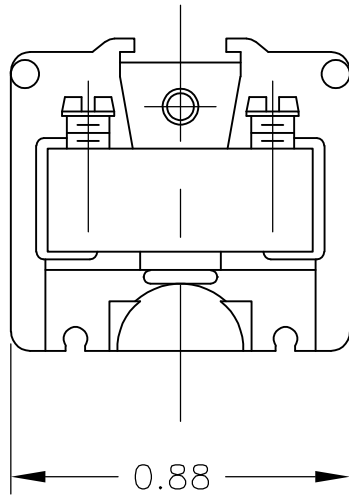
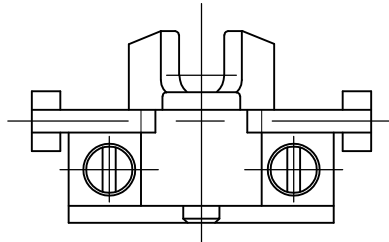


LOC	DIST	REVISIONS					
—	—	P	LTR	DESCRIPTION	DATE	DWN	APVD
			A	REDRAWN PER ECO-08-023052	29SEP08	HMR	SM

1 MATERIAL: POLYPROPYLENE



THIS DRAWING IS UNPUBLISHED.

RELEASED FOR PUBLICATION  
ALL INTERNATIONAL RIGHTS RESERVED.

BY TYCO ELECTRONICS CORPORATION.

© COPYRIGHT

DIMENSIONS: INCHES	DWN	29SEP08	MATERIAL	1	FINISH	—
	CHK	RAGHAVENDRA	29SEP08	Tyco Electronics Corporation Harrisburg, PA 17105-3608		
TOLERANCES UNLESS OTHERWISE SPECIFIED:	APVD	MACE SAM	29SEP08	Tyco Electronics Corporation Harrisburg, PA 17105-3608		
	PRODUCT SPEC	MACE SAM	29SEP08	CONTACT SECTION AND TUBULAR CONTACT ASS'Y. MIN TERM BLOCK		
0 PLC ± —	APPLICATION SPEC	—	NAME	CONTACT SECTION AND TUBULAR CONTACT ASS'Y. MIN TERM BLOCK		
1 PLC ± —	WEIGHT	—	SIZE	CAGE CODE	DRAWING NO	RESTRICTED TO
2 PLC ± —			A4	00779	C-4-1437392-7	—
3 PLC ± .005			CUSTOMER DRAWING			SCALE
4 PLC ± —						2:1
ANGLES ± 0° 15'						SHEET
						1 OF 1
						REV
						A

