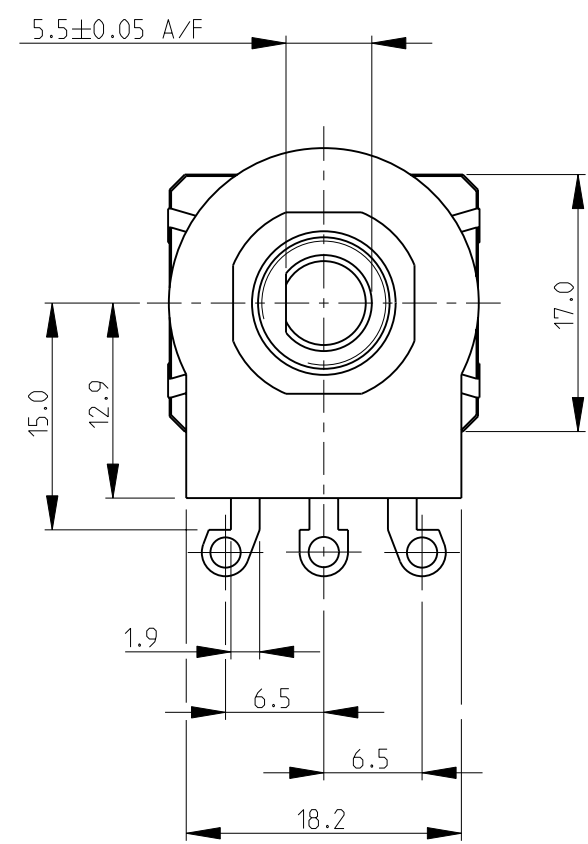
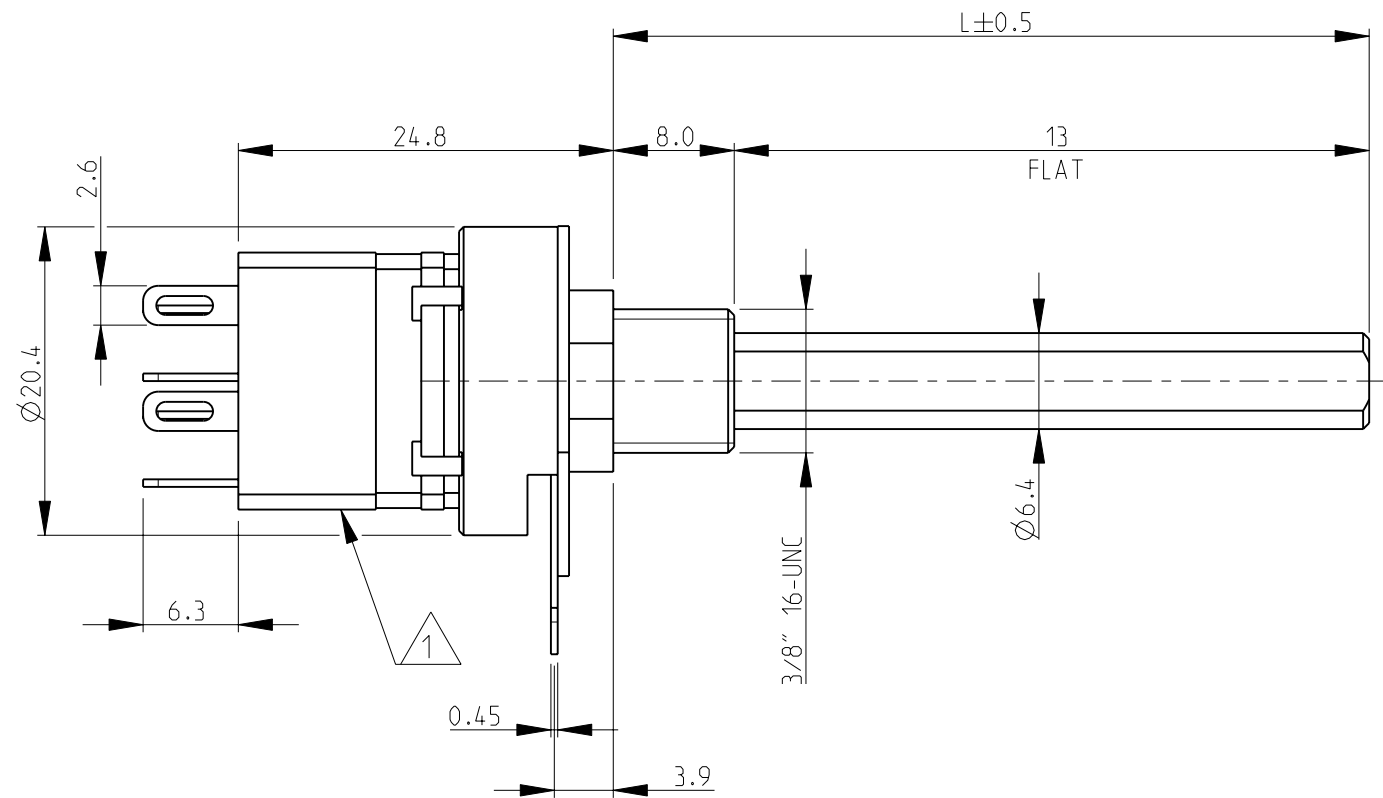


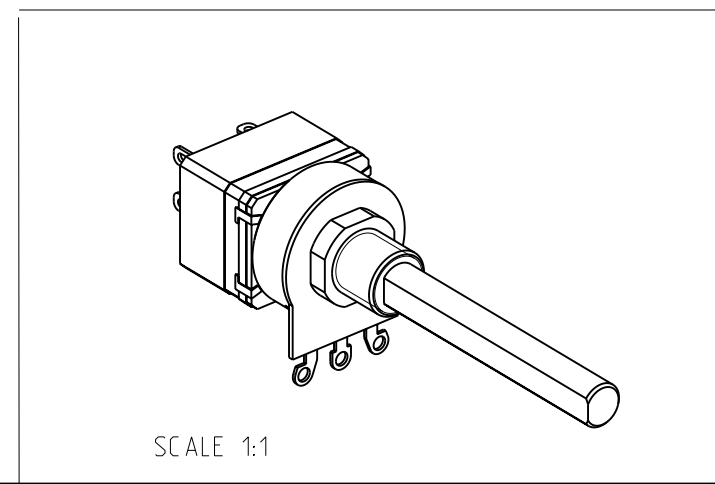
THIS DRAWING IS UNPUBLISHED. RELEASED FOR PUBLICATION 2008
 © COPYRIGHT 2008 BY TYCO ELECTRONICS CORPORATION. ALL RIGHTS RESERVED.

LOC		DIST		REVISIONS			
P	LTR	DESCRIPTION		DATE	DWN	APVD	
	BA	NEW RELEASE		30-Jul-08	SM	St.P	

- 1 SWITCH TYPE: DPST
- 2 AVAILABLE IN DIFFERENT SHAFT LENGTHS (L) SEE DATA SHEET
- 3 FOR FURTHER INFORMATION SEE DATA SHEET FOR 23 SERIES-SPINDLE OPERATED POTENTIOMETER



RoHS Compliant



<small>THIS DRAWING IS A CONTROLLED DOCUMENT FOR TYCO ELECTRONICS CORPORATION IT IS SUBJECT TO CHANGE AND THE CONTROLLING ENGINEERING ORGANIZATION SHOULD BE CONTACTED FOR THE LATEST REVISION.</small>		DWN	SUBHASH.M	30-Jul-08	Tyco Electronics Corporation Dorcan, Swindon, SN3 5HH						
DIMENSIONS: mm		CHK	PRAKASH.S	30-Jul-08	NAME SPINDLE OPERATED POTENTIOMETER SERIES 23SE						
		APVD	STEPHEN.P	30-Jul-08							
MATERIAL -		PRODUCT SPEC -		APPLICATION SPEC -		RESTRICTED TO -					
FINISH -		WEIGHT -		SIZE	A3	CAGE CODE	00779	DRAWING NO	1624216		
CUSTOMER DRAWING				SCALE	2:1	SHEET	1	OF	1	REV	BA