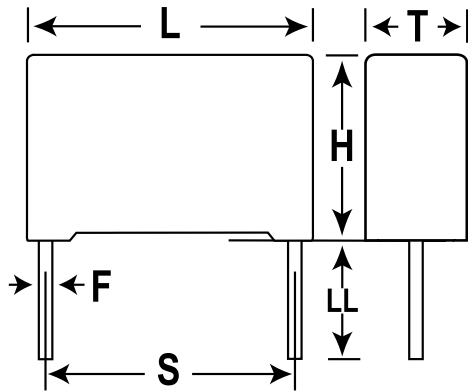


Capacitor, film, 0.22 uF, +/-5% Tol, -55/+105C, General Purpose, 1000VDC@85C, Lead Spacing=27.5 mm



Dimensions (mm)		
Symbol	Dimension	Tolerance
L	32	+0.3
H	22	+0.1
T	13	+0.2
S	27.5	+/-0.4
LL	4	+1.5
F	0.8	+/-0.05

Notes:

-L,H,T are nominal dimensions and do not imply a minimum.

General Information

Supplier: KEMET

Specifications

Capacitance:	0.22 uF
Rated Temperature:	85C
Voltage @ rated temp:	1000VDC
Voltage AC:	600VAC
Tolerance:	+/-5%
Body Type:	Radial Box
Dielectric:	Metallized Polypropylene
Construction:	Double Metallized
Application:	General Purpose
Temperature Range:	-55/+105C
Dissipation Factor @ 1 kHz:	0.1%
Dissipation Factor @ 10 kHz:	0.06%
Dissipation Factor @ 100kHz:	0.1%
Insulation Resistance:	100 GOhm
Inductance:	18 nH
Maximum dVdT:	1000 v/us
Maximum K0:	2000000 V^2/us

Packaging Specifications

Package Kind:	Bulk
Package Quantity:	480