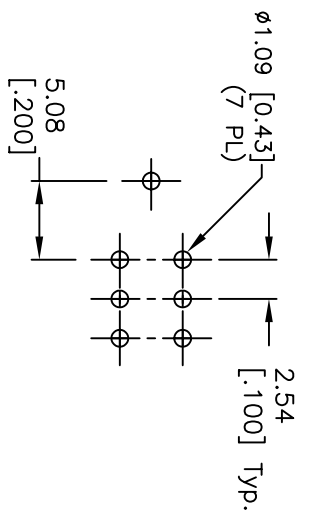
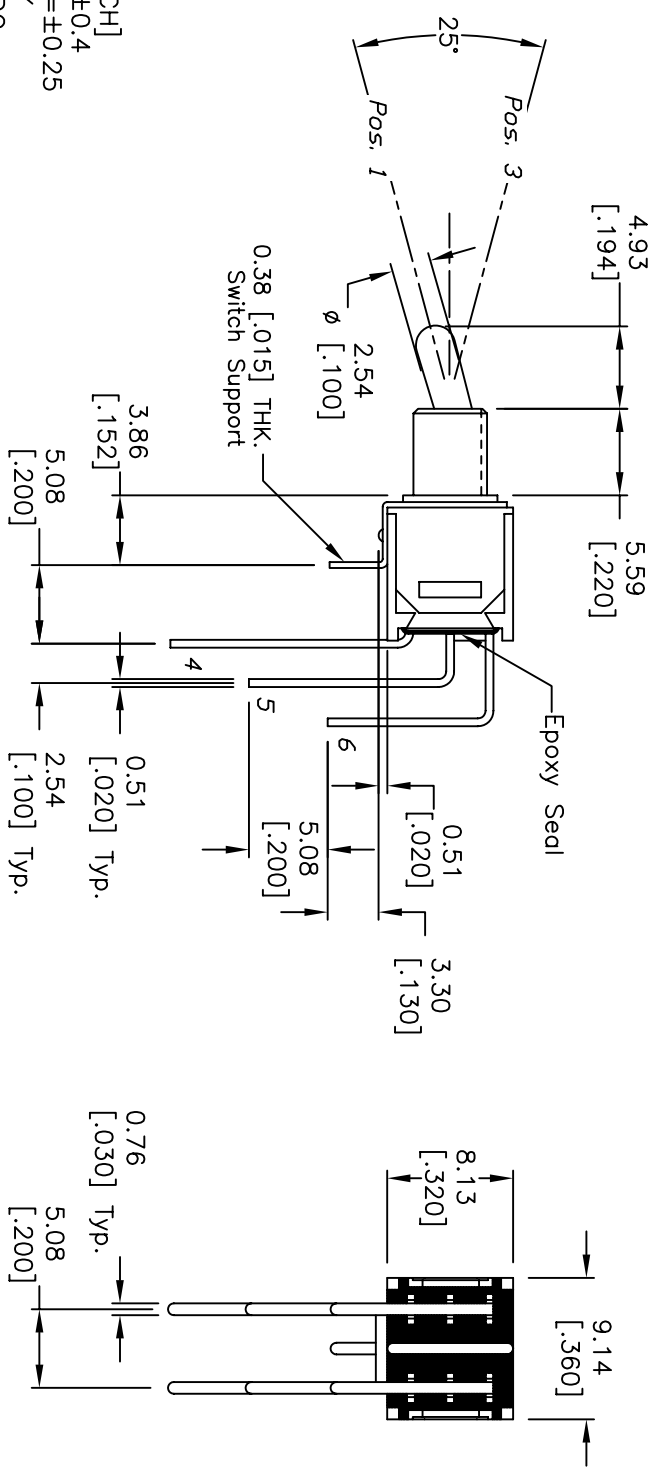
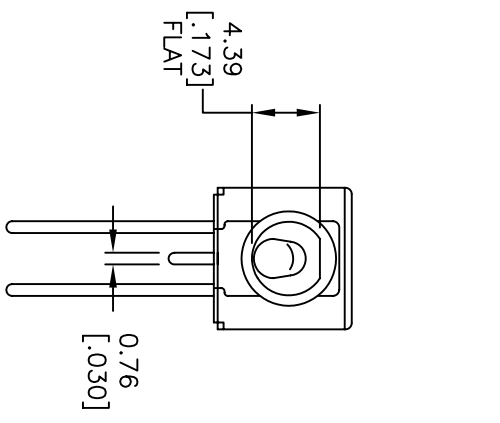


CIRCUIT: DPDT  
CONTACT CONFIGURATION

SWITCH FUNCTION		
PQS. 1	PQS. 2	PQS. 3
DN	NONE	DN
2-3,5-6	OPEN	2-1,5-4



RECOMMENDED P.C.B. LAYOUT



NOTES:

1. ALL DIMENSIONS IN MM [INCH]
2. GENERAL TOLERANCE: X.X=±0.4 X.XX=±0.25
3. TERM. NOS. FOR REF. ONLY
4. RATING: 0.4V @20V AC or DC
5. FIXED TERM. MOVING CONTACT:  
Copper Alloy w/GOLD plating  
over Nickel plate.
6. ELECTRICAL LIFE: 30,000 make-and-break cycle at full load.
7. DIELECTRIC STRENGTH: 1,000 V RMS @sea level.
8. OPERATING TEMP.: -30°C to 85°C

REV.	ECN No.	DESCRIPTION	DATE	CHKD
B	15183	CHANGED DIM FROM 5.33 TO 4.93	8/19/2005	PH
A	12132	RELEASED FOR PRODUCTION	5/8/02	CJB

TITLE		SCALE		DATE		DR		DWG		REV	
200 MDP-1 T2 B2 M7 R E (GOLD CONTACTS)		2:1		5/8/02		CJB		T221035		B	



THE INFORMATION CONTAINED IN THIS DOCUMENT IS PROPRIETARY TO E-SWITCH AND IS NOT TO BE COPIED OR TRANSFERRED