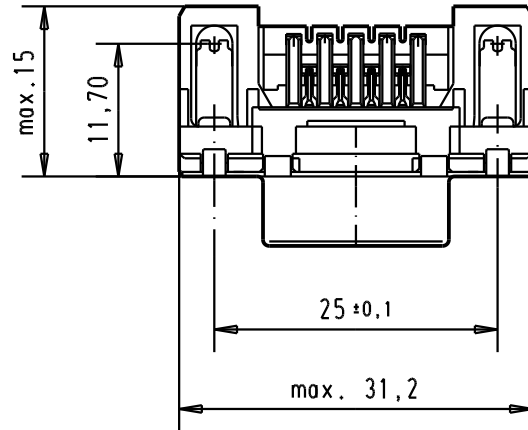
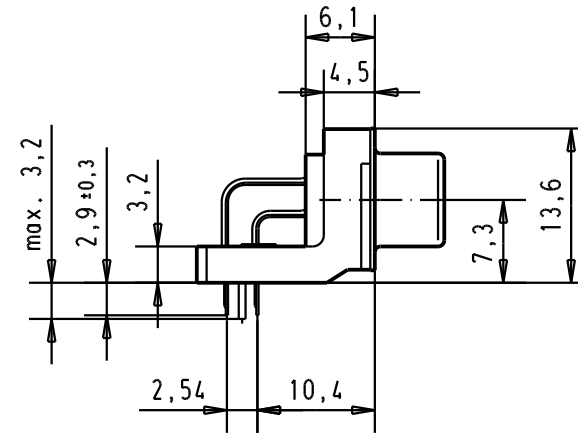
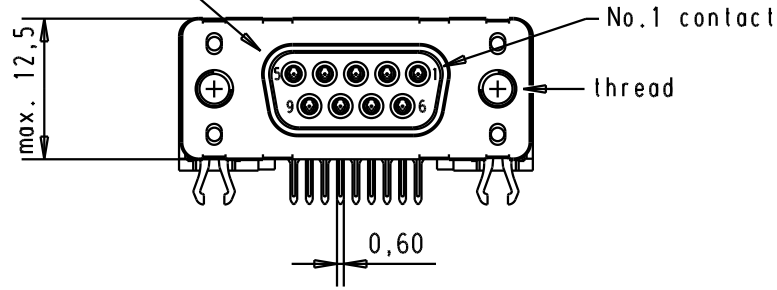
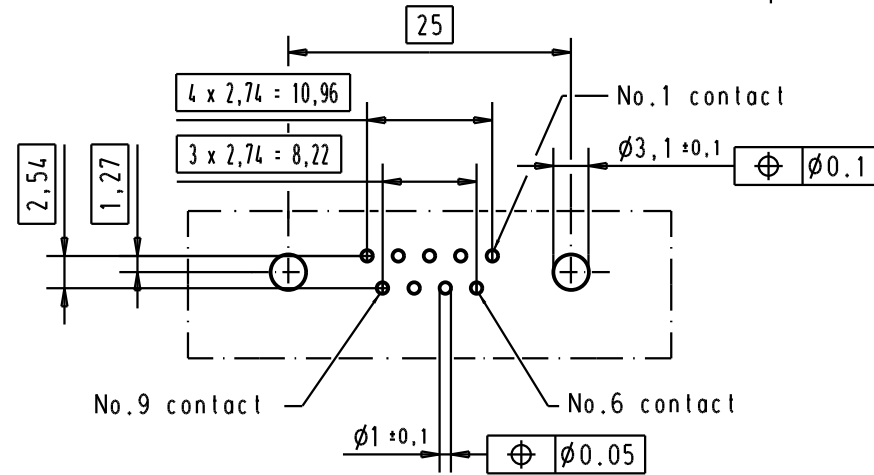


5 4 3 2 1

Mating face according to : MIL-C-24308 / DIN 41652 / CECC 75301-802



PCB layout hole component side



Connector retention and insertion forces on the PCB = 25 / 80 newtons

A

| | | | | | | | | | | | |
|----------------|------------|-------------------|-------|-----------|------|-------------------------------|-----------|------|----------------------------------------------|-------------------------------------------------------------------------------------|----------------------------|
| 09 66 152 3611 | M 3 | 1 | | | | | Dat. | Name | <p>All Dim. in mm Orig. Size DIN A 4</p> | D-Sub 09 poles standard angle female, solder pin with nut and grounding board lock. | Maßstab/ Scale 1.5:1 |
| 09 66 152 6611 | M 3 | 2 | | | | Detail. | 20/nov/00 | jfb | | | |
| 09 66 152 7611 | M 3 | 3 | | | | Insp. | | | | | |
| 09 66 152 3612 | 4-40 UNC | 1 | 31892 | 05/05/04 | JH | Stand. | | | | TB 0966152x61x | Blatt/ Page 5 / 5 |
| 09 66 152 6612 | 4-40 UNC | 2 | 31084 | 04/SEP/02 | YT | HARTING EURL F-95972 Paris | | | | | |
| 09 66 152 7612 | 4-40 UNC | 3 | 27957 | 20/nov/00 | jfb | | | | | | |
| Part number | Nut thread | Performance level | Mod. | Dat. | Name | | | | Sub. | | |