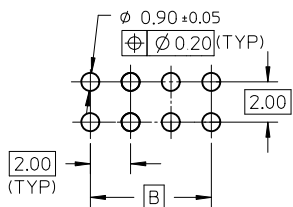
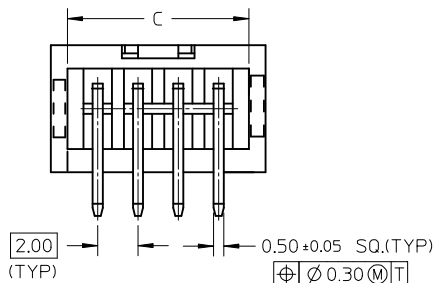
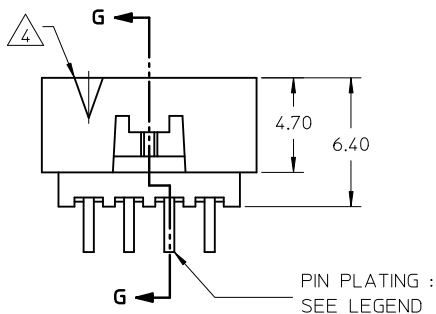
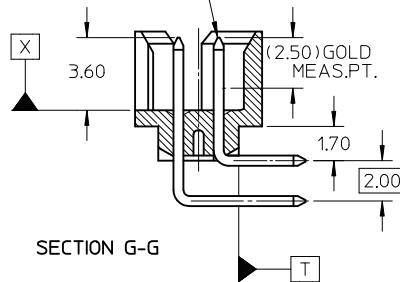


0.50±0.05 SQ. (TYP)
 $\text{⊕} \text{⌀} 0.30 \text{Ⓜ} \text{X} \text{Y} \text{Ⓜ} \text{Z} \text{Ⓜ}$



RECOMMENDED PCB PATTERN

ASSEMBLY P/N PACKED IN TUBE (W/O KAPTON)	ASSEMBLY P/N PACKED IN TUBE (WITH KAPTON)	ASSEMBLY P/N PACKED IN T&R (WITH KAPTON)	CKT SIZE	VOID PIN LOCATION	DIMENSION						PLATING OPTION
					A	B	C	D	E	F	
87833-0431	87833-0441	87833-0451	4	-	6.65	2.00	5.00	4.85	1.00	2.16	1
87833-0631	87833-0641	87833-0651	6	-	8.65	4.00	7.00	6.85	2.00	2.16	1
87833-0831	87833-0841	87833-0851	8	-	10.65	6.00	9.00	8.85	3.00	2.16	1
87833-1031	-	-	10	-	12.65	8.00	11.00	10.85	4.00	2.16	1
87833-1231	-	-	12	-	14.65	10.00	13.00	12.85	5.00	2.16	1
87833-5230	-	-	12	1	14.65	10.00	13.00	12.85	5.00	2.16	1
87833-0432	-	-	4	-	6.65	2.00	5.00	4.85	1.00	2.16	2
87833-0632	-	-	6	-	8.65	4.00	7.00	6.85	2.00	2.16	2
87833-0832	-	-	8	-	10.65	6.00	9.00	8.85	3.00	2.16	2
87833-1032	-	-	10	-	12.65	8.00	11.00	10.85	4.00	2.16	2
87833-1232	-	-	12	-	14.65	10.00	13.00	12.85	5.00	2.16	2
87833-5220	-	-	10	10	12.65	8.00	11.00	10.85	4.00	2.16	1
-	87833-1041	87833-1051	10	-	12.65	8.00	11.00	10.85	4.00	1.70	1
87833-0661	-	-	6	-	8.65	4.00	7.00	6.85	2.00	3.18	1
-	87833-0871	87833-0881	8	7	10.65	6.00	9.00	8.85	3.00	2.16	1

PLATING OPTIONS:

- 0.38um/15uin GOLD IN CONTACT AREA AND 1.88um/75uin MIN.TIN IN SOLDER TAIL AREA OVER 1.27um/50uin MIN. NICKEL OVERALL.
- 0.76um/30uin GOLD IN CONTACT AREA AND 1.88um/75uin MIN.TIN IN SOLDER TAIL AREA OVER 1.27um/50uin MIN. NICKEL OVERALL.
- 0.05-0.13um/2-5uin GOLD IN CONTACT AREA AND 1.88um/75uin MIN.TIN IN SOLDER TAIL AREA OVER 1.27um/50uin MIN. NICKEL OVERALL.

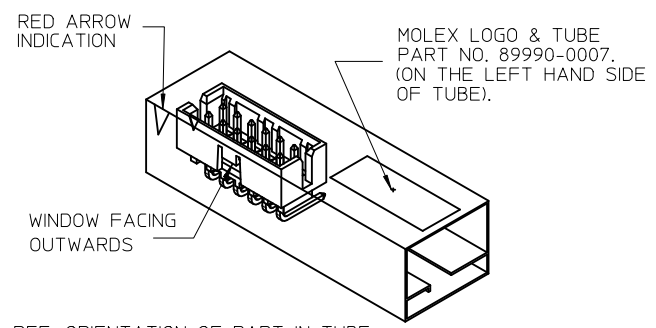
NOTES:

- FOR ILLUSTRATION PURPOSES, 8 CIRCUIT SIZE WAFER IS SHOWN.
- MATERIAL :
 HOUSING : NYLON 46, GLASS FILLED, UL94V-0, COLOR BLACK.
 PIN : 0.50MM SQ.PHOSPHOR BRONZE.
 KAPTON TAPE : POLYIMIDE 4mm X 30m X 0.055mm COLOR: AMBER
- PRODUCT SPECIFICATION PS-87831-027 APPLIES.
- CKT 4 & 6 HAS NO IDENTIFICATION TAG.
- THIS HEADER MATES WITH MOLEX:
 - CRIMP RECEPTACLE HOUSING, 51110 SERIES WITH CRIMP TERMINAL, 50394 SERIES.
 - 2MM MILLIGRID DUAL ROW IDT, 87568 SERIES.
- PARTS TO BE PACKED WITH MOISTURE BARRIER BAG.
- NO CENTRE POLARIZATION SLOT FOR CKT SIZE 4 AND 6

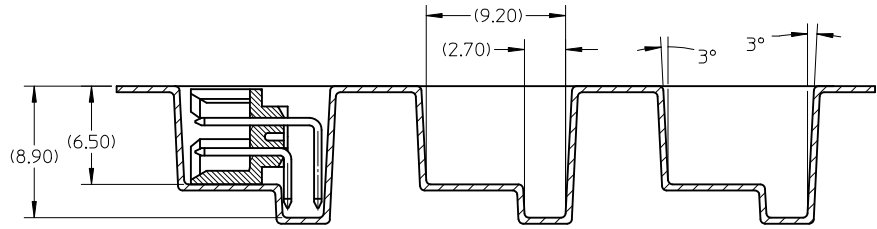
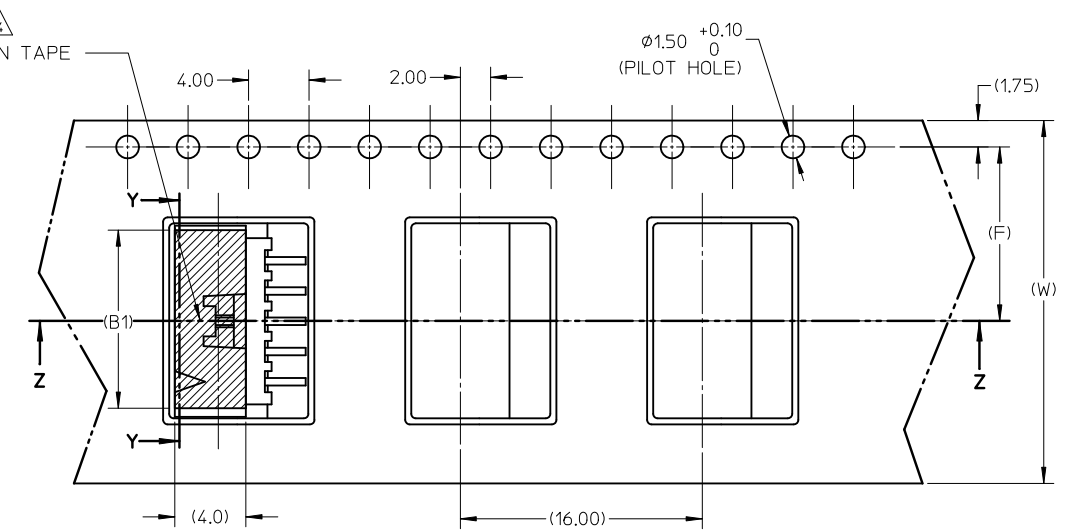
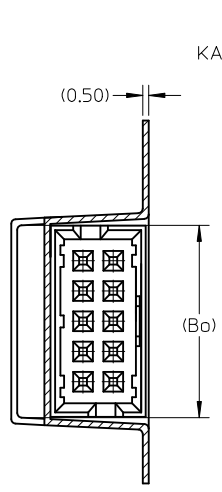
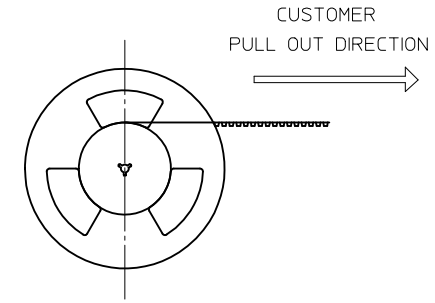
ADD P/N: 87833-0881 EC NO: S2012-0218 DRWN:SKANG 2011/09/23 CHKD:ATSEE 2011/11/02 APPR:MLONG 2011/11/02	QUALITY SYMBOLS $\nabla=0$ $\text{⊕} \text{⌀} 0.20$	GENERAL TOLERANCES (UNLESS SPECIFIED)		DIMENSION STYLE		SCALE	DESIGN UNITS	THIRD ANGLE PROJECTION			
				MM ONLY		NTS	METRIC				
				mm	INCH	DRAWN BY	DATE	TITLE			
						ATSEE	2003/10/23	MGRID, SHROUDED HEADER W/LOCKING FEATURE, R/A			
				4 PLACES	± ---	± ---					
				3 PLACES	± ---	± ---					
				2 PLACES	± 0.2	± ---					
				1 PLACE	± ---	± ---					
				ANGULAR ± 3 °							
				DRAFT WHERE APPLICABLE MUST REMAIN WITHIN DIMENSIONS							
				SEE TABLE							
				MATERIAL NO.		DOCUMENT NO.					
				SKTOH 2003/11/07		MOLEX		MOLEX INCORPORATED			
				SIZE A3		THIS DRAWING CONTAINS INFORMATION THAT IS PROPRIETARY TO MOLEX INCORPORATED AND SHOULD NOT BE USED WITHOUT WRITTEN PERMISSION					
						SD-87833-011		SHEET NO. 1 OF 2			

10 9 8 7 6 5 4 3 2 1

ASSEMBLY P/N PACKED IN T&R (WITH KAPTON)	CKT SIZE	(F)	(Bo)	(B1)	(W)
87833-0451	04	7.50	7.00	6.00	16.00
87833-0651	06	11.50	9.00		24.00
87833-0851	08	11.50	11.00	10.00	24.00
87833-0881	08	11.50	11.00	10.00	24.00
87833-1051	10	11.50	13.00	12.00	24.00



REF: ORIENTATION OF PART IN TUBE.
(FOR THE REFERENCE OF PART/TUBE ASSEMBLY.)



- NOTES:
- LEADER AND TRAILER TAPE
 - PEELING OFF FORCE OF THE TOP TAPE: 20-80gf.
(PEELING DIRECTION AS SHOWN IN FOLLOWING FIGURE)
 - PACKAGING STANDARD IS AS PER EIA-481.
 - KAPTON TAPE SHOULD BE LOCATED AS CENTRAL OF PART AS POSSIBLE AND MUST COVER THE WINDOWS.
 - TAPE & REEL QUANTITY : 500 PCS/REEL

ADD P/N: 87833-0881 EC NO: S2012-0218 DRWN:SKANG CHKD:ATSEE APPR:MLONG 2011/09/23 2011/11/02 2011/11/02	QUALITY SYMBOLS ▽=0 ◻=0	GENERAL TOLERANCES (UNLESS SPECIFIED) mm INCH 4 PLACES ± --- ± --- 3 PLACES ± --- ± --- 2 PLACES ± 0.2 ± --- 1 PLACE ± --- ± --- ANGULAR ± 3 °	DIMENSION STYLE MM ONLY DRAWN BY: ATSEE DATE: 2003/10/23 CHECKED BY: KCLING DATE: 2003/11/07 APPROVED BY: SKTOH DATE: 2003/11/07	SCALE NTS DESIGN UNITS METRIC THIRD ANGLE PROJECTION	TITLE MGRID, SHROUDED HEADER W/LOCKING FEATURE, R/A	
	MATERIAL NO. SKTOH	DOCUMENT NO. SD-87833-011	SHEET NO. 2 OF 2	MOLEX INCORPORATED		
	DRAFT WHERE APPLICABLE MUST REMAIN WITHIN DIMENSIONS		SEE TABLE			
	SIZE A3	THIS DRAWING CONTAINS INFORMATION THAT IS PROPRIETARY TO MOLEX INCORPORATED AND SHOULD NOT BE USED WITHOUT WRITTEN PERMISSION				

9 8 7 6 5 4 3 2 1