

PRODUCT NUMBER
10082201-YXX-XXLF

PLATING
1 = 0.76µm GOLD OR
0.76µm GXT (PdNi WITH
GOLD FLASH)
ON CONTACT AREA
2µm MATTE TIN ON TAIL

LEAD FREE AND RoHS
RoHS COMPATIBLE, NOTE 7.

TOTAL NB OF POSITIONS
02 TO 36

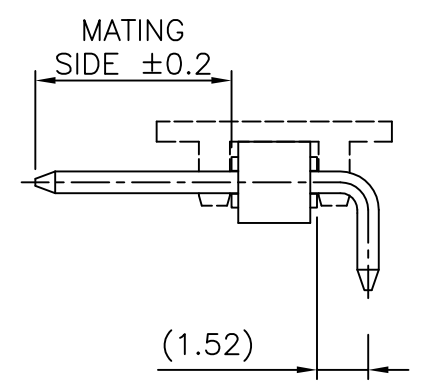
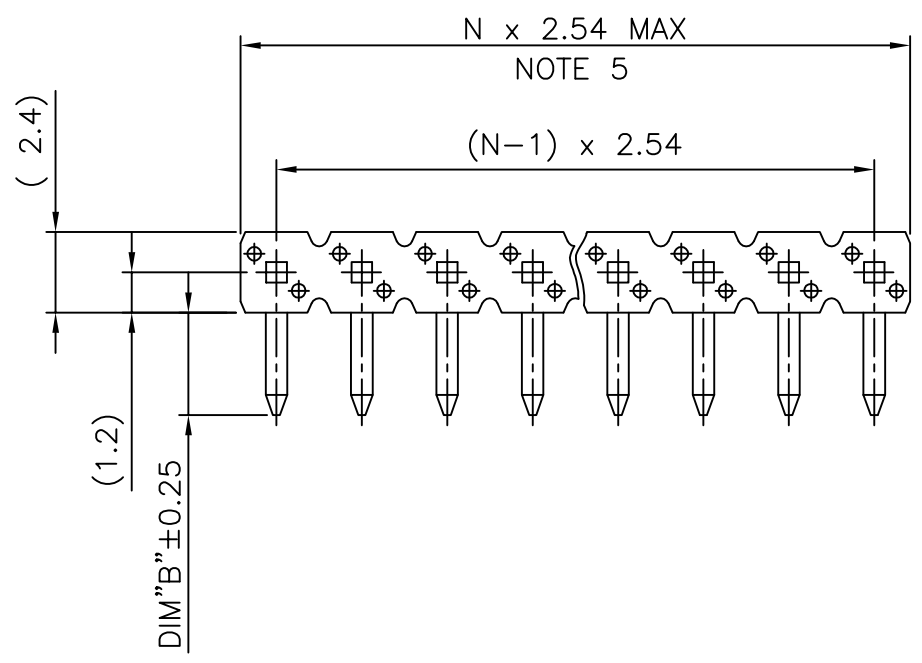
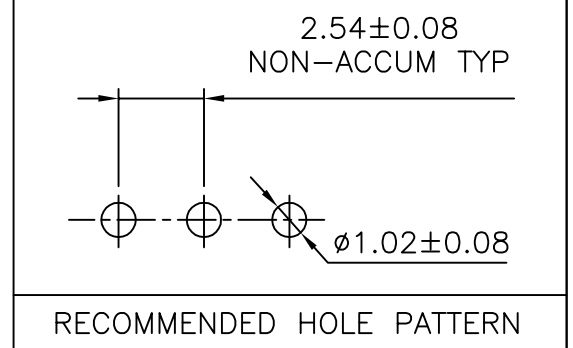
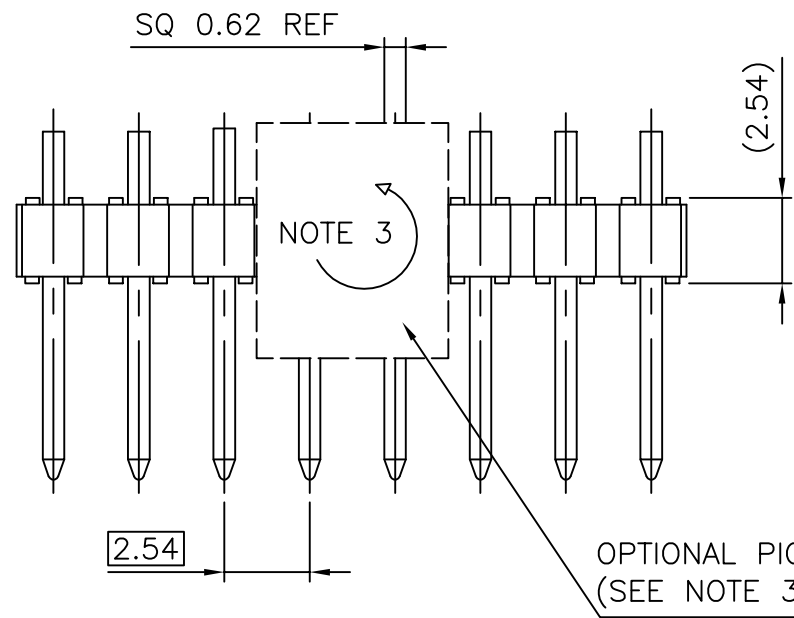
PACKAGING, NOTE 3.

4 = 2µm MATTE TIN
ON CONTACT AREA
AND TAIL
8 = 0.38µm GOLD
ON CONTACT AREA
2µm MATTE TIN
ON TAIL

PIN STYLE	MATING SIDE	DIM "B"
01	5.84	2.50
02	6.75	2.50
03	5.84	3.00
04	6.75	3.00
05	11.60	3.00
06	9.50	4.30

NOTES:

- HOUSING MAT'L : HIGH TEMPERATURE THERMOPLASTIC. UL94V-0 COLOR: BLACK
- PIN MATERIAL : PHOSPHOR BRONZE
- PACKAGING.
 - = POLY BAGS
 - A = TAPE & REEL WITH CAP, SEE TA840 FOR PRODUCT AVAILABILITY. PICK-UP CAP 90° ROTATED FOR ODD NB OF CONTACTS
 - K = TAPE & REEL WITHOUT PICK UP CAP
- 9N MIN RETENTION IN EITHER DIRECTION
- TO DETERMINE DIMENSIONS :
N = NUMBER OF POSITIONS PER ROW
EXAMPLE : 8 POS N x 2.54 = 20.32mm
- UNDERPLATING : 1.27µm Ni MIN
- RoHS COMPATIBLE PRODUCT SPECIFICATIONS
 - PLATING:
 - "LF" MEANS THE PRODUCT IS LEAD-FREE, 2µm MINIMUM MATTE TIN OVER 1.27µm MINIMUM NICKEL UNDERPLATE.
 - MANUFACTURING PROCESS COMPATIBILITY
 - THE HOUSING WILL WITHSTAND EXPOSURE TO 260°C PEAK TEMPERATURE FOR 30 SECONDES IN A CONVECTION, INFRA-RED OR VAPOR PHASE REFLOW OVEN.
 - LABELING:
 - MEETS PACKAGING SPECS AS PER GS-14-920
 - LEGAL STATEMENT: SEE GS-22-008



mat'l. code SEE NOTES				surface ISO 1302 ✓		tolerance ISO 406 ISO 1101		projection mm		product family BERGSTIK		
ltr	ecn no	dr	date	tolerances unless otherwise specified		angles		linear		title		
A	F08-0104	LMU	08.01.15	.x ±0.3						UNSHR.HEADER		
B	F09-0072	JCO	09.07.23	.xx ±0.15						RA SR PIN IN PASTE		
C	F12-0032	LMU	12.05.04	.xxx ±0.05						scale 5:1		
				dr	L.MULIN	08.01.15		FCJ		dwg no		
				engr	J.COMPAGNON	08.01.15				sheet 1 of 1		size
				chr						10082201		A3
				appd	JM.C	08.01.15				type		CUSTOMER Drawing
sheet index		revision sheet										