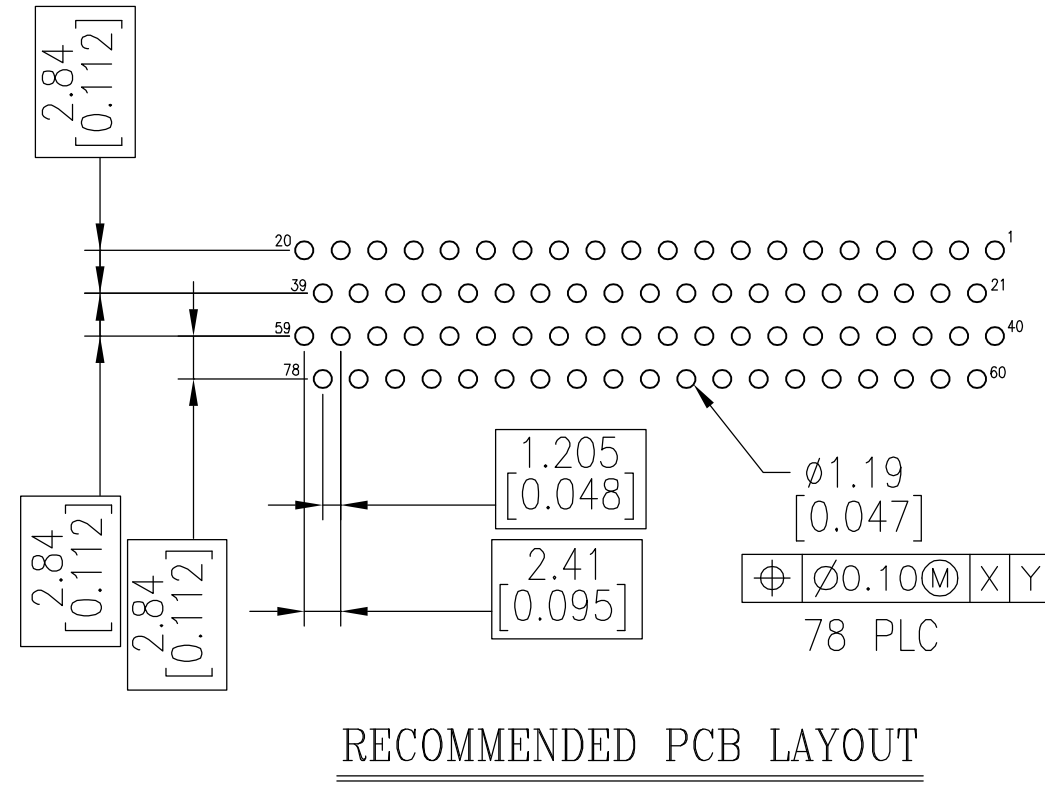
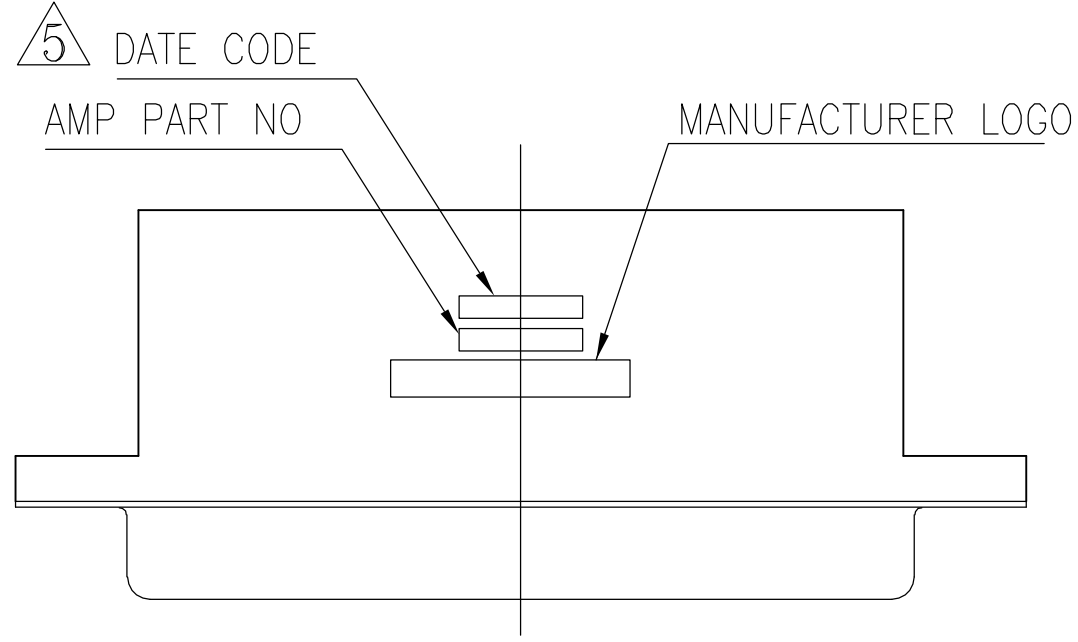


THIS DRAWING IS UNPUBLISHED. RELEASED FOR PUBLICATION
 © COPYRIGHT BY TYCO ELECTRONICS CORPORATION. ALL RIGHTS RESERVED.

LOC		DIST		REVISIONS			
P	LTR	DESCRIPTION	DATE	DWN	APVD		
GP	00	0	RELEASED PER EC 0513-0056-05	20JUN05	BM	SB	

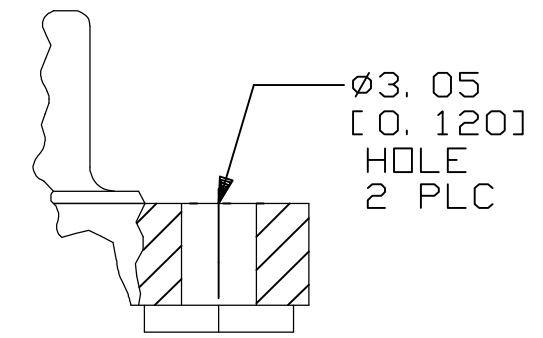
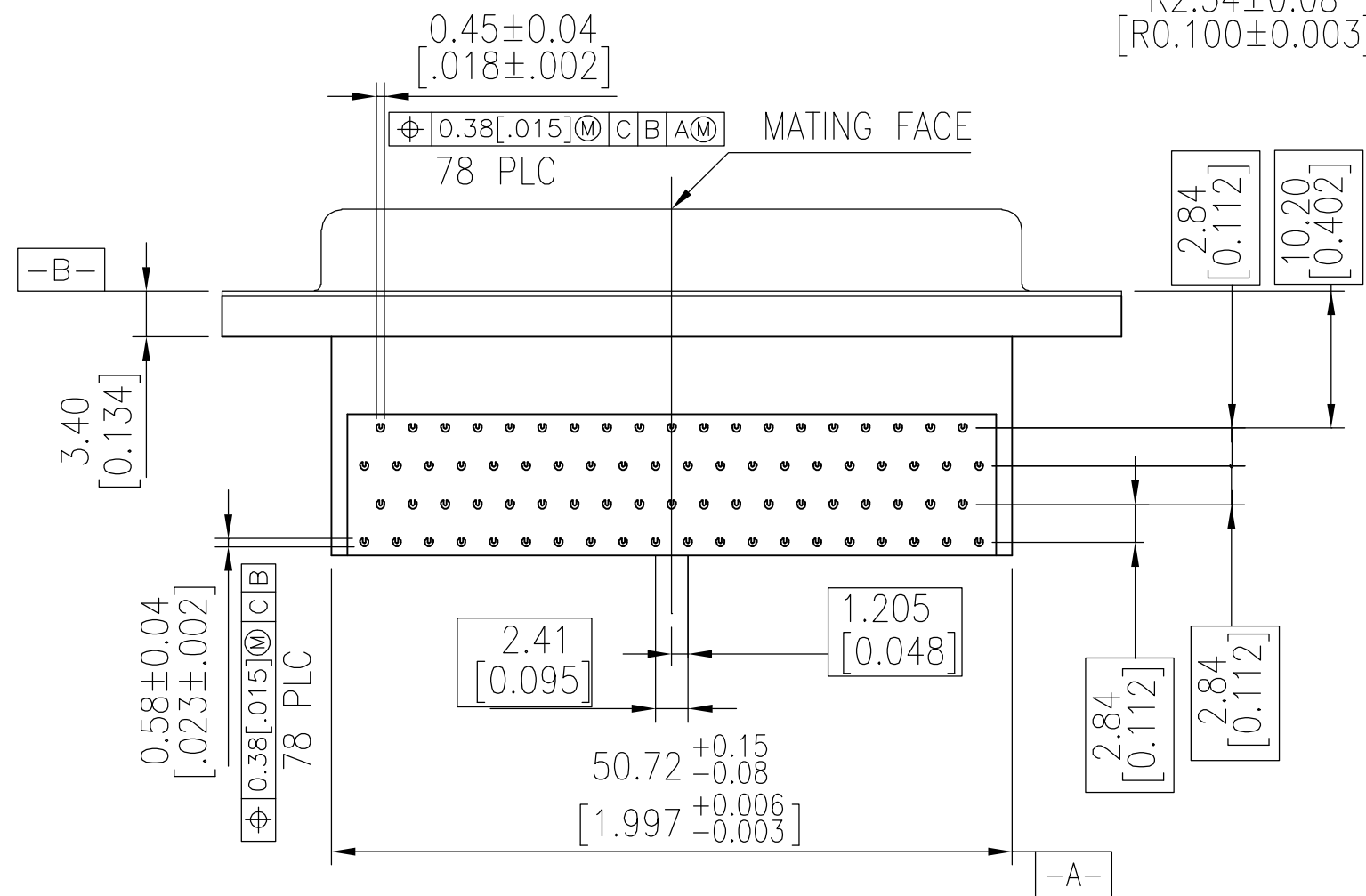
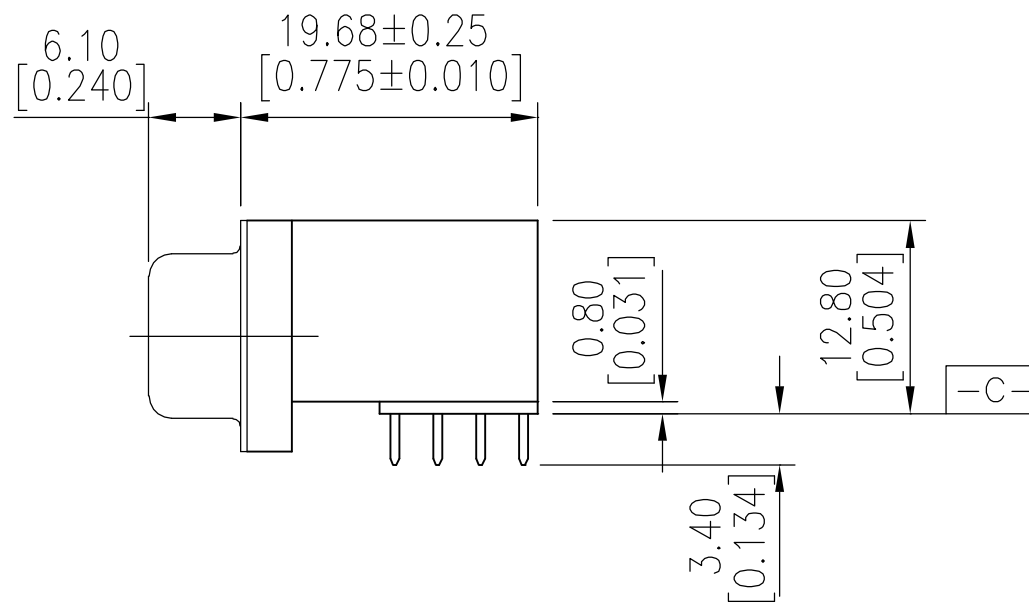
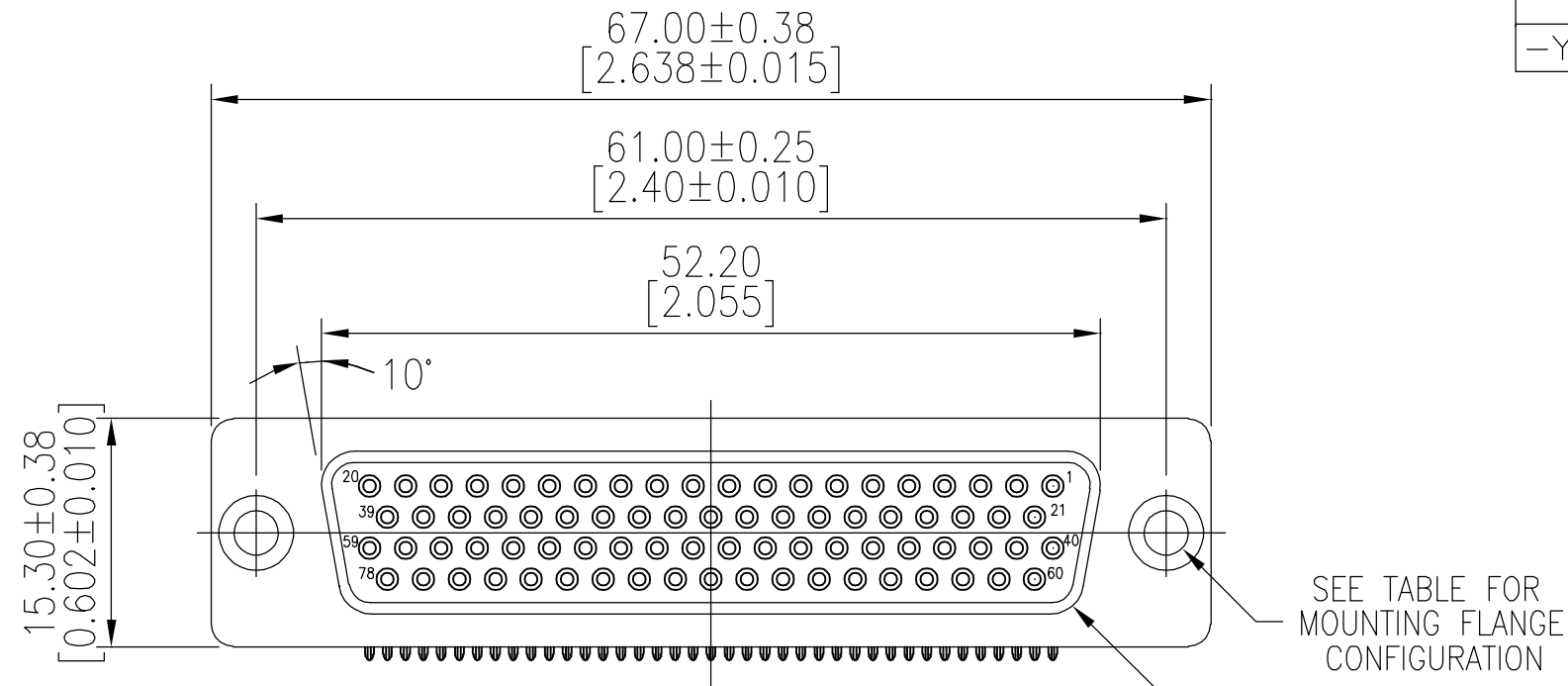


- HOUSING MATERIAL: PBT, GLASS FILLED, BLACK, UL 94V-0 RATED.
- CONTACT MATERIAL: PHOSPHOR BRONZE.
- CONTACT FINISH: GOLD PLATE IN MATING AREA (SEE TABLE), 120μ" MIN TIN PLATE ON SOLDER TAIL, BOTH OVER 50μ" MIN NICKEL UNDERPLATE.
- SHELL: STEEL, NICKEL PLATE.

5 FOUR DIGIT DATE CODE IN THIS FORMAT.

Year 01 45 Manufacturing Week

6 DATUMS -X- & -Y- TO BE ESTABLISHED BY CUSTOMER.



Detail A

Tray	Detail A	Gold flash	5788147-3
Tray	Detail A	15μ" MIN	5788147-2
Tray	Detail A	30μ" MIN	5788147-1
Packaging	Mounting Flange Configuration	CONTACT MATING AREA FINISH	PART NUMBER

DIMENSIONS:		TOLERANCES UNLESS OTHERWISE SPECIFIED:		APVD		NAME	
mm		0 PLC ± -	1 PLC ± 0.30	22SEPO5	B. MCMASTER	Tyco Electronics Corporation	
		2 PLC ± 0.20	3 PLC ± 0.10	22SEPO5	S. BOLASH	Harrisburg, PA 17105-3608	
		4 PLC ± -	ANGLES ± 2'	22SEPO5	M. WALMSLEY	Tyco Electronics Corporation	
MATERIAL	FINISH	WEIGHT	SCALE	SIZE	CAGE CODE	DRAWING NO	RESTRICTED TO
-	-	-	4:1	A2	00779	C=5788147	-
CUSTOMER DRAWING				SCALE	SHEET	REV	
				4:1	1 of 1	0	