

## Cover - BC 35,6 DKL S TRANS - 2896115


Please be informed that the data shown in this PDF Document is generated from our Online Catalog. Please find the complete data in the user's documentation. Our General Terms of Use for Downloads are valid (<http://download.phoenixcontact.com>)



Transparent cover for installation housing BC 35,6...



### Key commercial data

|                      |  |
|----------------------|--|
| Packing unit         | 1 PCE  |
| GTIN                 | <br>4 046356 096522 |
| Custom tariff number | 85389099   |
| Country of origin    | GERMANY  |

### Technical data

#### General

|                  |               |
|------------------|---------------|
| Housing type     | Housing cover |
| Housing material | Polyamide     |
| Color            | transparent   |

#### Dimensions

|       |         |
|-------|---------|
| Width | 35.6 mm |
|-------|---------|

#### Technical data

|   |    |
|---|----|
| Inflammability class according to UL 94 | V0 |
|---|----|

### Classifications

#### ETIM

|          |          |
|----------|----------|
| ETIM 2.0 | EC001031 |
| ETIM 3.0 | EC001031 |

# Cover - BC 35,6 DKL S TRANS - 2896115

## Classifications

### ETIM

|          |          |
|----------|----------|
| ETIM 4.0 | EC001031 |
| ETIM 5.0 | EC002498 |

### UNSPSC

|               |          |
|---------------|----------|
| UNSPSC 11     | 31261501 |
| UNSPSC 12.01  | 31261501 |
| UNSPSC 13.2   | 31261501 |
| UNSPSC 6.01   | 31261501 |
| UNSPSC 7.0901 | 31261501 |

### eCl@ss

|            |          |
|------------|----------|
| eCl@ss 4.0 | 27180401 |
| eCl@ss 4.1 | 27180401 |
| eCl@ss 5.0 | 27180506 |
| eCl@ss 5.1 | 27180506 |
| eCl@ss 6.0 | 27180802 |
| eCl@ss 7.0 | 27182702 |

## Approvals

### Approvals

---

#### Approvals

UL Recognized / GOST / GOST

---


#### Ex Approvals

---

#### Approvals submitted

---

### Approval details

|   |
|---|
| UL Recognized  |
|---|

# Cover - BC 35,6 DKL S TRANS - 2896115

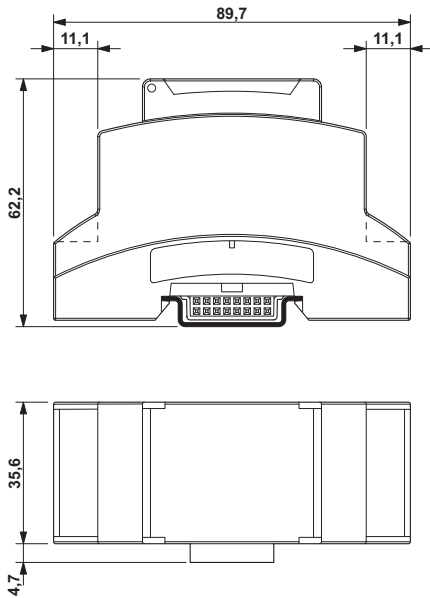
## Approvals

GOST

GOST

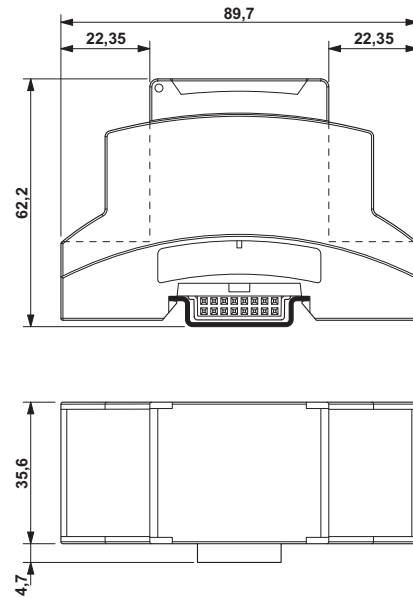
## Drawings

Dimensioned drawing



The dimensional drawing shows the item with the upper and lower parts of the housing

Dimensioned drawing



The dimensional drawing shows the item with the upper and lower parts of the housing