


# BC 107,6 DKL S TRANS

Order No.: 2896131

<http://eshop.phoenixcontact.de/phoenix/treeViewClick.do?UID=2896131>

Transparent cover for installation housing BC 107.6...

**Commercial data**

GTIN (EAN)	
sales group	F060
Pack	10 pcs.
Customs tariff	85472000
Catalog page information	Page 555 (CC-2009)

**Product notes**WEEE/RoHS-compliant since:  
02/05/2007

<http://www.download.phoenixcontact.com>  
Please note that the data given here has been taken from the online catalog. For comprehensive information and data, please refer to the user documentation. The General Terms and Conditions of Use apply to Internet downloads.

**Technical data****General**

Housing type	Housing cover
Color	transparent

**Dimensions / positions**

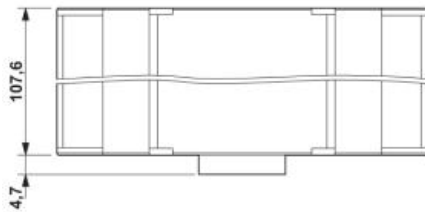
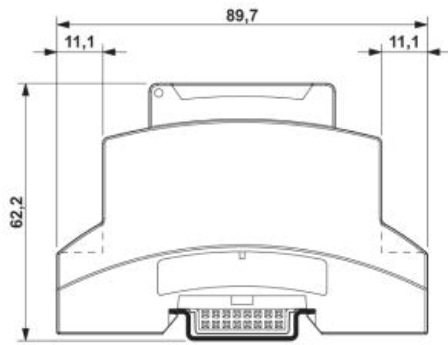
Width	107.6 mm
-------	----------

**Technical data**

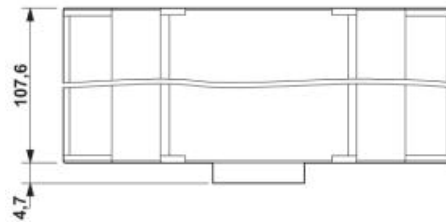
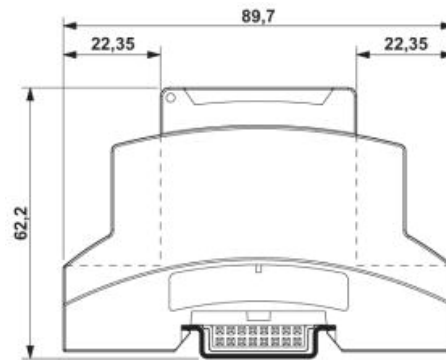
Inflammability class acc. to UL 94	V0
------------------------------------	----

**Diagrams/Drawings**

Dimensioned drawing



The dimensional drawing shows the item along with the lower part of the housing (terminal installation depth 11.1 mm) and the housing cover



The dimensional drawing shows the item along with the lower part of the housing (terminal installation depth 22.35 mm) and the housing cover

**Address**

PHOENIX CONTACT Inc., USA  
586 Fulling Mill Road  
Middletown, PA 17057, USA  
Phone (800) 888-7388  
Fax (717) 944-1625  
<http://www.phoenixcon.com>



© 2010 Phoenix Contact  
Technical modifications reserved;