


BC 161,6 DKL S TRANS

Order No.: 2278542

<http://eshop.phoenixcontact.de/phoenix/treeViewClick.do?UID=2278542>

Transparent cover for installation housing BC 161,6...

Commercial data

| | |
|--------------------------|--|
| GTIN (EAN) |  |
| sales group | F060 |
| Pack | 10 pcs. |
| Customs tariff | 85472000 |
| Catalog page information | Page 556 (CC-2009) |

Product notesWEEE/RoHS-compliant since:
06/04/2008

<http://www.download.phoenixcontact.com>
Please note that the data given here has been taken from the online catalog. For comprehensive information and data, please refer to the user documentation. The General Terms and Conditions of Use apply to Internet downloads.

Technical data**General**

| | |
|--------------|---------------|
| Housing type | Housing cover |
| Color | transparent |

Dimensions / positions

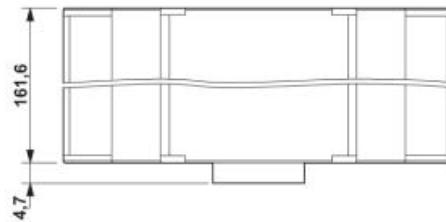
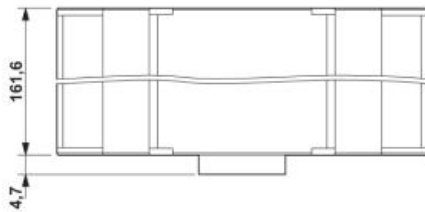
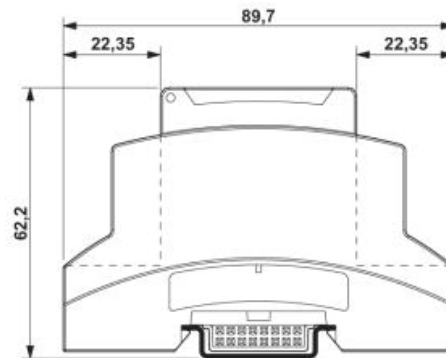
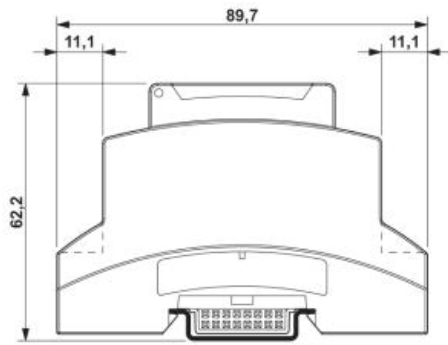
| | |
|-------|----------|
| Width | 161.6 mm |
|-------|----------|

Technical data

| | |
|------------------------------------|----|
| Inflammability class acc. to UL 94 | V0 |
|------------------------------------|----|

Diagrams/Drawings

Dimensioned drawing



The dimensional drawing shows the item with the upper and lower parts of the housing

The dimensional drawing shows the item with the upper and lower parts of the housing

Address

PHOENIX CONTACT Inc., USA
586 Fulling Mill Road
Middletown, PA 17057, USA
Phone (800) 888-7388
Fax (717) 944-1625
<http://www.phoenixcon.com>



© 2010 Phoenix Contact
Technical modifications reserved;